

FPGA/CPLD DIL MODULE

FPGA GOP DIL Module

Introduction

The GOP_XC3S200 is a mini-module composed of a FPGA device and a configuration memory with a PAL/GAL compatible 24 pin DIL footprint.

Features

- Xilinx Spartan-3 FPGA with platform flash
- SRAM Memory and SPI Flash
- Onboard clock oscillator for audio or RS232 applications
- Solder jumpers for additional ground connections
- Voltage translators for 5V I/O tolerance
- Supply voltage 3,5-5,5V, core voltage switching regulator

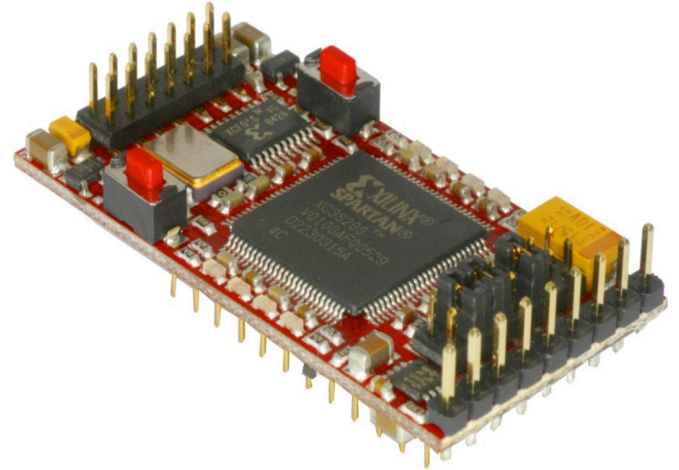


Figure 2: Spartan-3 GOP DIL-Module

Overview

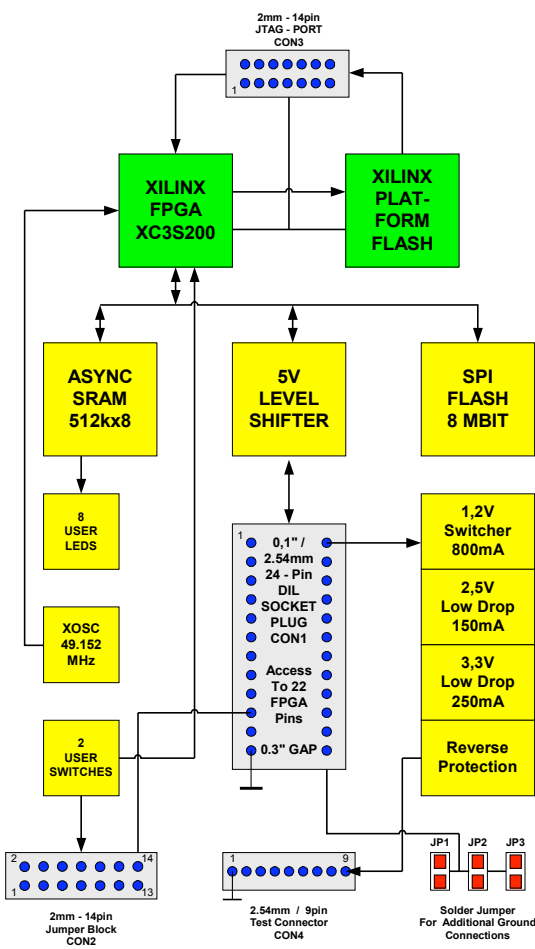


Figure 1: Spartan-3 GOP DIL Overview

Applications

- Upgrade from PAL/GAL devices
- Fast evaluation of Xilinx Spartan-3 FPGAs
- Serial data processing like Networking, USB, Audio, SPI, etc..
- Robotics
- Rapid Prototyping
- Battery operated equipment
- Hardware Platform for VHDL/VERILOG logic design courses
- High logic density applications at tight space constraints

Specifications

Product	GOP_XC3S200
Xilinx FPGA	XC3S200-4VQ100 Spartan 3
Platform Flash	XCF01S, 1 Mbit
SPI Flash	8 Mbit
Memory	4 Mbit SRAM, 512k x 8, 55ns
Clock	49.152 MHz
Signals	2 status LEDs, 8 low user LEDs
Buttons	2 user tact switches
Power Supply	3,5V to 5.5V (on Pin24)
Dimensions	47mm x 23,5mm
Weight	12g