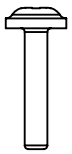


X1



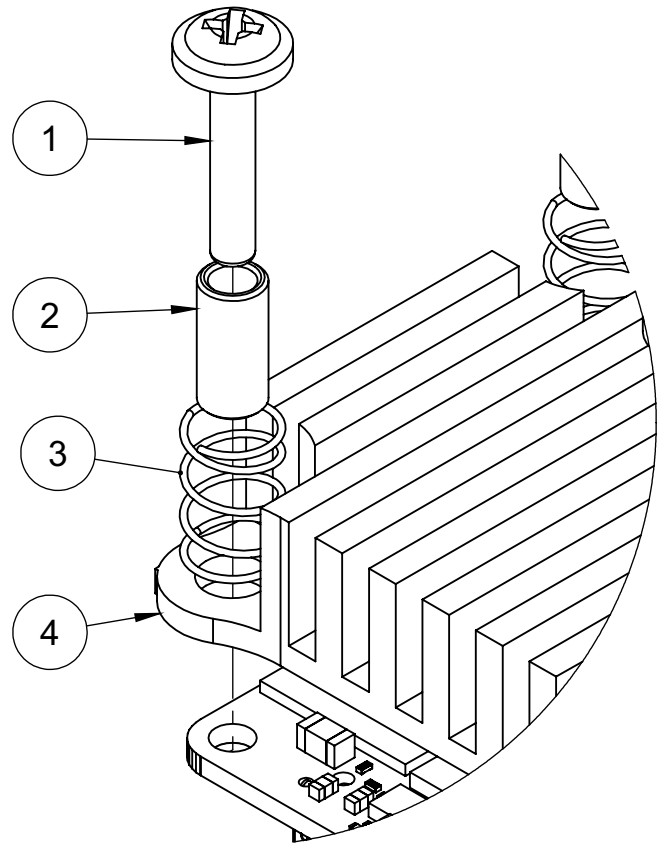
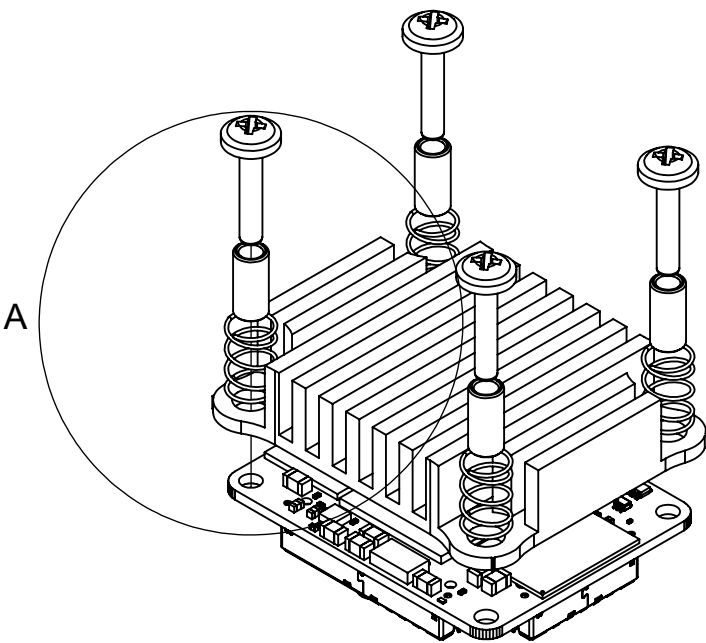
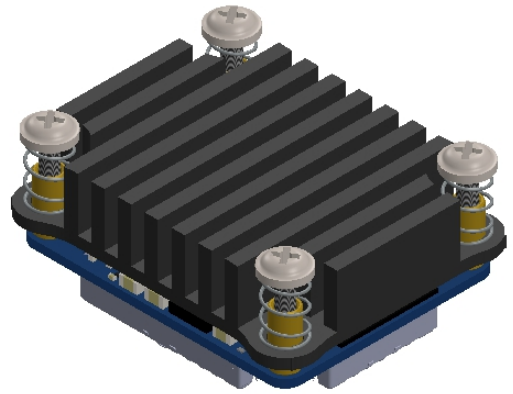
X4



X4

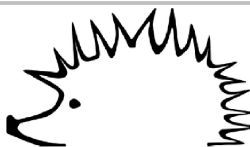


X4



DETAIL A
SCALE 2 : 1

Nr.	Description
1	M3x16 Screw
2	10mm spacer
3	Compression Spring
4	FPGA Heatsink

DO NOT SCALE DRAWING	REVISION	2
TITLE: FPGA Heatsink Assembly		
		Hedgehog O Ü Riia 185a 51014 Tartu Estonia
DWG NO.	A4	
SCALE:1:1	SHEET 1 OF 1	

WEIGHT: 54 g