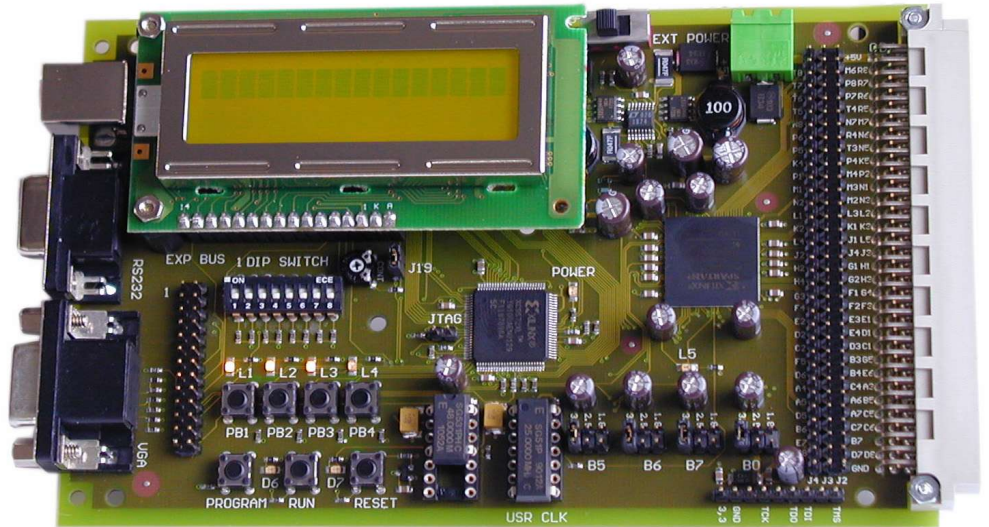


FPGA DEVELOPMENT SYSTEMS

Spartan IIE Series

Features

- Large FPGA resources for medium-sized design projects by using 300k gate Xilinx Spartan-IIE FPGA, 8MBit Flash memory (program memory), 4 Mbit SRAM (data memory)
- Outstanding power supply concept: Power the whole board by USB! Optionally, an external supply input may be used.
- USB configuration download. Just make an USB connection to your PC and start our PC tools – no additional driver installation is required- and download your bitstream to the on-board Flash.
- Benefit from rich peripherals like VGA, RS-232, USB, LCD, push-buttons, status LEDs
- Up to 100 free I/Os are available on standard, robust VG-96 connector



Specifications

	TE-XC2SE
Xilinx Spartan-IIE FPGA	XC300E FPGA 300.000 System Gates 6912 Logic Cells, 4 DLL 64kBit Block RAM 182 I/O (~100 free)
Flash-ROM	8 Mbit (512 k x 16 Bit)
Static RAM	4 Mbit (256 k x 16 Bit)
LC-Display	2 rows, 16 character display w. Backlight
USB	USB 1.1 device macro available.
VGA output	VGA-Header w. 16 color resistor network DAC
Buttons/ Signals	8 LED, 8 push-buttons, 8 DIP-switch
External connectors	JTAG, VG-96, RS-232, Aux Power
Dimensions	100 x 160 mm (3,94 x 6,3 inch)

Applications

- Training and Education
- FPGA-based System-On-Chip development
- Prototyping
- Industrial measurement and control

Introduction

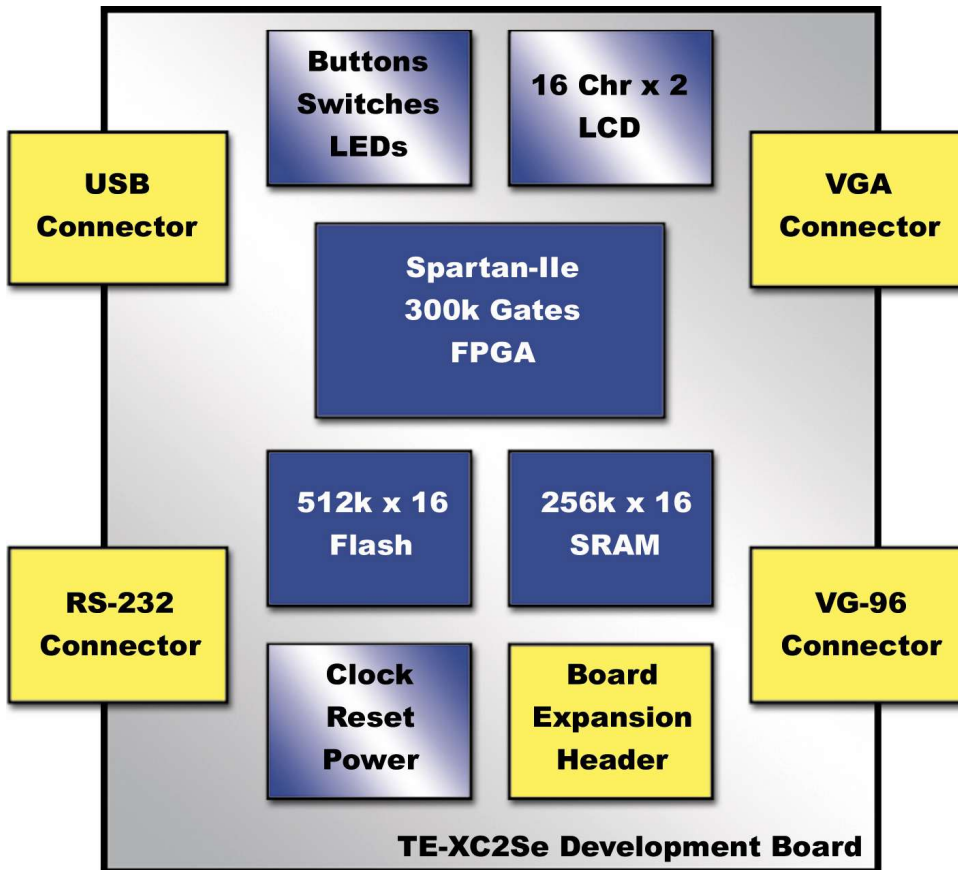
The TE-XC2SE is a development platform based on Xilinx Spartan-IIE FPGA. With its rich peripheral components, the board is tailored to Soft-CPU core design like Xilinx MicroBlaze.



Trenz Electronic GmbH
Brendel 20 | 32257 Bünde|Germany
CEO: Thorsten Trenz
Local Court:
Amtsgericht Bad Oeynhausen | HRB7185
fon+49 (0) 5223 / 41652
fax+49 (0) 5223 / 48945
e-mail info@trenz-electronic.de
<http://www.trenz-electronic.de>

Trenz Electronic GmbH here by disclaims any representations or warranty that this product is compatible with any particular 3rd party software and/or hardware except those mentioned in this document. Purchasers must determine for themselves the suitability and compatibility of the hardware and software in each and every particular instance.
©2004 Trenz Electronic GmbH. All rights reserved. Reproduction in whole or in part without written permission is prohibited. Xilinx, WebPack and Spartan are a registered trademarks of Xilinx Inc. All trademarks are the property of their respective companies. Features and specifications are subject to change without notice.

FPGA DEVELOPMENT SYSTEMS



Packing List

- TE-XC2SE FPGA board, incl. LCD
- USB cable
- CD-ROM, containing:
 - Xilinx WebPACK ISE design environment
 - IP-modules encapsulation standard functionality
 - Documentation, Tutorials and Application Notes

(Front plate available on request.)

Documentation provided in English.

Ordering Information:

TE-XC2SE
(Order code: TE-0126-00)

Bundled Software

- FPGA design environment, including design entry, simulation, synthesis
- Read-to-Use IP-Modules encapsulating standard functionality
- PC tool for configuration download via USB
- Documentation, Tutorials, and comprehensive Application Notes

All documentation provided in English.

Local Contact

Trenz Electronic GmbH
Brendel 20, 32257 Bünde, Germany
info@trenz-electronic.de
<http://www.trenz-electronic.de>



Trenz Electronic GmbH
Brendel 20 | 32257 Bünde|Germany
CEO: Thorsten Trenz
Local Court:
Amtsgericht Bad Oeynhausen | HRB7185
fon+49 (0) 5223 / 41652
fax+49 (0) 5223 / 48945
e-mail info@trenz-electronic.de
<http://www.trenz-electronic.de>

Trenz Electronic GmbH here by disclaims any representations or warranty that this product is compatible with any particular 3rd party software and/or hardware except those mentioned in this document. Purchasers must determine for themselves the suitability and compatibility of the hardware and software in each and every particular instance.
©2004 Trenz Electronic GmbH. All rights reserved. Reproduction in whole or in part without written permission is prohibited. Xilinx, WebPack and Spartan are a registered trademarks of Xilinx Inc. All trademarks are the property of their respective companies. Features and specifications are subject to change without notice.
Document: pbxc2se, Rev. 1.04 as of 20040802