

REVISIONS

0	TW	L GELIN
9/10/2015	ECN-258548	
ISSUE FOR REVIEW		

NOTES:

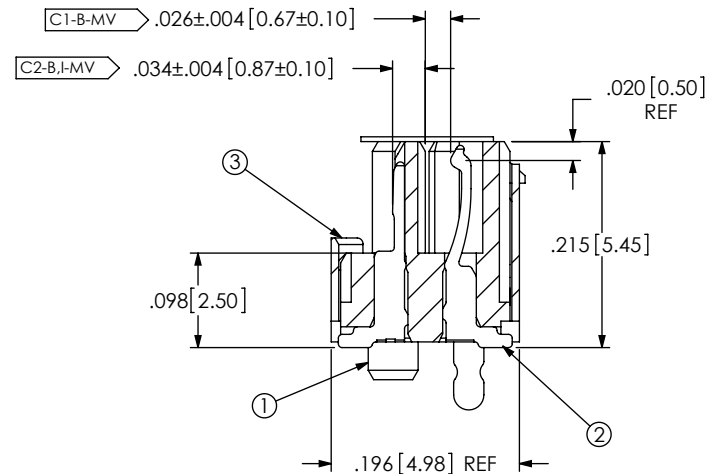
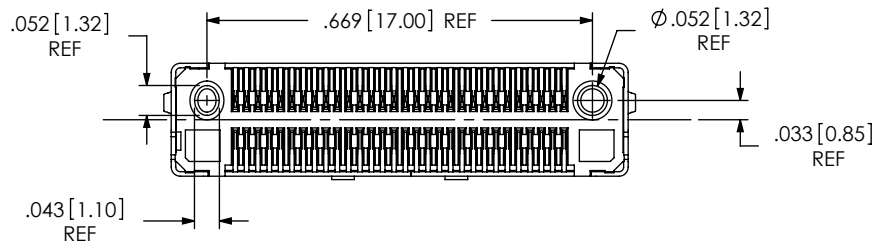
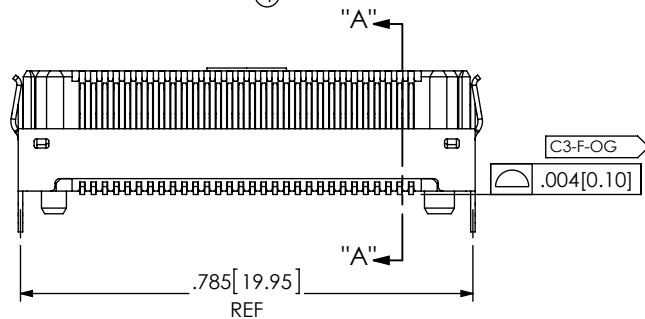
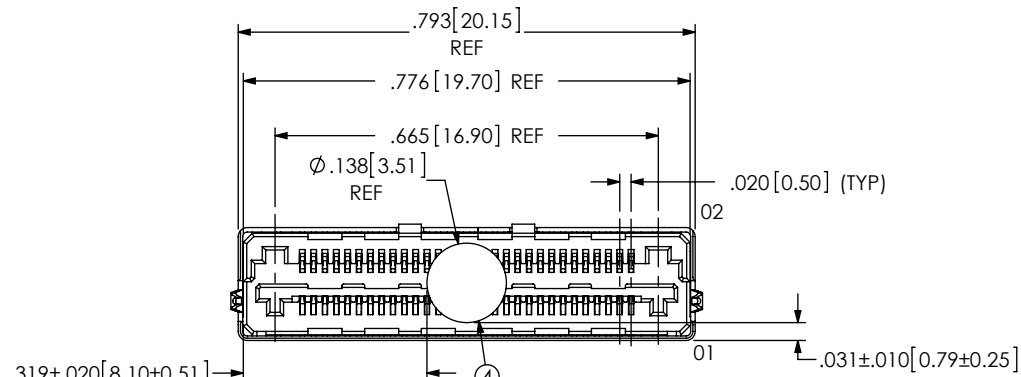
1. SET UP FOR CUSTOMER TRACKING IS NOT AVAILABLE AS STANDARD. C4-B-VE
2. CUSTOMER PART # 24903.
3. C1-B-MV REPRESENTS A CRITICAL DIMENSION.
4. MAXIMUM BURR ALLOWANCE: 0.038[.0015].
5. MINIMUM PUSHOUT FORCE: 2.22N[.5 LBS].
6. WHEN MATING WITH ANOTHER LSHM-DV, PIN 01 WILL MATE WITH CONTACT 02 ON MATING CONNECTOR.
7. MEASURE FROM TOP OF VERTICAL WALL.
8. PARTS TO BE PACKAGED IN TAPE & REEL.

NOT RELEASED FOR PRODUCTION

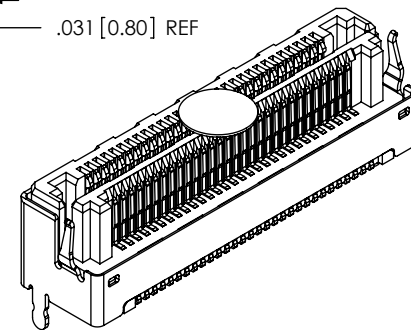
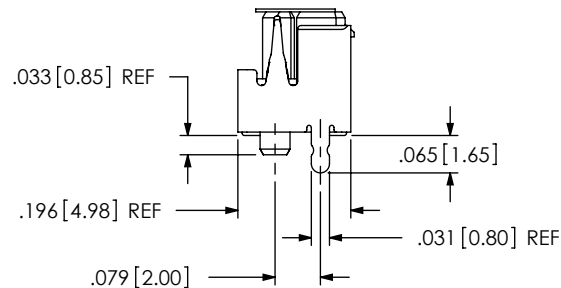
USE FOR QUOTING, PRELIMINARY DESIGN, PROTOTYPING AND INFORMATIONAL PURPOSES ONLY

BY SIGNING THIS DOCUMENT YOU ARE ACCEPTING THE CONDITIONS SET WITHIN. YOUR REQUIREMENTS MUST BE LISTED WITHIN THIS DRAWING. WHERE NO DIRECTION FROM THE CUSTOMER IS IDENTIFIED SAMTEC'S PROCESS REQUIREMENTS WILL BE USED.

DATE: _____
 COMPANY: _____
 CUSTOMER SIGNATURE: _____
 PRINTED NAME: _____
 PHONE NO: _____
 EXCEPTIONS: _____



SECTION "A"-"A"
SCALE 5 : 1



UNLESS OTHERWISE SPECIFIED, DIMENSIONS ARE IN INCHES.
 TOLERANCES ARE:
 DECIMALS ANGLES
 .XX: ±.01[.3] 2°
 .XXX: ±.005[.13]
 .XXXX: ±.0020[.051]

PROPRIETARY NOTE
 THIS DOCUMENT CONTAINS CONFIDENTIAL AND PROPRIETARY INFORMATION AND ALL DESIGN, MANUFACTURING, REPRODUCTION, USE, PATENT RIGHTS AND SALES RIGHTS ARE EXPRESSLY RESERVED BY SAMTEC, INC. THIS DOCUMENT SHALL NOT BE DISCLOSED, IN WHOLE OR PART, TO ANY UNAUTHORIZED PERSON OR ENTITY NOR REPRODUCED, TRANSFERRED OR INCORPORATED IN ANY OTHER PROJECT IN ANY MANNER WITHOUT THE EXPRESS WRITTEN CONSENT OF SAMTEC, INC.



520 PARK EAST BLVD, NEW ALBANY, IN 47150
 PHONE: 812-944-6733 FAX: 812-948-5047
 e-Mail: info@SAMTEC.com code 53322

DO NOT SCALE DRAWING SHEET SCALE: 3:1
 PLATING:
 CONTACT AREA: .000010 GOLD OVER .000050 NICKEL
 REMAINDER: .000100 REF TIN OVER .000050 NICKEL

DESCRIPTION:
 0.50MM TERMINAL/SOCKET COMBO

DWG. NO.
 REF-189017-02

BY: WHELAN 09/10/15 SHEET 1 OF 1

F:\dwg\sw\ref\189000\REF-189017-02.SLDDRW

ITEM NO.	PART NUMBER	QUANTITY	MATERIAL
1	LSHM-30-04.0-DV-A	1.0000	VECTRA E130i, COLOR:BLACK
2	C-185-03-LM	60.000	PHOS BRONZE, 521 EXTRA SPRING TEMPER
3	SH26-30-04.0-DV-N	1.0000	STAINLESS STEEL SUS-304
4	K-DOT-.138-.250-.005	1.0000	POLYIMIDE FILM
5	CT-LSHM031MS	1.46200	CONDUCTIVE POLYMER