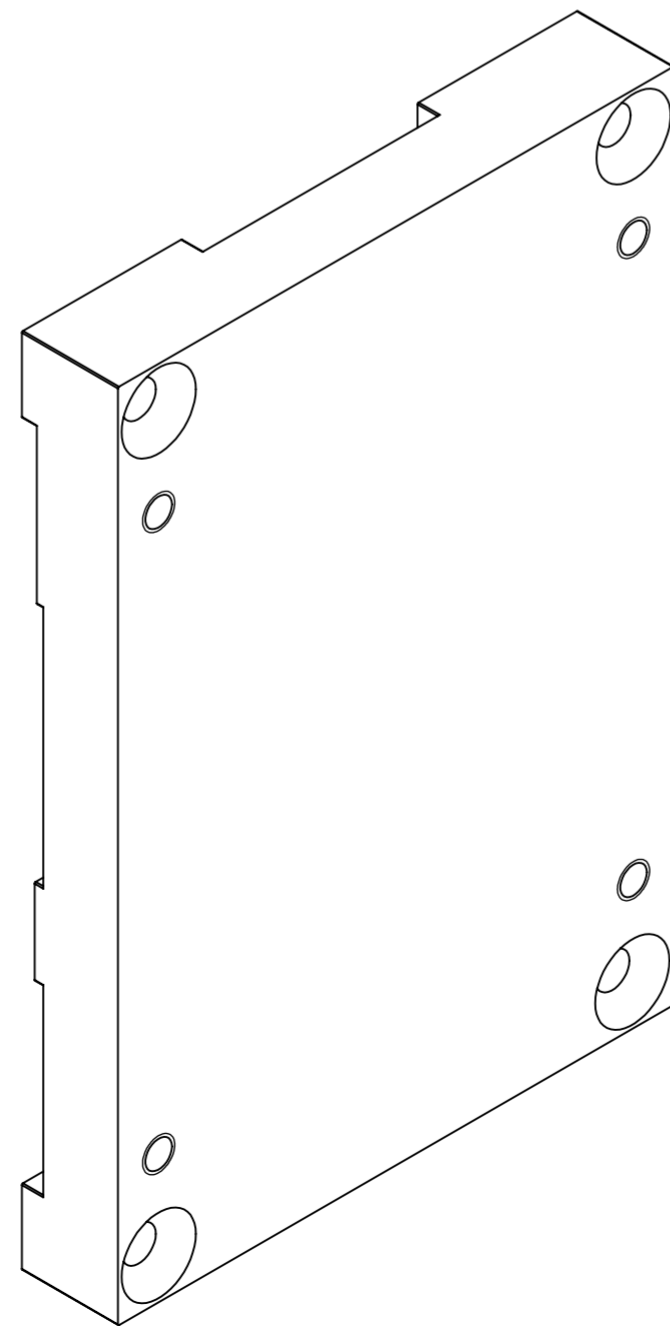
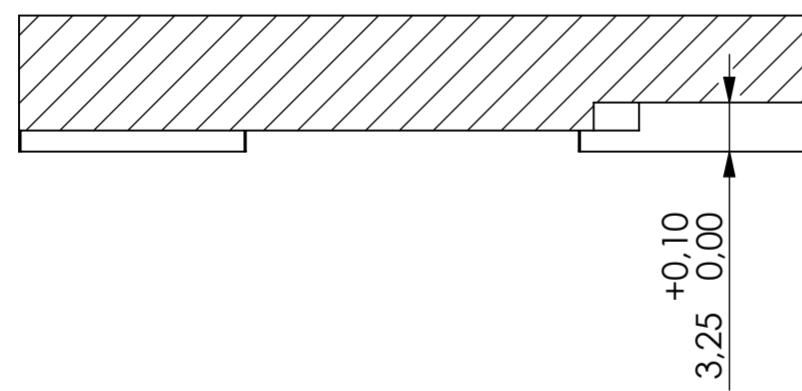
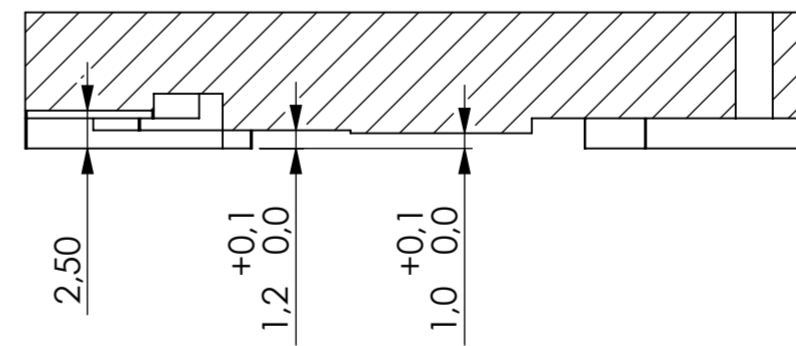


D-D



C-C



3,2 / 1,6



UNLESS OTHERWISE SPECIFIED: DIMENSIONS ARE IN MILLIMETERS		FINISH:		DEBURR AND BREAK SHARP EDGES	
SURFACE FINISH:				DO NOT SCALE DRAWING	
TOLERANCES:				REVISION B	
LINEAR:				Beendorfer Str. 23, 32609 Hüllhorst, GERMANY	
ANGULAR:				www.trenz-electronic.de	
DRAWN	NAME	SIGNATURE	DATE	TITLE:	
CHK'D	DARM		12.08.2020	Kühlkörper f.	
APP'VD				TE0807-02	
MFG				DWG NO.	
Q.A				KK0807-02a	
		MATERIAL:		A2	
		AlMgSi0,5 / EN AW 6060		SCALE:2:1	
		WEIGHT: 70,99		SHEET 1 OF 1	

DO NOT SCALE DRAWING		REVISION B	
Beendorfer Str. 23, 32609 Hüllhorst, GERMANY www.trenz-electronic.de			
TITLE: Kühlkörper f. TE0807-02			
DWG NO. KK0807-02a		A2	
SCALE:2:1		SHEET 1 OF 1	