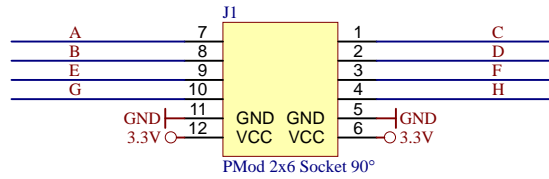
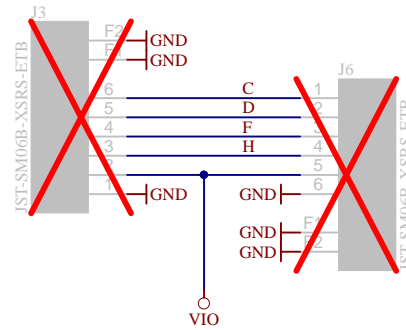
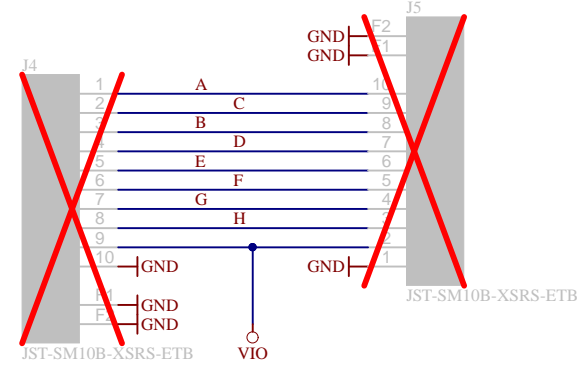


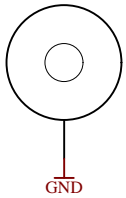
Female Header, 2.54mm, 1row, 6pol.



PMod 2x6 Socket 90°



Mount.Hole 3.2mm



Title: <b>TE0791 - XMOD_JCONN</b>		
A4	Number: <b>TE0791</b> <b>TE0791</b>	Rev. <b>01</b>
Date: <b>2016-01-25</b>	Copyright: <b>Trenz Electronic GmbH</b>	Page1 of 1
Filename: <b>TE0791.SchDoc</b>		