

1

2

3

4

A

A

B

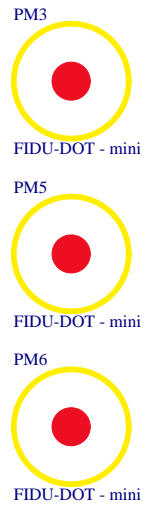
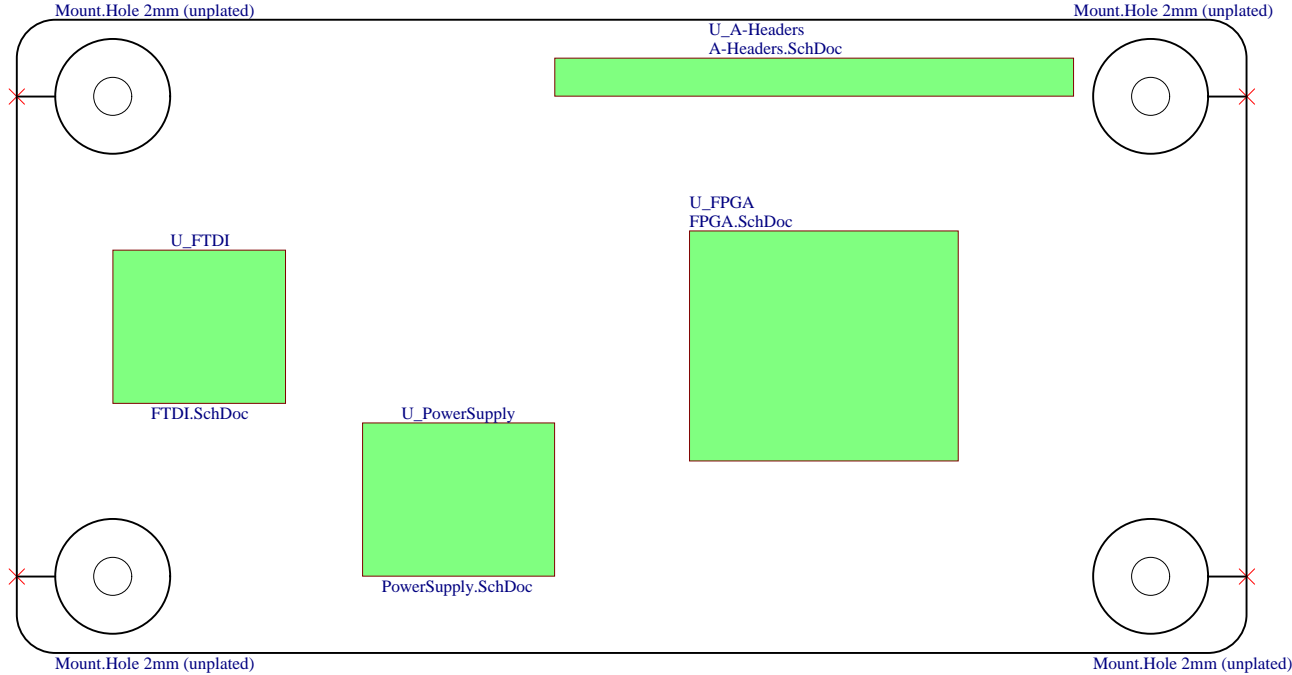
B

C

C

D

D



LOGO1
TE Logo PRINT Layer
LOGO PRINT

Serial
Serial
Serialnumber 6,3 x 6.3mm



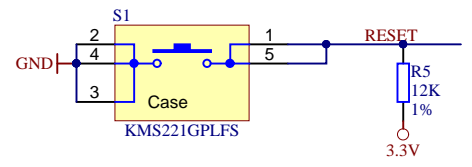
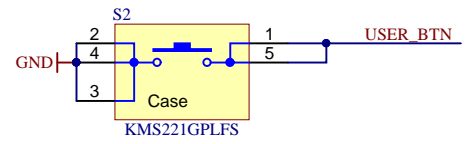
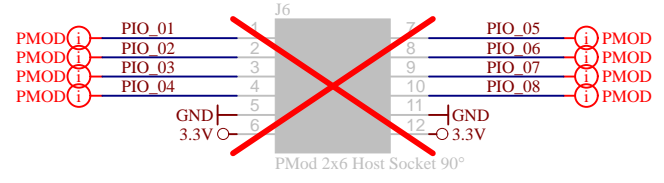
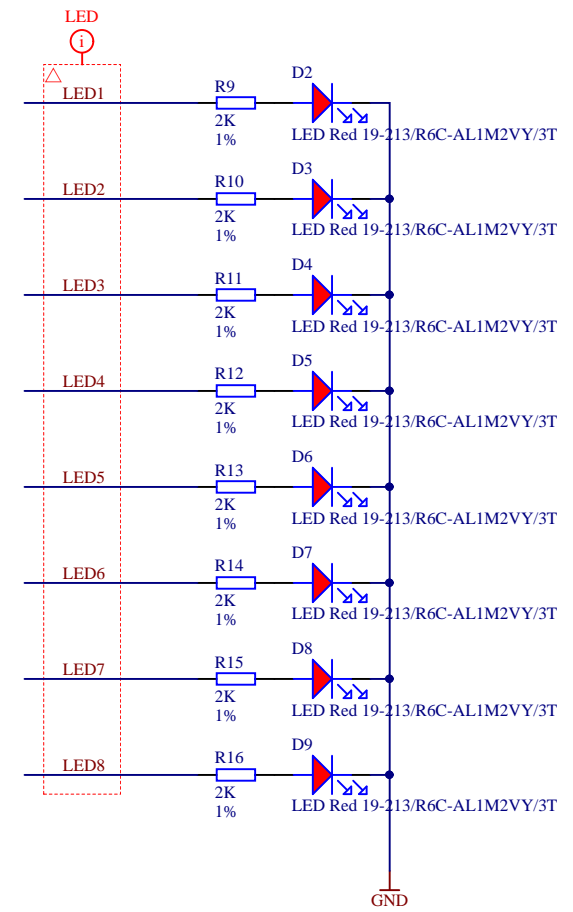
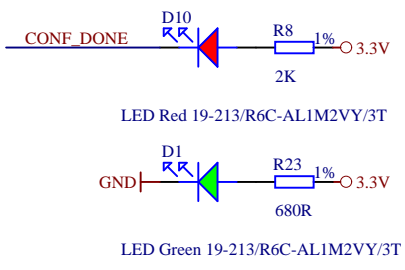
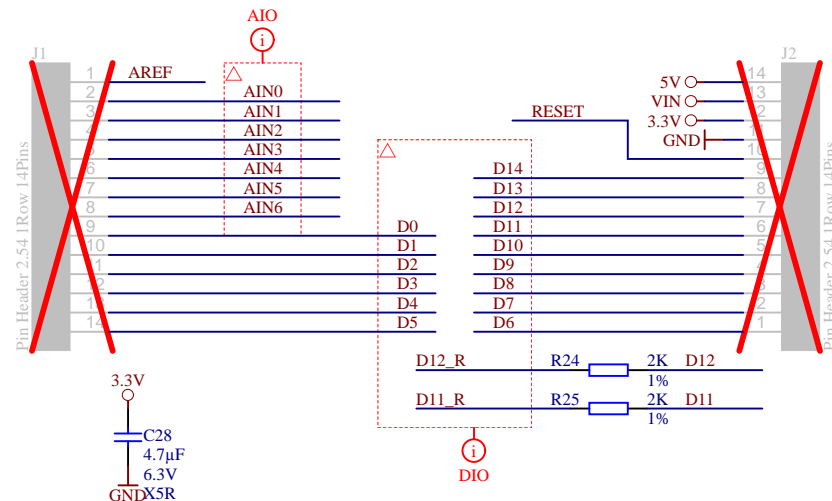
Title:		
A4	Number: TEC0117 Default	Rev. 01
Date: 2018-05-25	Copyright: Trenz Electronic GmbH	Page1 of 5
Filename: TEC0117.SchDoc		

1

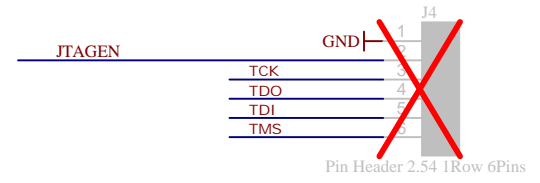
2

3

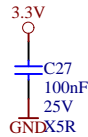
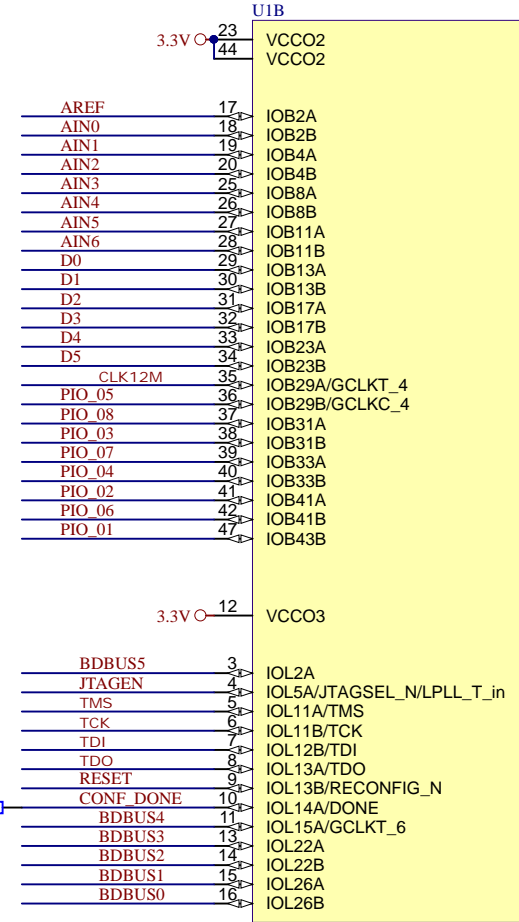
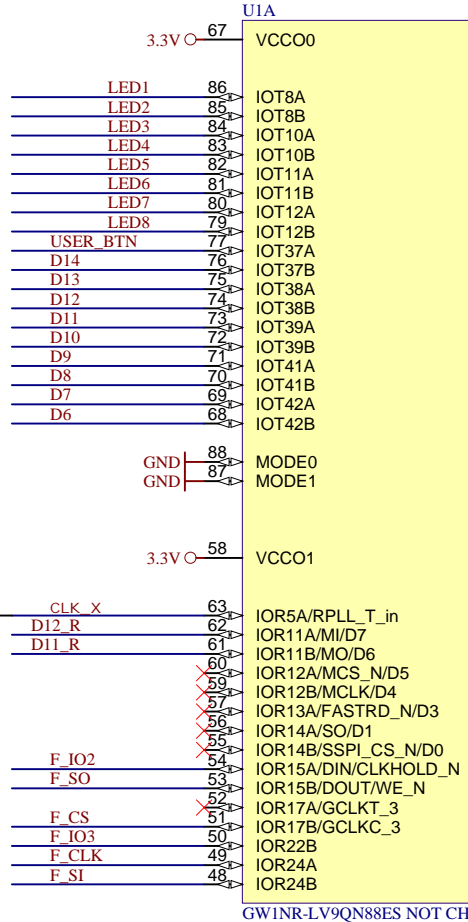
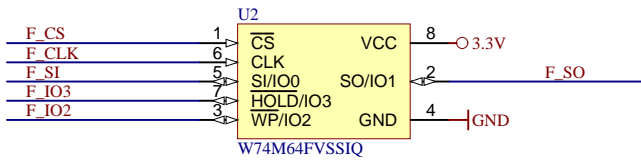
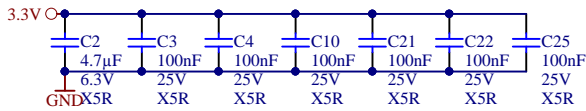
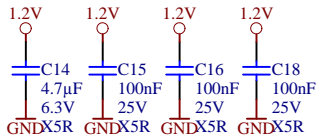
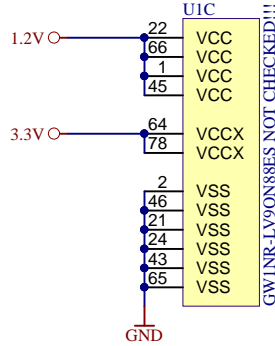
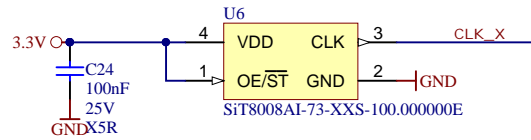
4



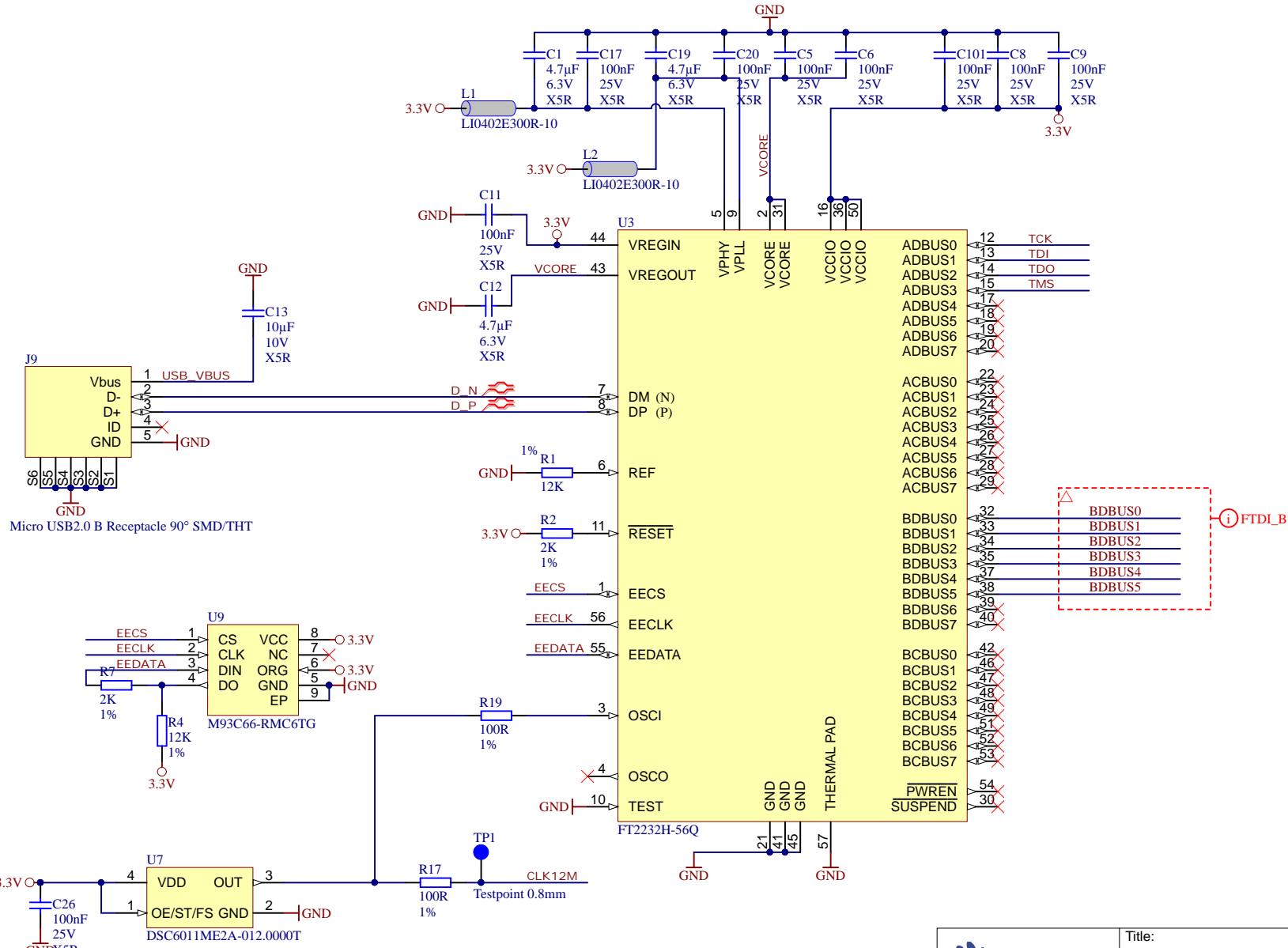
DUAL Function: JTAG or USER I/O if FT2232H not installed



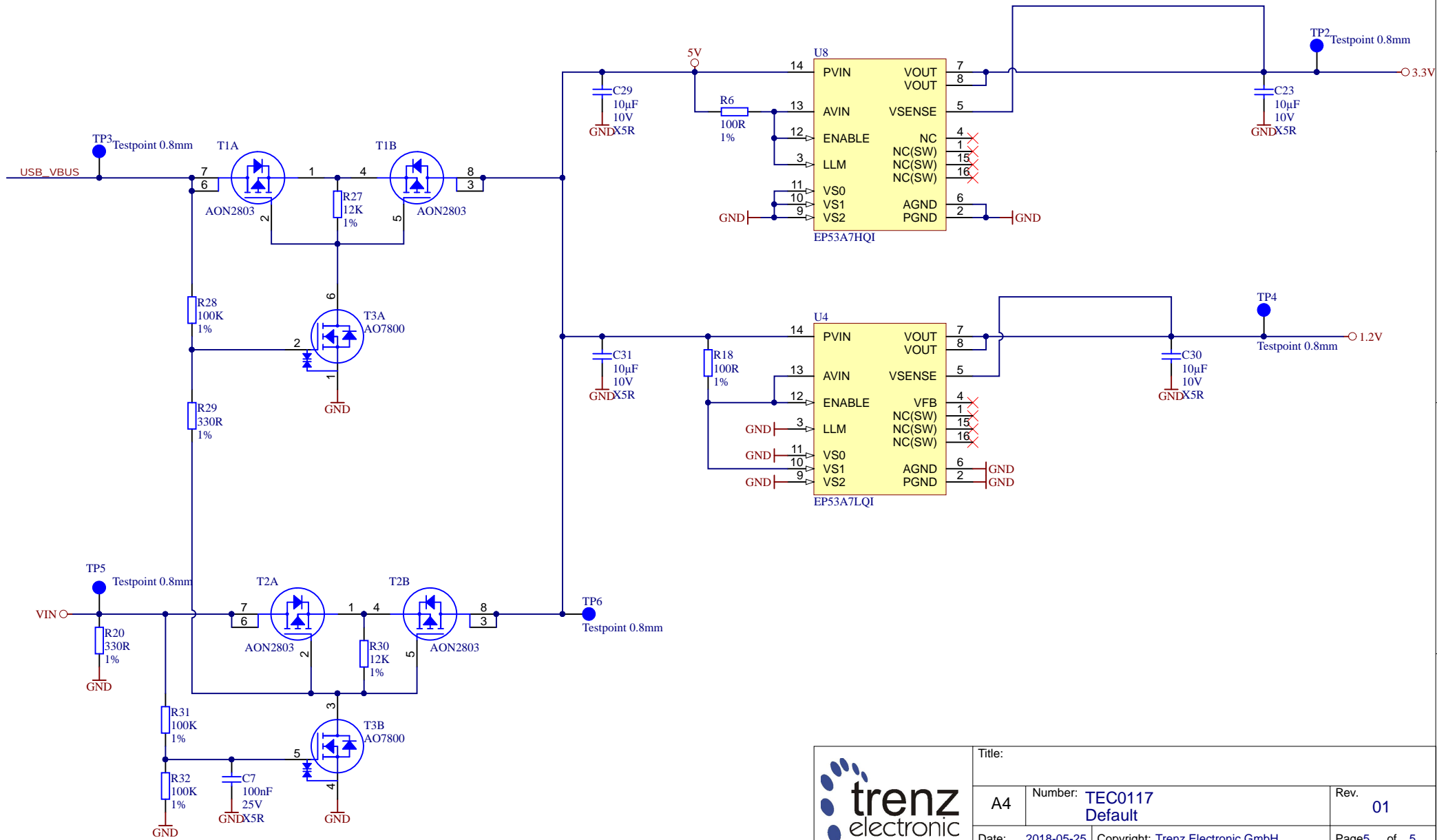
Title:		
A4	Number: TEC0117 Default	Rev. 01
Date: 2018-05-25	Copyright: Trenz Electronic GmbH	Page2 of 5
Filename: A-Headers.SchDoc		



Title:		
A4	Number: TEC0117 Default	Rev. 01
Date: 2018-05-25	Copyright: Trenz Electronic GmbH	Page3 of 5
Filename: FPGA.SchDoc		



Title:		
A4	Number: TEC0117 Default	Rev. 01
Date: 2018-05-25	Copyright: Trenz Electronic GmbH	Page4 of 5
Filename: FTDI.SchDoc		



Title:		
A4	Number: TEC0117 Default	Rev. 01
Date: 2018-05-25	Copyright: Trenz Electronic GmbH	Page 5 of 5
Filename: PowerSupply.SchDoc		