

1

2

3

4

A

A

B

B

C

C

D

D

U_A-Headers
A-Headers.SchDoc

U_FPGA
FPGA.SchDoc

Mount.Hole 2mm (unplated)

U_SENSOR_Flash_RAM
SENSOR_Flash_RAM.SchDoc

Mount.Hole 2mm (unplated)

U_PowerSupply
PowerSupply.SchDoc

Mount.Hole 2mm (unplated)

U_FTDI
FTDI.SchDoc

Mount.Hole 2mm (unplated)

PM1	PM2
FIDU-DOT - mini	FIDU-DOT - mini
PM3	PM4
FIDU-DOT - mini	FIDU-DOT - mini
PM5	PM6
FIDU-DOT - mini	FIDU-DOT - mini

LOGO1

LOGO PRINT

Serial1

Serialnumber 6,3 x 6.3mm



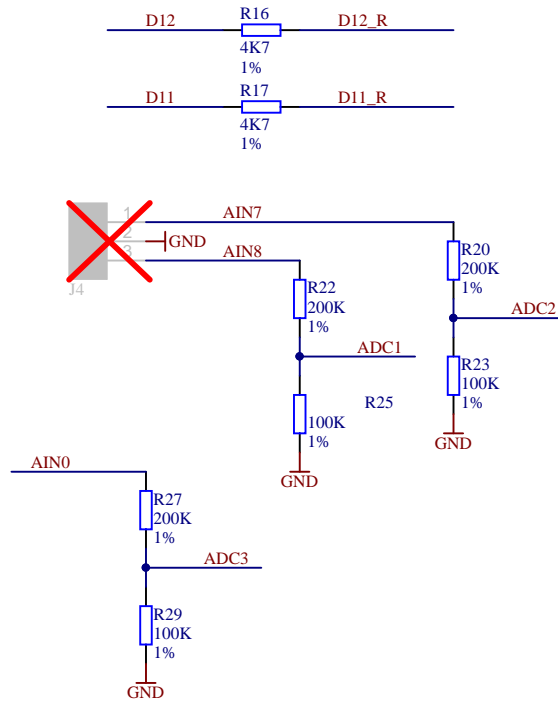
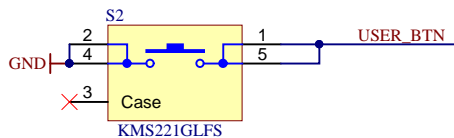
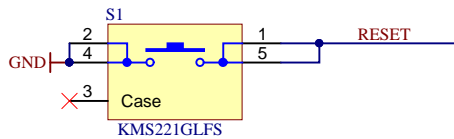
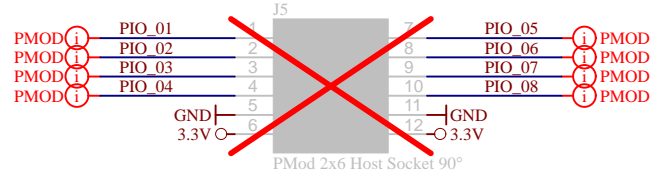
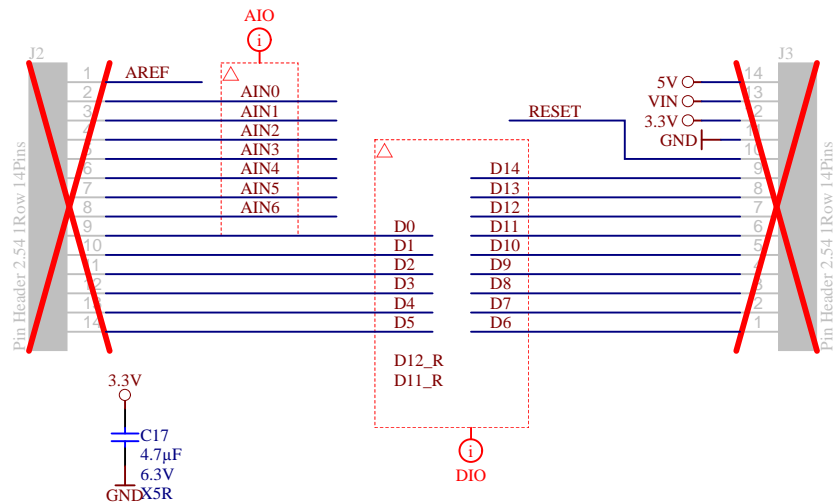
Title: XO2000		
A4	Number: TEL0001 Default	Rev. 01
Date: 2017-05-30	Copyright: Trenz Electronic GmbH	Page1 of 6
Filename: TEL0001.SchDoc		

1

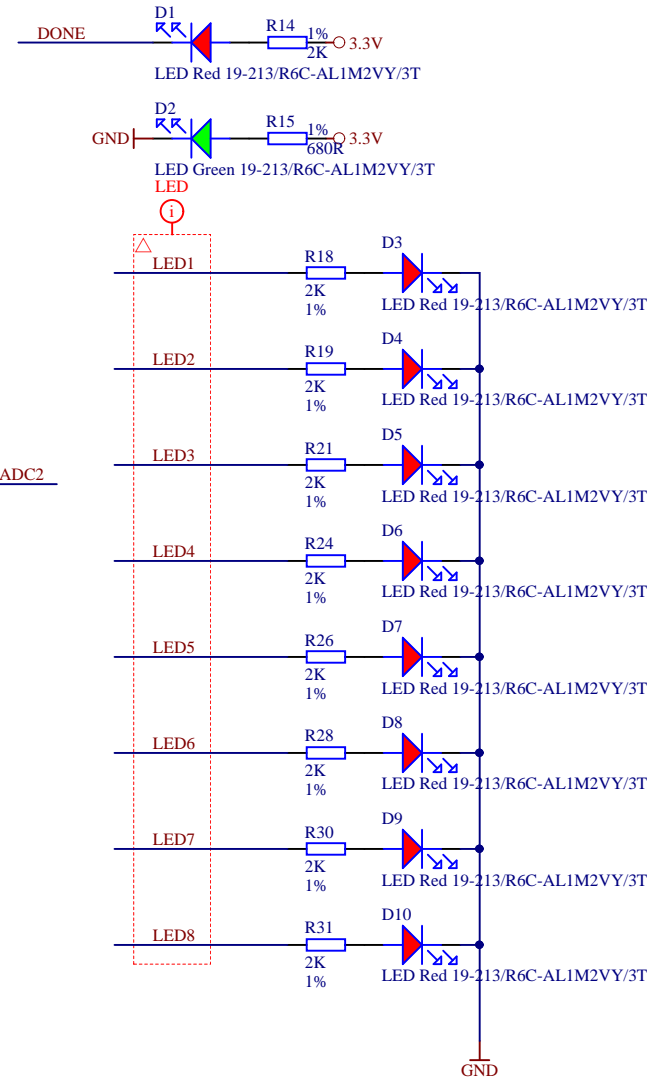
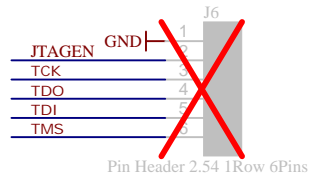
2


3

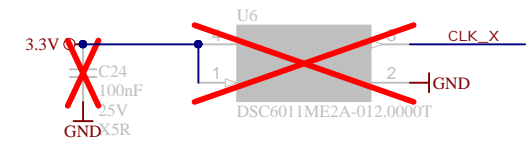
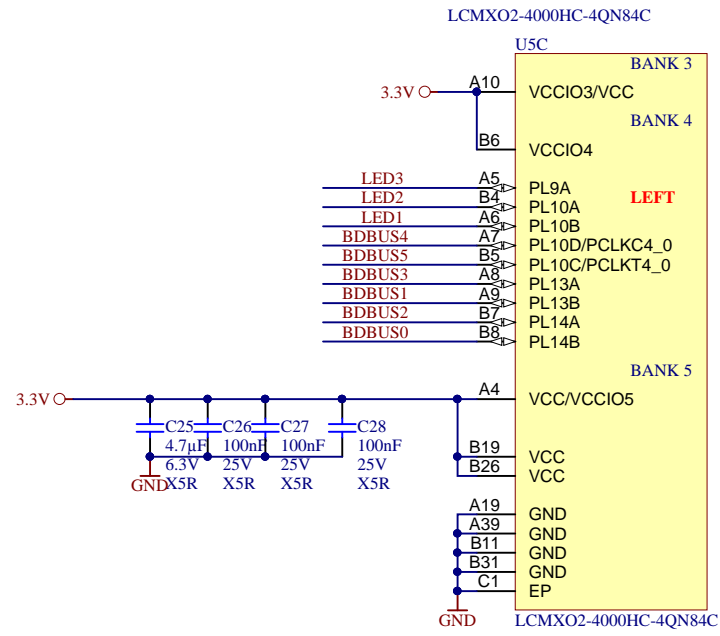
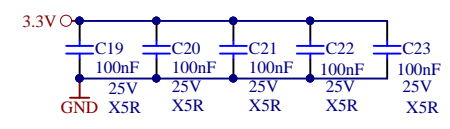
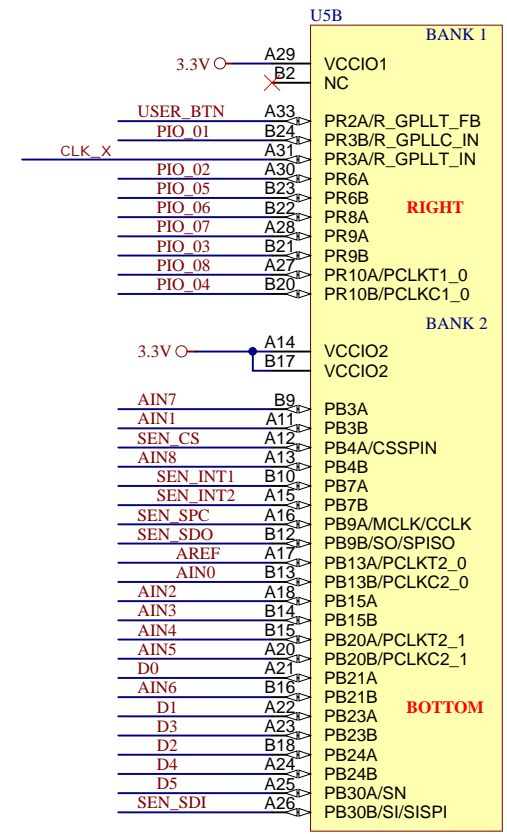
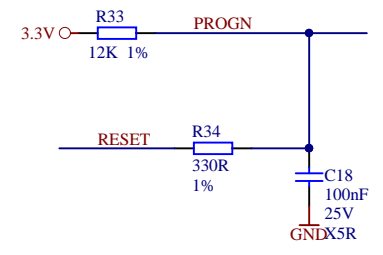
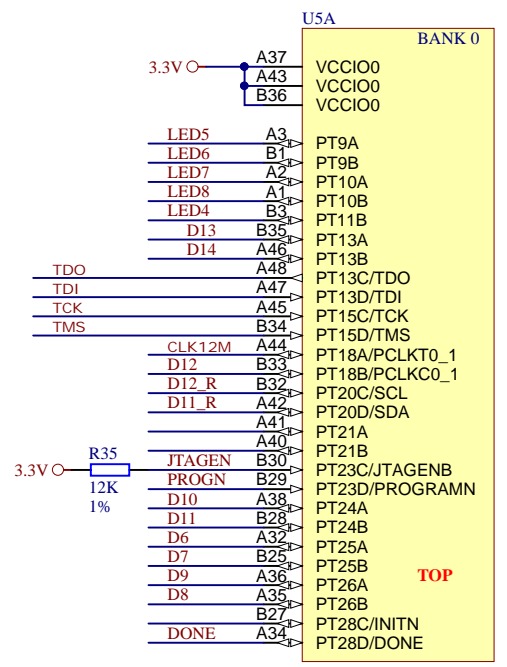
4



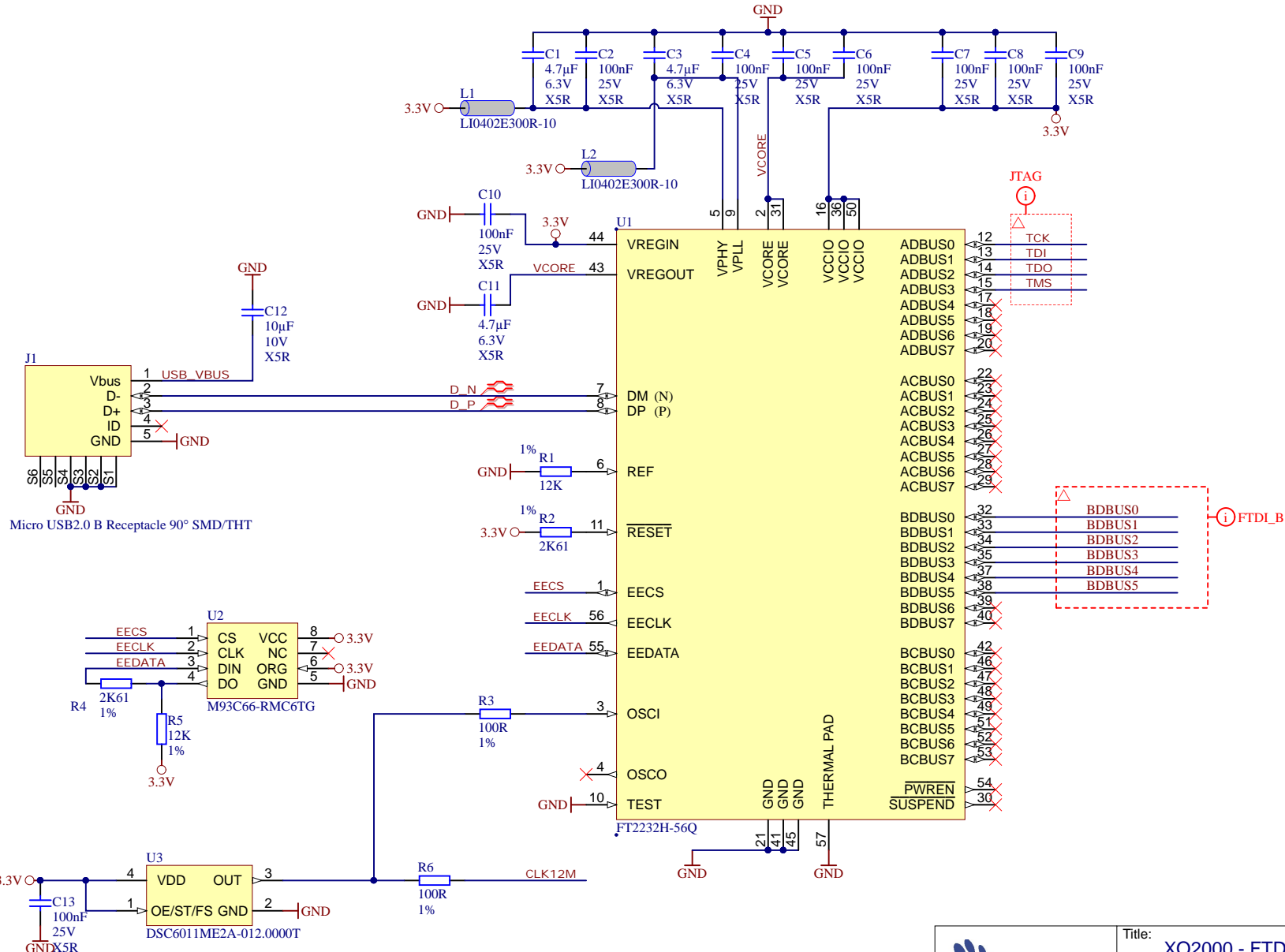
DUAL Function: JTAG or USER I/O if FT2232H not installed



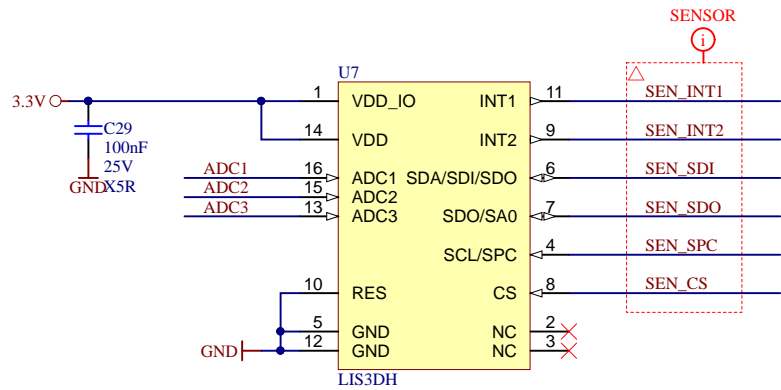
			Title: XO2000 - Headers	
			A4	Number: TEL0001 Default
Date: 2017-05-30		Copyright: Trenz Electronic GmbH		Page2 of 6
Filename: A-Headers.SchDoc				




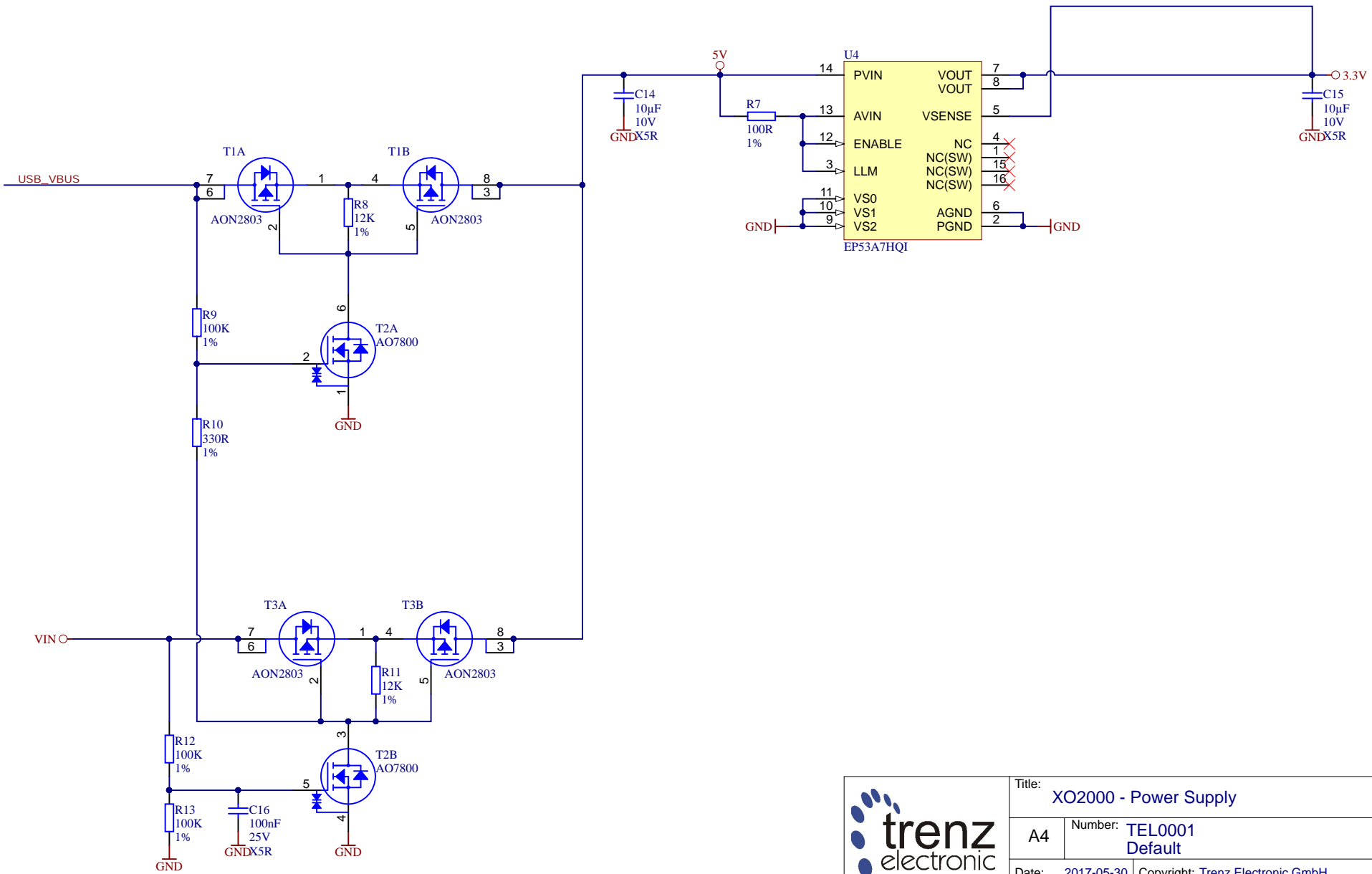
			Title: XO2000 - FPGA	
			A4	Number: TEL0001 Default
Date: 2017-05-30		Copyright: Trenz Electronic GmbH		Page3 of 6
Filename: FPGA.SchDoc				



Title: XO2000 - FTDI		
A4	Number: TEL0001 Default	Rev. 01
Date: 2017-05-30	Copyright: Trenz Electronic GmbH	Page4 of 6
Filename: FTDI.SchDoc		



			Title: XO2000 - Sensor_Flash_SDRAM	
A4	Number: TEL0001 Default		Rev. 01	
Date: 2017-05-30	Copyright: Trenz Electronic GmbH		Page5 of 6	
Filename: SENSOR_Flash_RAM.SchDoc				



Title: XO2000 - Power Supply		
A4	Number: TEL0001 Default	Rev. 01
Date: 2017-05-30	Copyright: Trenz Electronic GmbH	Page 6 of 6
Filename: PowerSupply.SchDoc		