

1

2

3

4

A

A

B

B

C

C

D

D

U_A-Headers
A-Headers.SchDoc



U_FPGA
FPGA.SchDoc



U_FPGA_MISC
FPGA_MISC.SchDoc



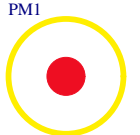
U_Flash_RAM
Flash_RAM.SchDoc



U_PowerSupply
PowerSupply.SchDoc



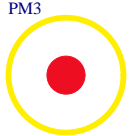
Serial
Serialnumber 6,3 x 6.3mm



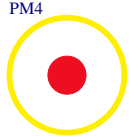
FIDU-DOT - mini



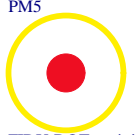
FIDU-DOT - mini



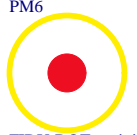
FIDU-DOT - mini



FIDU-DOT - mini



FIDU-DOT - mini



FIDU-DOT - mini



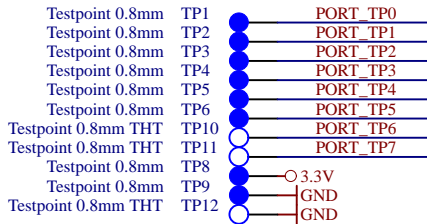
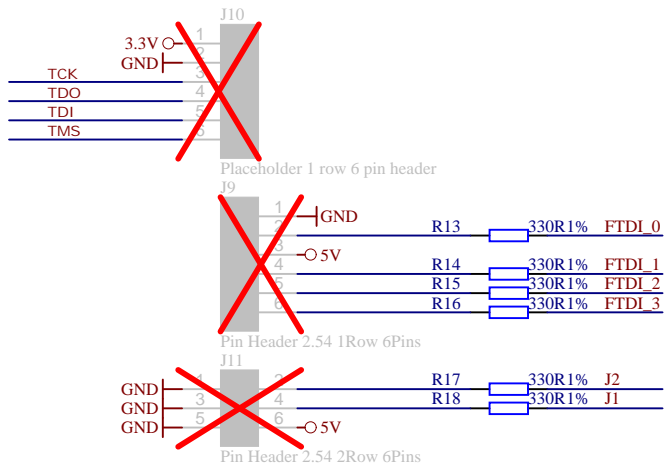
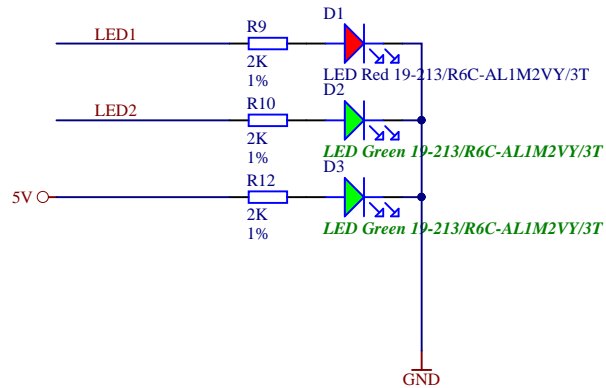
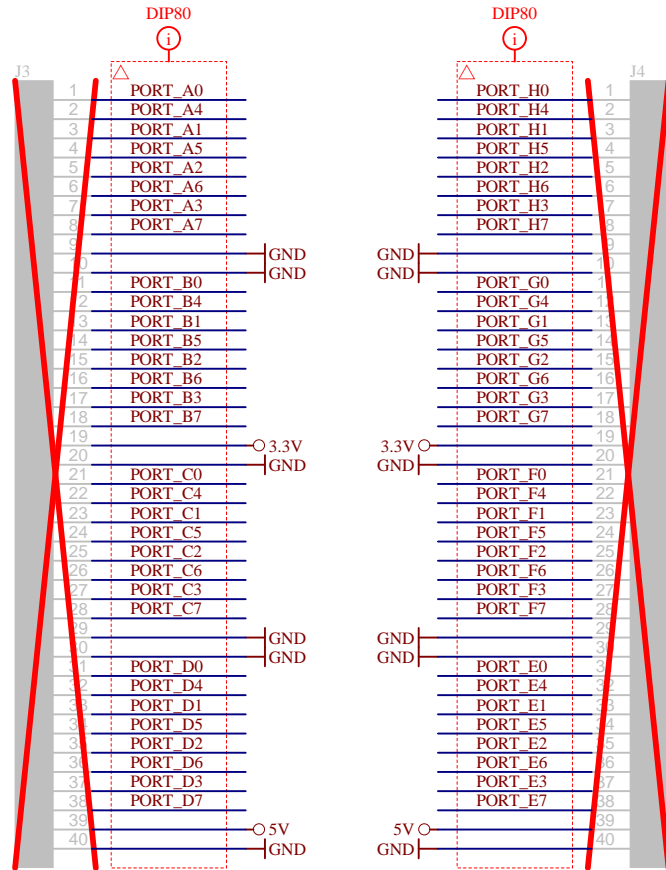
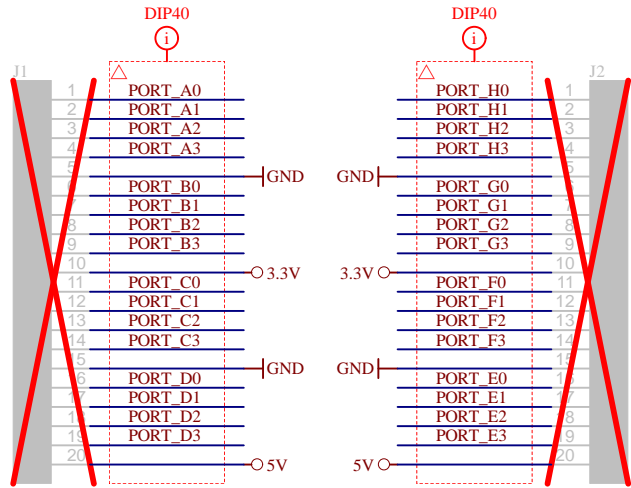
| | | |
|--------------------------------|---|----------------|
| Title: TE0890 - S7Mini | | |
| A4 | Number: TE0890 25-1C | Rev. 01 |
| Date: 2018-08-06 | Copyright: Trenz Electronic GmbH | Page1 of 6 |
| Filename: TE0890.SchDoc | | |

1

2

3

4



| | | |
|----------------------------|----------------------------------|------------|
| Title: TE0890 - S7Mini | | |
| A4 | Number: TE0890 25-1C | Rev. 01 |
| Date: 2018-08-06 | Copyright: Trenz Electronic GmbH | Page2 of 6 |
| Filename: A-Headers.SchDoc | | |

A

A

B

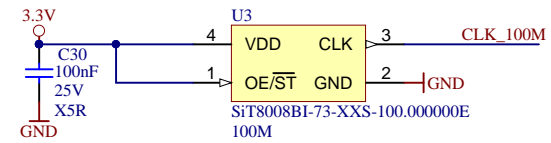
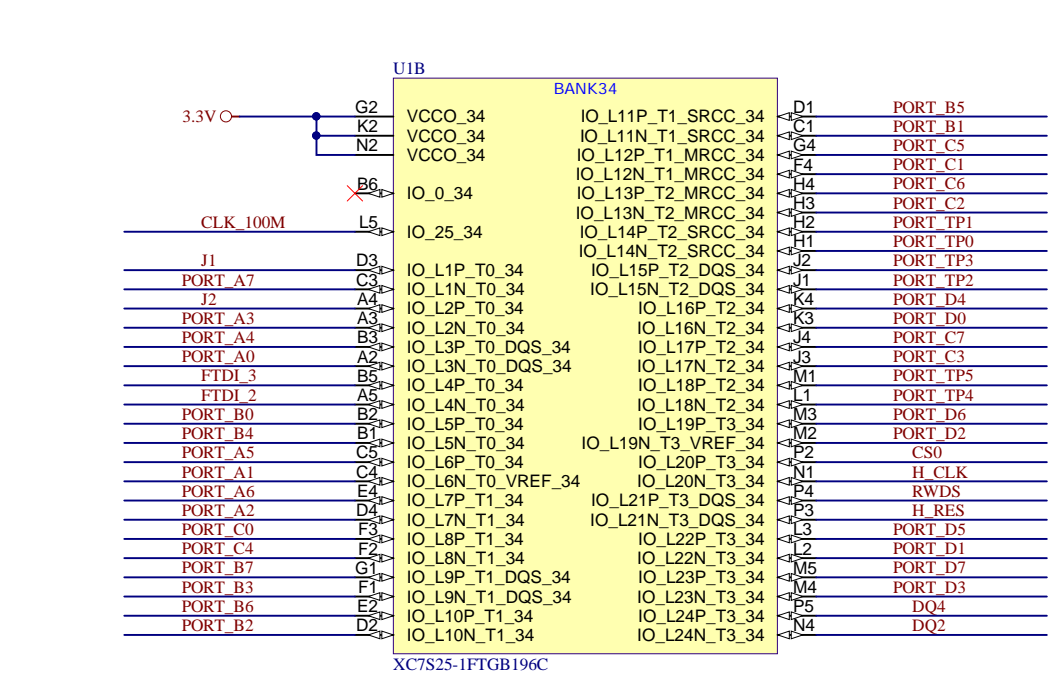
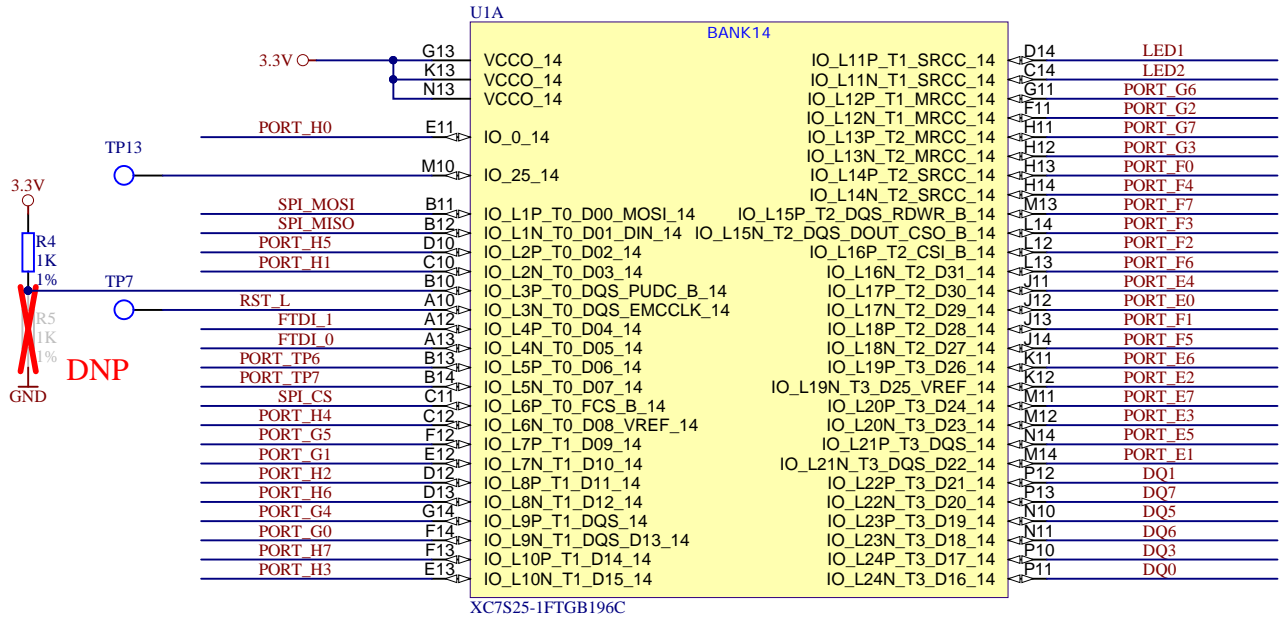
B

C

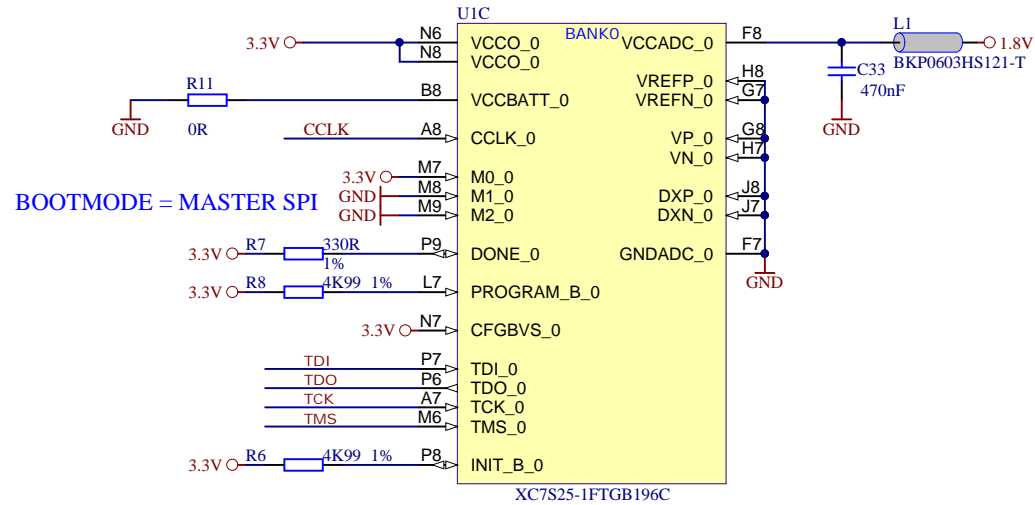
C

D

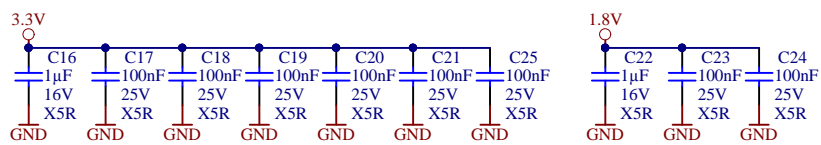
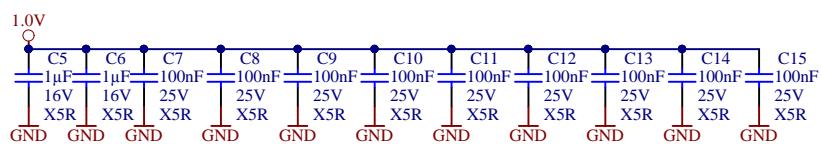
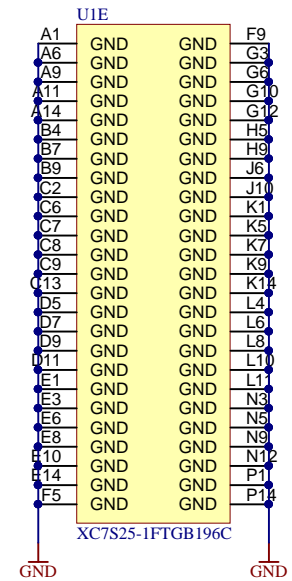
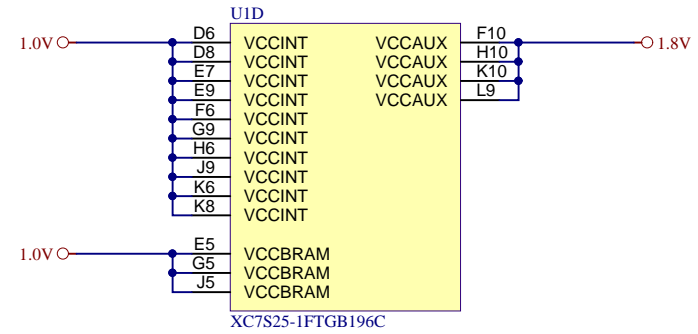
D



| | | |
|------------------------|----------------------------------|------------|
| Title: TE0890 - S7Mini | | |
| A4 | Number: TE0890 25-1C | Rev. 01 |
| Date: 2018-08-06 | Copyright: Trenz Electronic GmbH | Page3 of 6 |
| Filename: FPGA.SchDoc | | |



BOOTMODE = MASTER SPI



| | | |
|----------------------------|----------------------------------|-------------|
| Title: TE0890 - S7Mini | | |
| A4 | Number: TE0890 25-1C | Rev. 01 |
| Date: 2018-08-06 | Copyright: Trenz Electronic GmbH | Page 4 of 6 |
| Filename: FPGA_MISC.SchDoc | | |

1

2

3

4

A

A

B

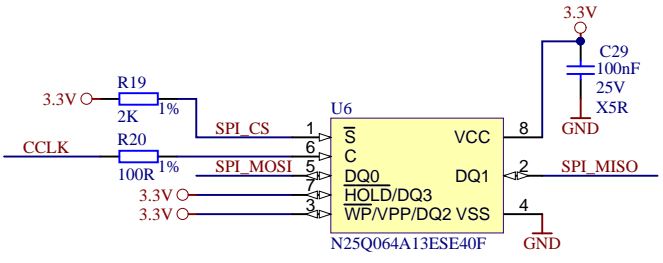
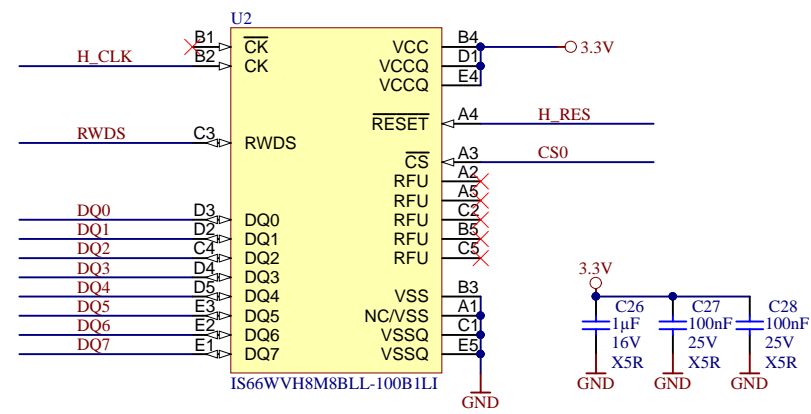
B

C

C

D

D



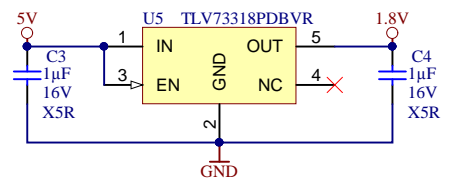
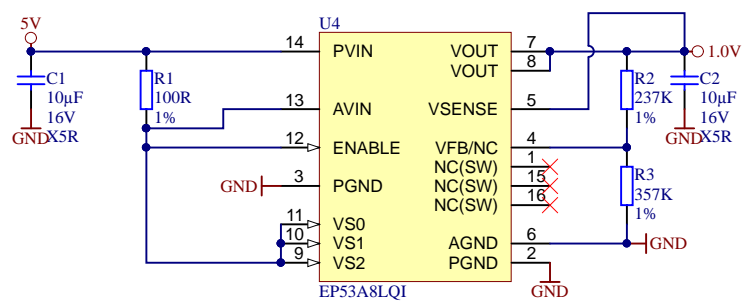
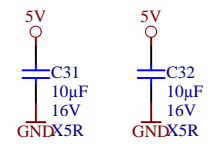
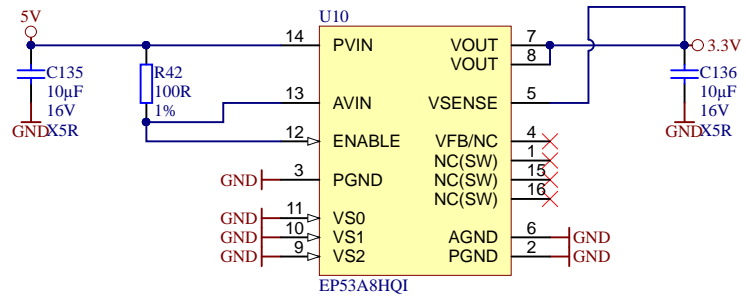
| | | |
|----------------------------|----------------------------------|-------------|
| Title: TE0890 - S7Mini | | |
| A4 | Number: TE0890 25-1C | Rev. 01 |
| Date: 2018-08-06 | Copyright: Trenz Electronic GmbH | Page 5 of 6 |
| Filename: Flash_RAM.SchDoc | | |

1

2

3

4



| | | |
|------------------------------|----------------------------------|------------|
| Title: TE0890 - S7Mini | | |
| A4 | Number: TE0890 25-1C | Rev. 01 |
| Date: 2018-08-06 | Copyright: Trenz Electronic GmbH | Page6 of 6 |
| Filename: PowerSupply.SchDoc | | |