

1

2

3

4

A

B

C

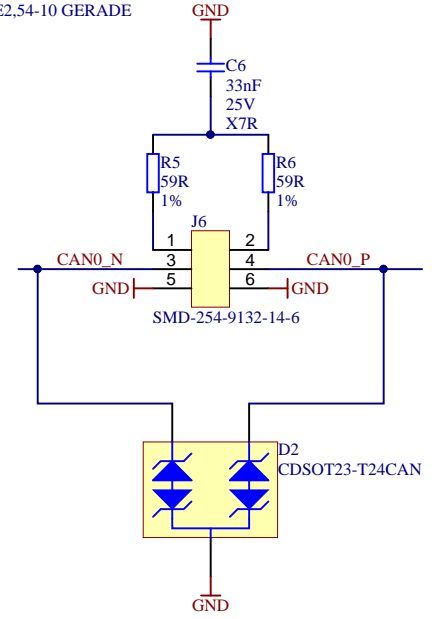
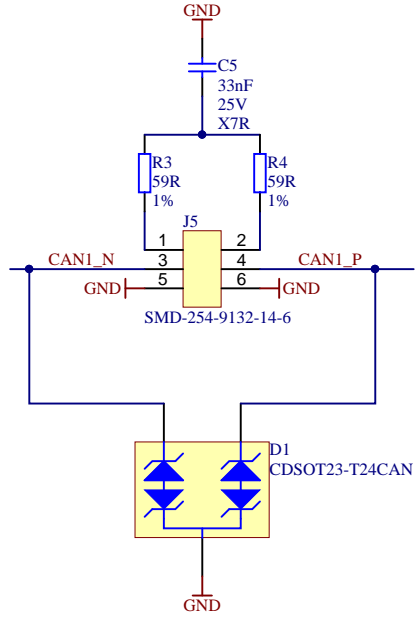
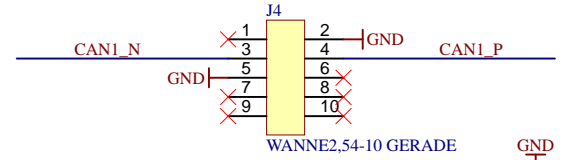
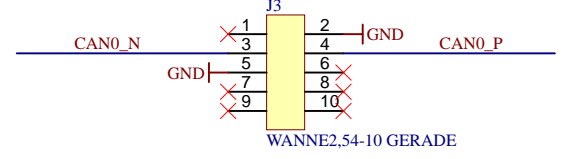
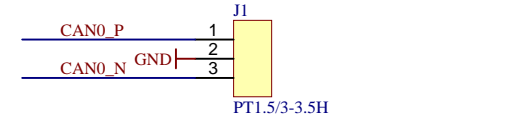
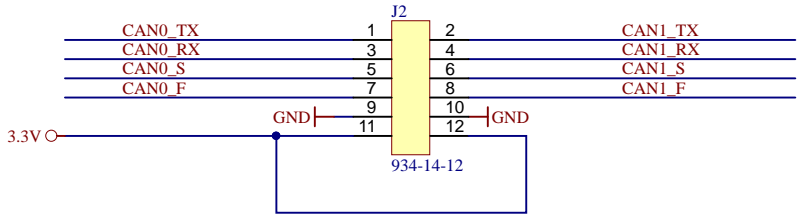
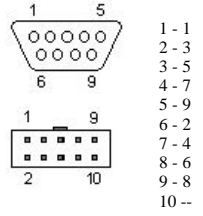
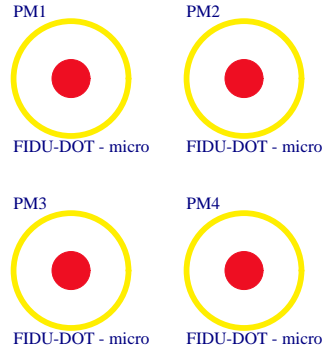
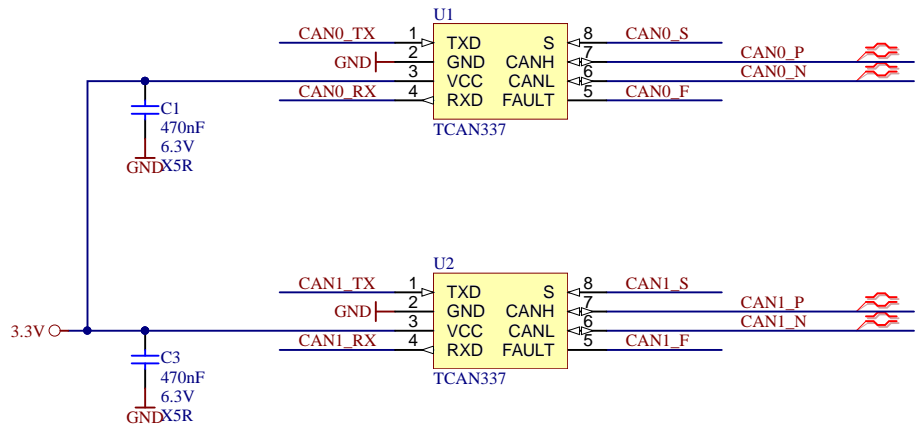
D

A

B

C

D



|                          |                                       |            |
|--------------------------|---------------------------------------|------------|
| Title: TEP0001           |                                       |            |
| A4                       | Number: Default                       | Rev. 01    |
| Date: 2016-05-02         | Copyright: Trenz Electronic GmbH / TT | Page1 of 1 |
| Filename: TEP0001.SchDoc |                                       |            |

1

2

3

4