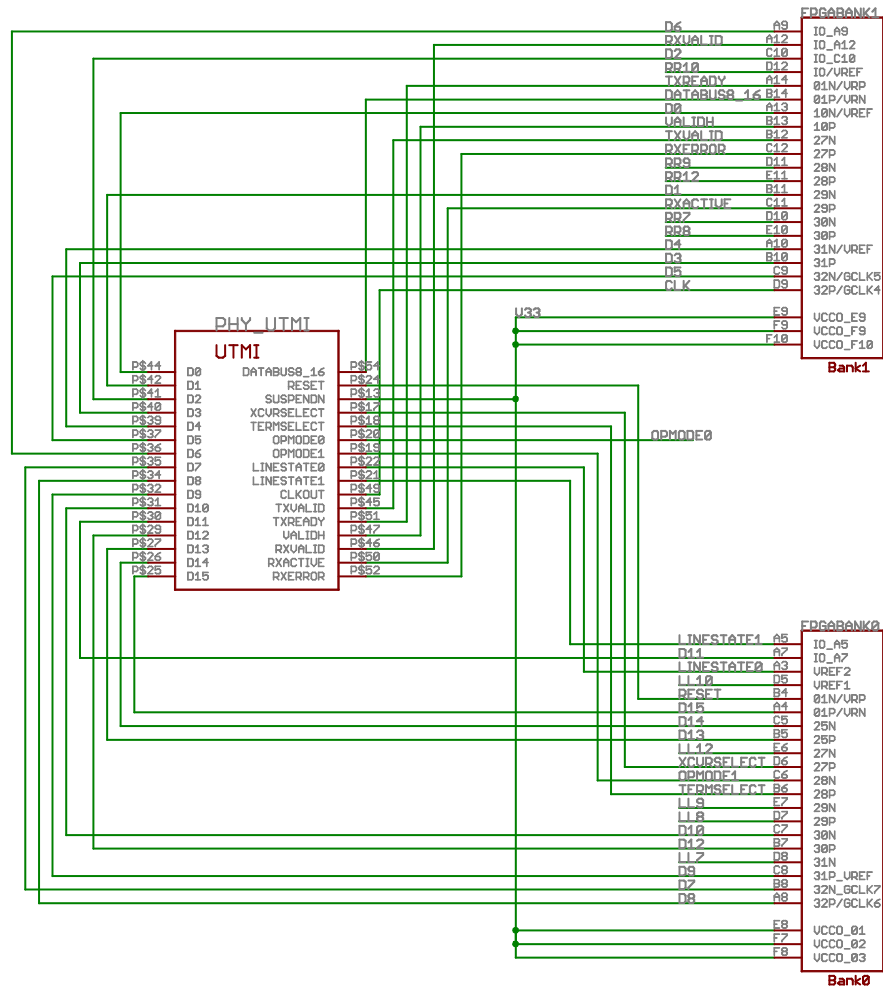
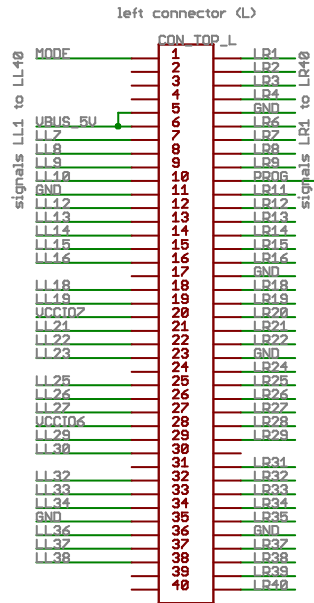


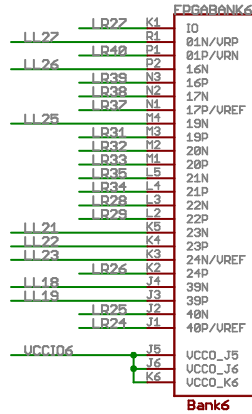
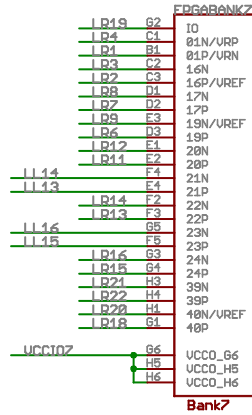
USB and Power	
TITLE: xc3smicromodule	
Document Number: TE0140-04	REV: 4.0
Date: not saved!	Sheet: 1/4



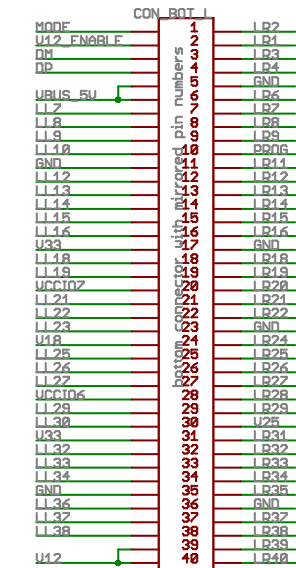
UTMI	
TITLE: xc3smicromodule	
Document Number: TE0140-04	REV: 4.0
Date: not saved!	Sheet: 2/4



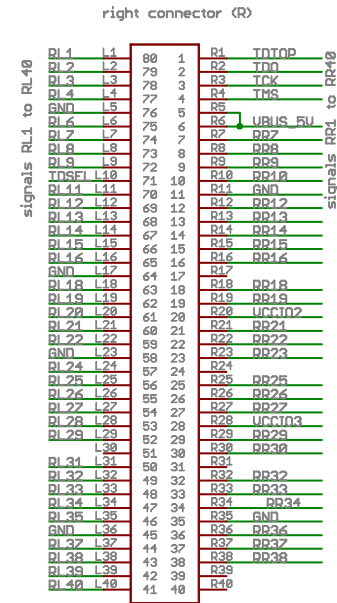
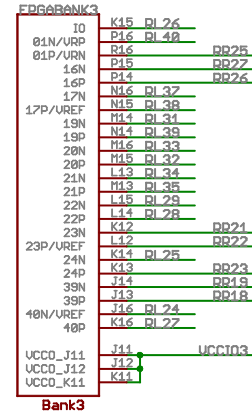
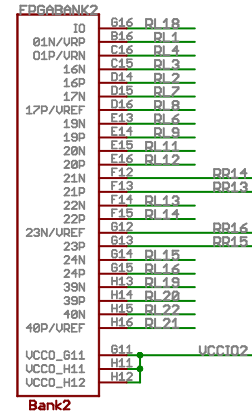
PROGRAM in rev 1.0
LR10 unused in rev 0.1 (gnd)



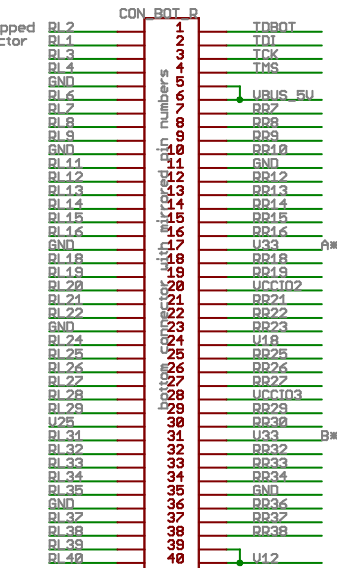
LR2 and LR1 swapped on bottom connector



bottom connectors shown from top



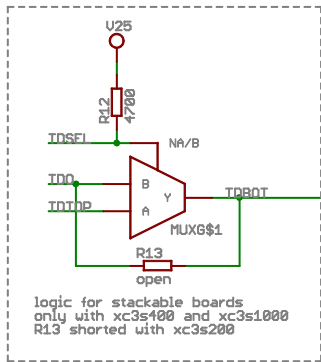
LR2 and LR1 swapped on bottom connector



⇒ A and B and C connected to U33 for xc3s400 and xc3s1000 only

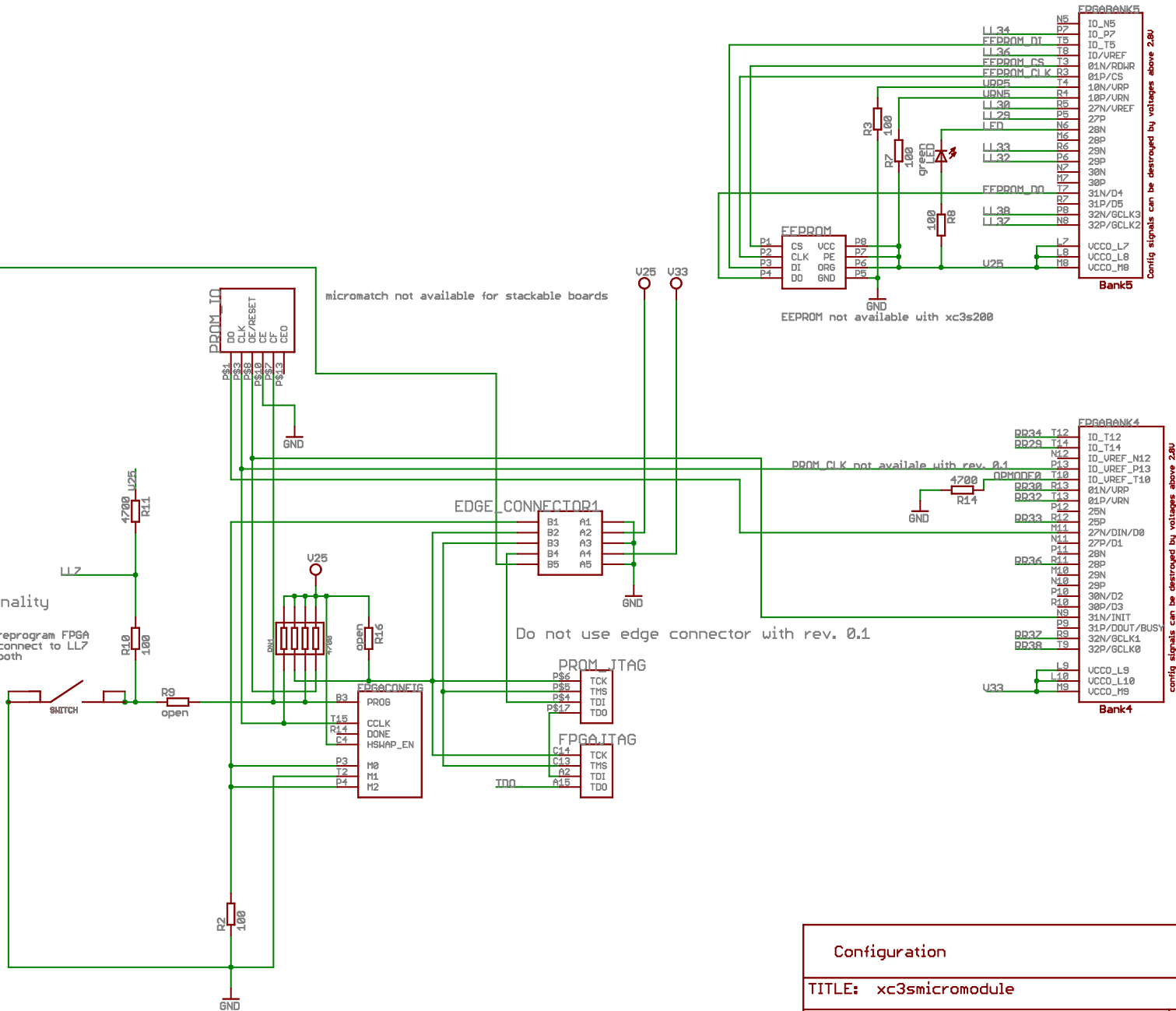
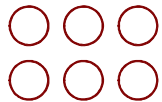
Expansion	
TITLE: xc3smicromodule	
Document Number: TE0140-04	REV: 4.0
Date: not saved!	Sheet: 3/4

(c) 2004-2006 by Kolja Sulimma
Trenz Electronic GmbH
<http://www.trenz-electronic.de>



switch functionality

R9	R10	R11	
100	open	open	reprogram FPGA
open	100	4700	connect to LL7
100	100	4700	both



Configuration	
TITLE: xc3smicromodule	
Document Number:	REV:
TE0140-04	4.0
Date: not saved!	Sheet: 1/4