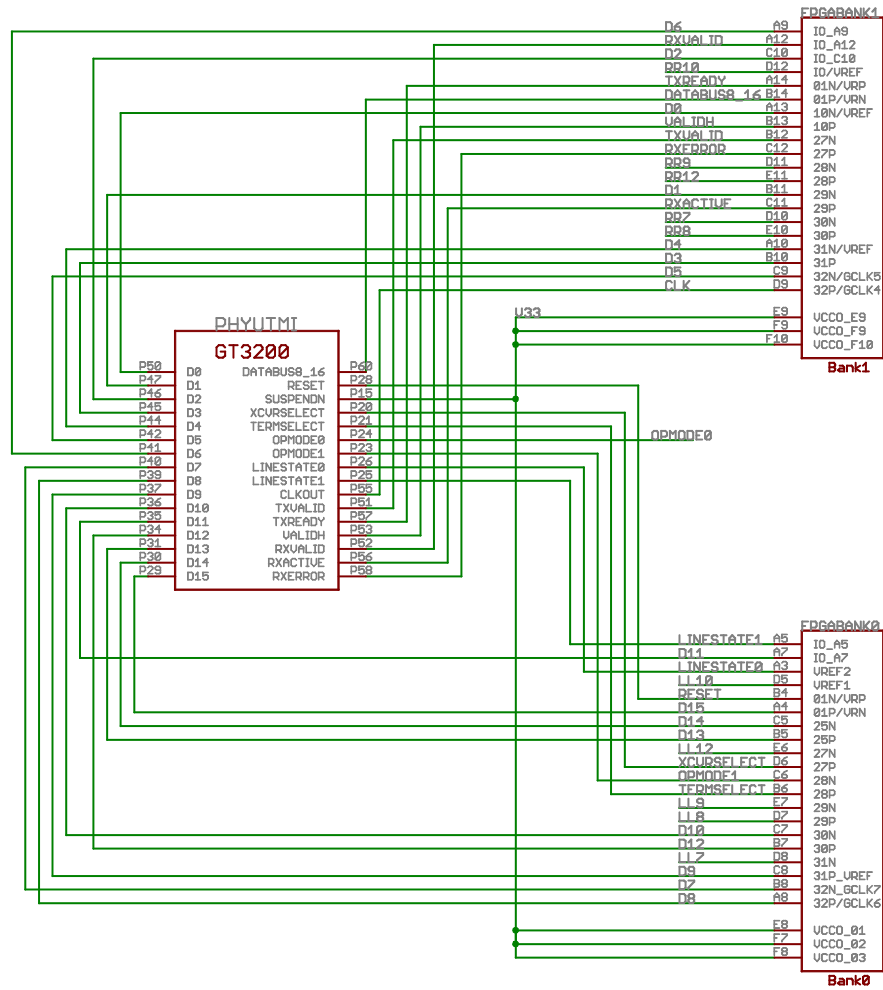
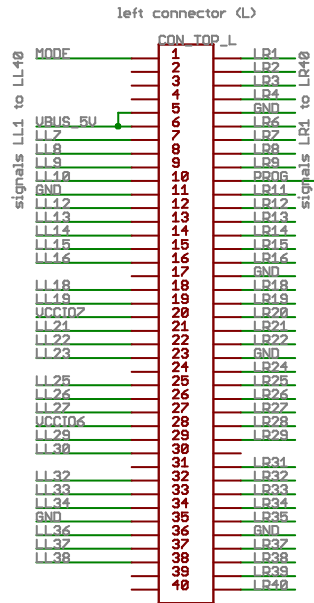
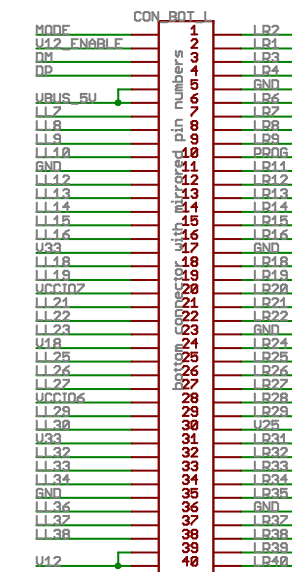
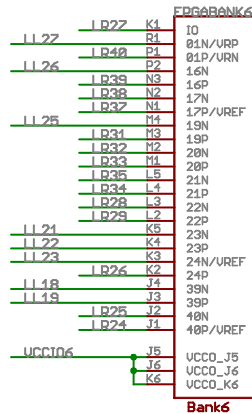
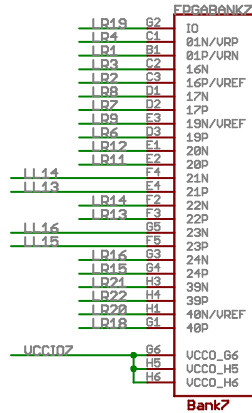


TE0140 USB and Power	
TITLE: xc3smicromodule	
Document Number:	REV: 02
Date: 29.06.2005 13:22:29	Sheet: 1/4



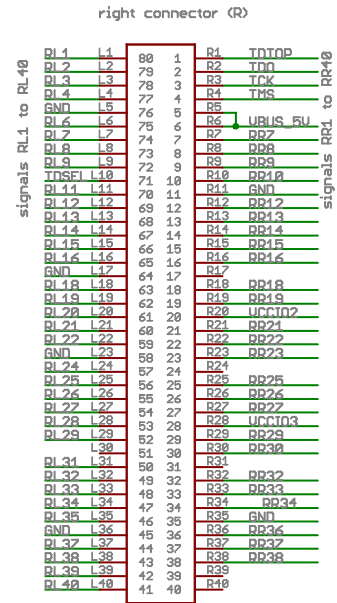
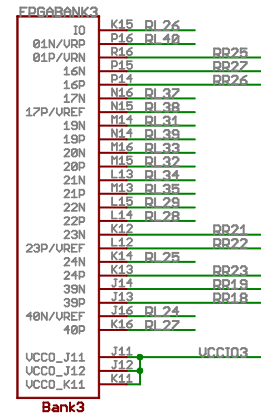
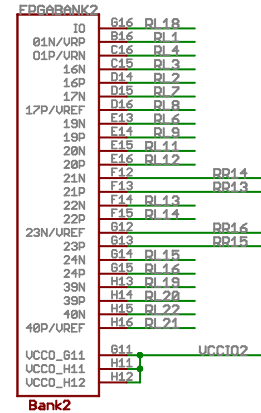


PROGRAM in rev.1.0
LR10 unused in rev.0.1 (gnd)

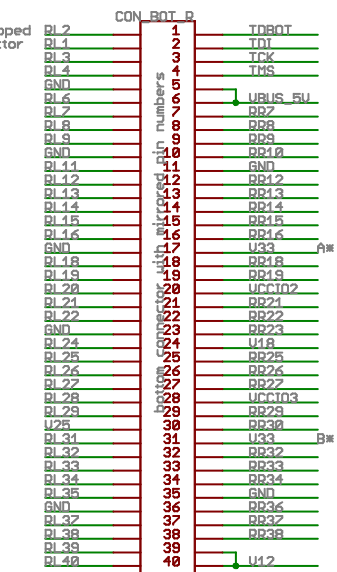


LR2 and LR1 swapped on bottom connector

bottom connectors shown from top



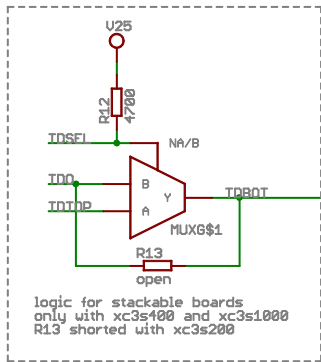
RI2 and RL1 swapped on bottom connector



⇒ A and B and C connected to U33 for xc3s400 and xc3s1000 only

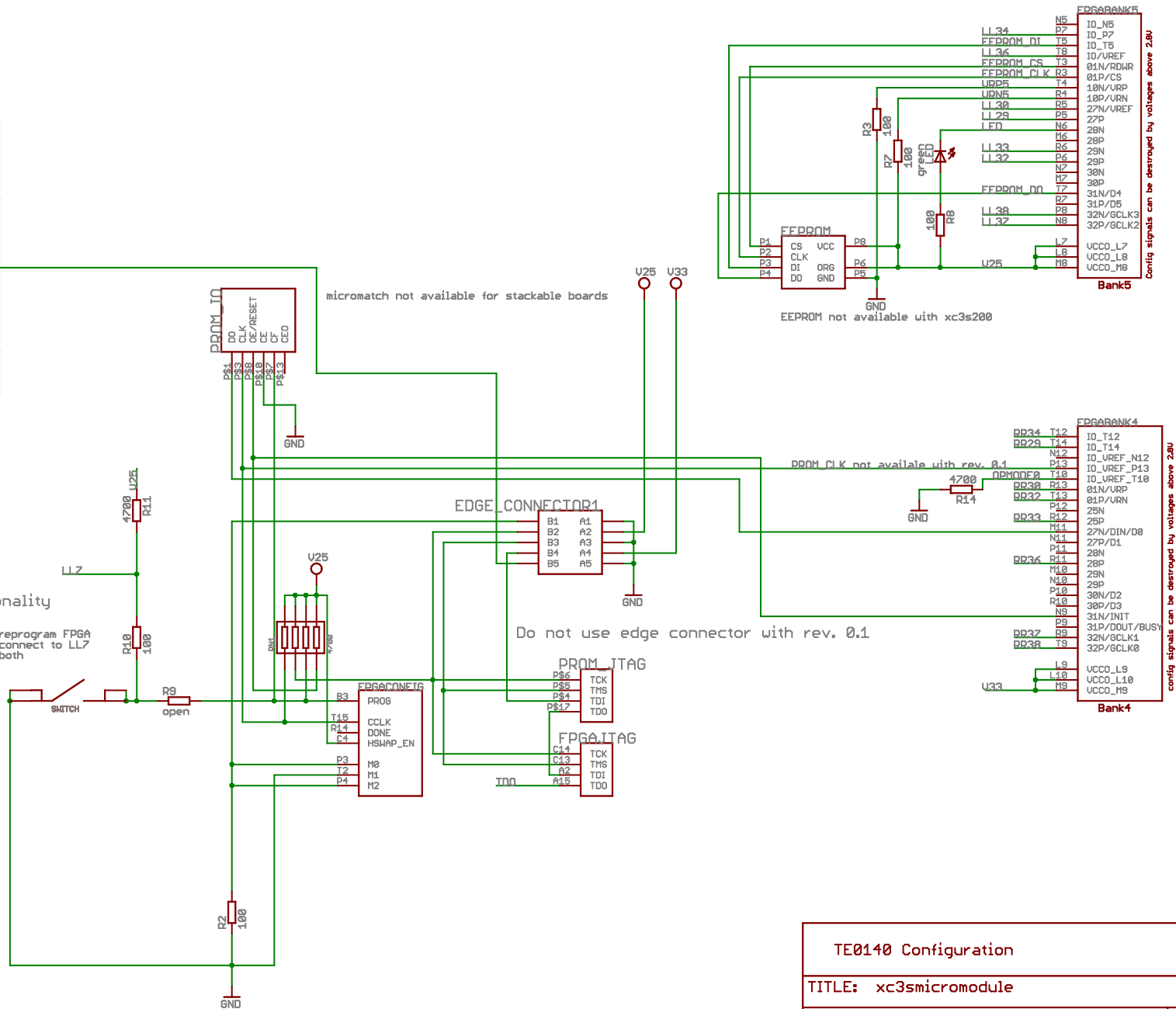
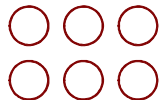
TE0140 Expansion	
TITLE: xc3smicromodule	
Document Number:	REV: 02
Date: 29.06.2005 13:22:29	Sheet: 3/4

(c) 2004, 2005 by Kolja Sulimma
Trenz Electronic GmbH
<http://www.trenz-electronic.de>



switch functionality

R9	R10	R11	
100	open	open	reprogram FPGA
open	100	4700	connect to LL7
100	100	4700	both



Config signals can be destroyed by voltages above 2.8V

config signals can be destroyed by voltages above 2.8V

TE0140 Configuration	
TITLE: xc3smicromodule	
Document Number:	REV: 02
Date: 29.06.2005 13:22:29	Sheet: 1/4