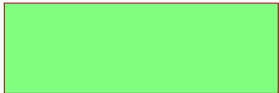
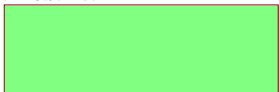


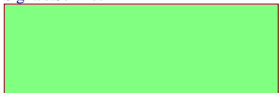
Power  
Power.SchDoc



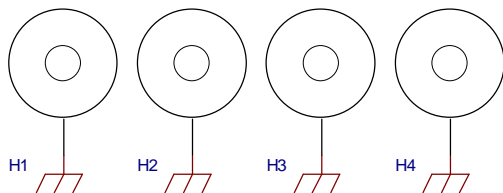
JTAG  
JTAG.SchDoc



Signals  
Signals.SchDoc



Connector  
Connector.SchDoc



Title: Header Baseboard - Main Sheet		
A4	Nummer: TE0143	Rev. 00
Datum: 18.08.2004	Zeichner: Trenz Electronic GmbH	Blatt 1 von 5
Filename: Main.SchDoc		

LL		J7D		LR	
LL7	LL7	D8_31N_0	C3_16P_VREF_7	LR1	LR1
LL8	LL8	D7_29P_0	B1_01P_VRN_7	LR2	LR2
LL9	LL9	E7_29N_0	C2_16N_7	LR3	LR3
LL10	LL10	D5_IO_D5_VREF_0	C1_01N_VRP_7	LR4	LR4
LL12	LL12	E6_27N_0	D3_19P_7	LR6	LR6
			D2_17P_7	LR7	LR7
LL13	LL13	E4_21P_7	D1_17N_7	LR8	LR8
LL14	LL14	F4_21N_7	E3_19N_VREF_7	LR9	LR9
LL15	LL15	F5_23P_7	E2_20P_7	LR11	LR11
LL16	LL16	G5_23N_7	E1_20N_7	LR12	LR12
			F3_22P_7	LR13	LR13
LL18	LL18	J4_39N_6	F2_22N_7	LR14	LR14
LL19	LL19	J3_39P_6	G4_24P_7	LR15	LR15
LL21	LL21	K5_23N_6	G3_24N_7	LR16	LR16
LL22	LL22	K4_23P_6	G1_40P_7	LR18	LR18
LL23	LL23	K3_24N_VREF_6	G2_IO_G2_7	LR19	LR19
LL25	LL25	M4_19N_6	H1_40N_VREF_7	LR20	LR20
LL26	LL26	P2_16N_6	H3_39N_7	LR21	LR21
LL27	LL27	R1_01N_VRP_6	H4_39P_7	LR22	LR22
			J1_40P_VREF_6	LR24	LR24
			J2_40N_6	LR25	LR25
			K2_24P_6	LR26	LR26
			K1_IO_K1_6	LR27	LR27
			L3_22N_6	LR28	LR28
			L2_22P_6	LR29	LR29
			M3_19P_6	LR31	LR31
LL29	LL29	P5_27P_5	M2_20N_6	LR32	LR32
LL30	LL30	R5_27N_VREF_5	M1_20P_6	LR33	LR33
LL32	LL32	P6_29P_5	L4_21P_6	LR34	LR34
LL33	LL33	R6_29N_5	L5_21N_6	LR35	LR35
LL34	LL34	P7_IO_P7_5	N1_17P_VREF_6	LR37	LR37
LL36	LL36	T8_IOT8_VREF_5	N2_17N_6	LR38	LR38
LL37	LL37	N8_32P_GCLK2_5	N3_16P_6	LR39	LR39
LL38	LL38	P8_32N_GCLK3_5	P1_01P_VRN_6	LR40	LR40

TE0140

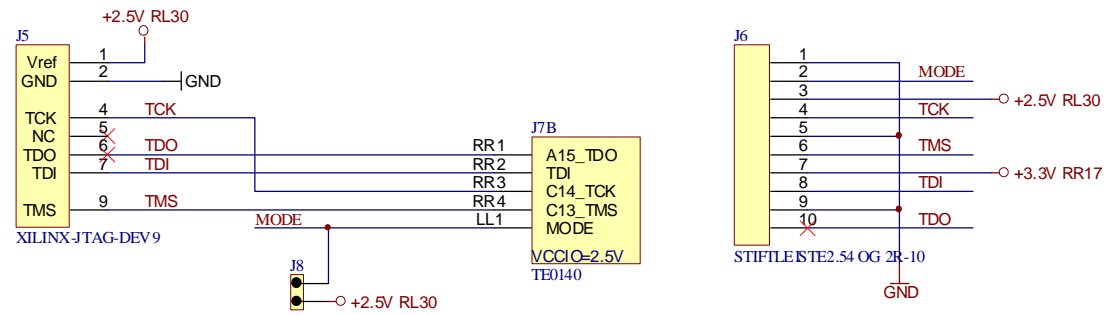
VCCIO=2.5V

RL		J7E		RR	
RL1	RL1	D14_16P_2	D10_30N_1	RR7	RR7
RL2	RL2	B16_01N_VRP_2	E10_30P_1	RR8	RR8
RL3	RL3	C15_16N_2	D11_28N_1	RR9	RR9
RL4	RL4	C16_01P_VRN_2	D12_IO_VREF_1	RR10	RR10
RL6	RL6	E13_19N_2	E11_28P_1	RR12	RR12
RL7	RL7	D15_17N_2			
RL8	RL8	D16_17P_VREF_2			
RL9	RL9	E14_19P_2			
RL11	RL11	E15_20N_2	F13_21P_2	RR13	RR13
RL12	RL12	E16_20P_2	F12_21N_2	RR14	RR14
RL13	RL13	F14_22N_2	G13_23P_2	RR15	RR15
RL14	RL14	F15_22P_2	G12_23N_VREF_2	RR16	RR16
RL15	RL15	G14_24N_2			
RL16	RL16	G15_24P_2			
RL18	RL18	G16_IO_G16_2			
RL19	RL19	H13_39N_2	J13_39P_3	RR18	RR18
RL20	RL20	H14_39P_2	J14_39N_3	RR19	RR19
RL21	RL21	H16_40P_VREF_2	K12_23N_3	RR21	RR21
RL22	RL22	H15_40N_2	L12_23P_VREF_3	RR22	RR22
			K13_24P_3	RR23	RR23
RL24	RL24	J16_40N_VREF_3	R16_01P_VRN_3	RR25	RR25
RL25	RL25	K14_24N_3	P14_16P_3	RR26	RR26
RL26	RL26	K15_IO_K15_3	P15_16N_3	RR27	RR27
RL27	RL27	K16_40P_3			
RL28	RL28	L14_22P_3			
RL29	RL29	L15_22N_3			
RL31	RL31	M14_19N_3			
RL32	RL32	M15_20P_3	T14_IO_4	RR29	RR29
RL33	RL33	M16_20N_3	R13_01N_VRP_4	RR30	RR30
RL34	RL34	L13_21N_3	T13_01P_VRN_4	RR32	RR32
RL35	RL35	M13_21P_3	R12_25P_4	RR33	RR33
RL37	RL37	N16_17N_3	T12_IO_T12_4	RR34	RR34
RL38	RL38	N15_17P_VREF_3	R11_28P_4	RR36	RR36
RL39	RL39	N14_19P_3	R9_32N_GCLK1_4	RR37	RR37
RL40	RL40	P16_01N_VRP_3	T9_32P_GCLK0_4	RR38	RR38

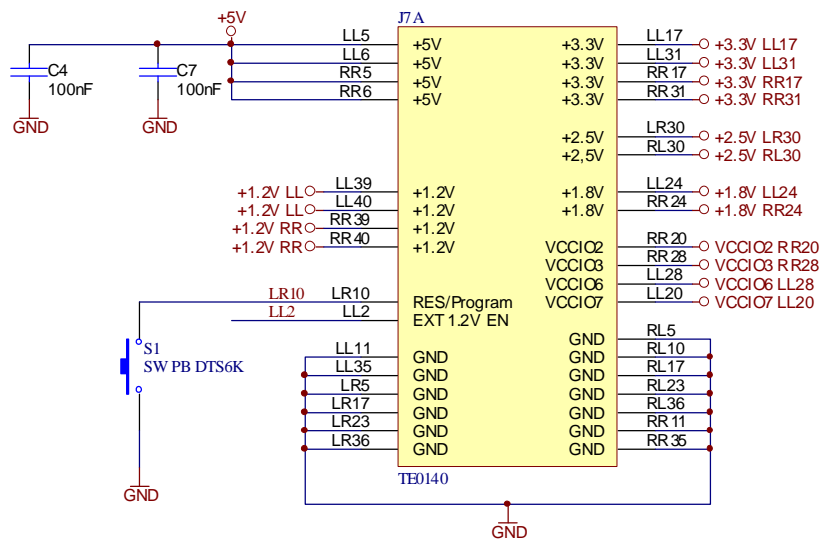
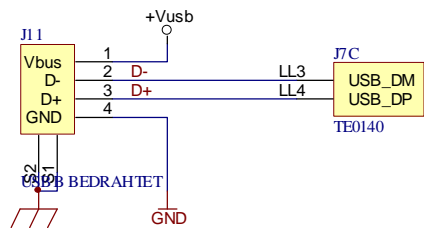
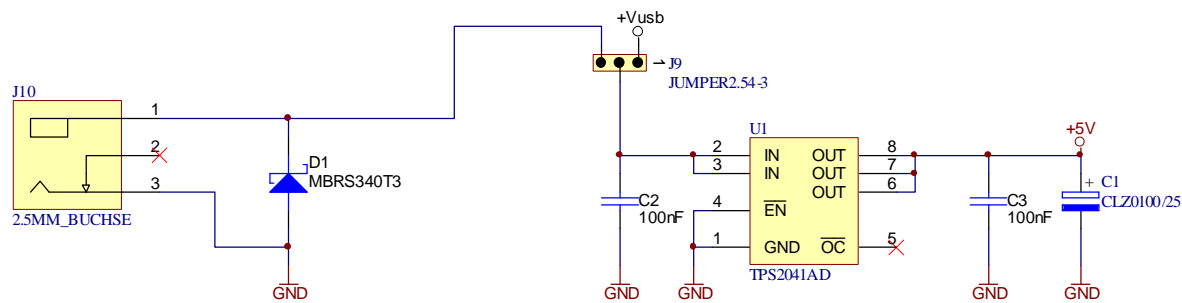
TE0140



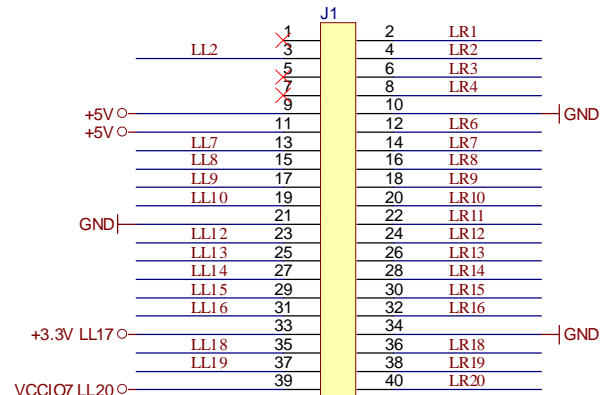
Title: Header Baseboard - TE0140 Module			
A4	Nummer: TE0143	Rev. 00	
Datum: 18.08.2004	Zeichner: Trenz Electronic GmbH	Blatt 2 von 5	
Filename: Signals.SchDoc			



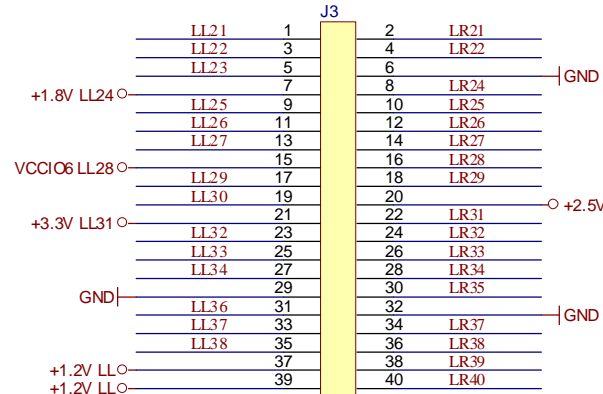
Title:		Header Baseboard - JTAG Interface	
A4	Nummer:	TE0143	Rev. 00
Datum:	18.08.2004	Zeichner:	Trenz Electronic GmbH
Blatt 3	von 5		
Filename:	JTAG.SchDoc		



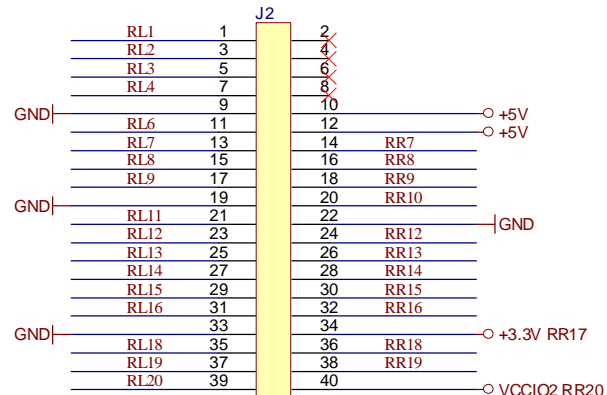
Title: Header Baseboard - Powersupply		
A4	Nummer: TE0143	Rev. 00
Datum: 18.08.2004	Zeichner: Trenz Electronic GmbH	Blatt 4 von 5
Filename: Power.SchDoc		



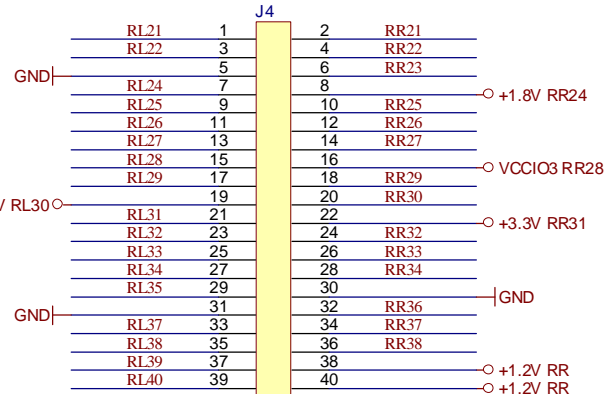
STIFTFLEISTE 2.54 OG 2R-40



STIFTFLEISTE 2.54 OG 2R-40



STIFTFLEISTE 2.54 OG 2R-40



STIFTFLEISTE 2.54 OG 2R-40



Title: Header Baseboard - Headers			
A4	Nummer: TE0143	Rev. 00	
Datum: 18.08.2004	Zeichner: Trenz Electronic GmbH	Blatt 5 von 5	
Filename: Connector.SchDoc			