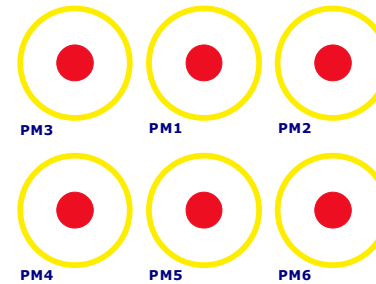

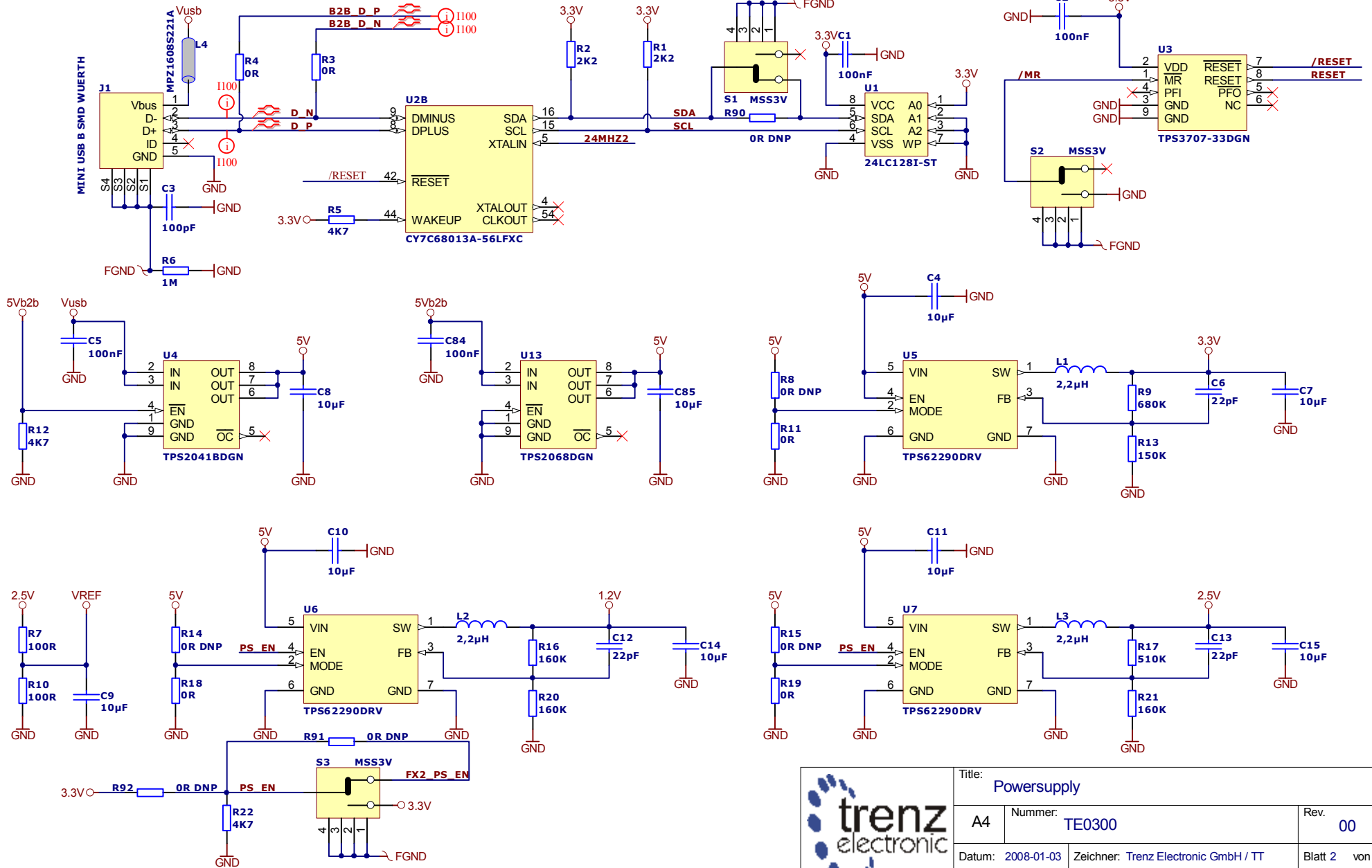



LOGO1
TE Logo on Top Layer
LOGO TOP small

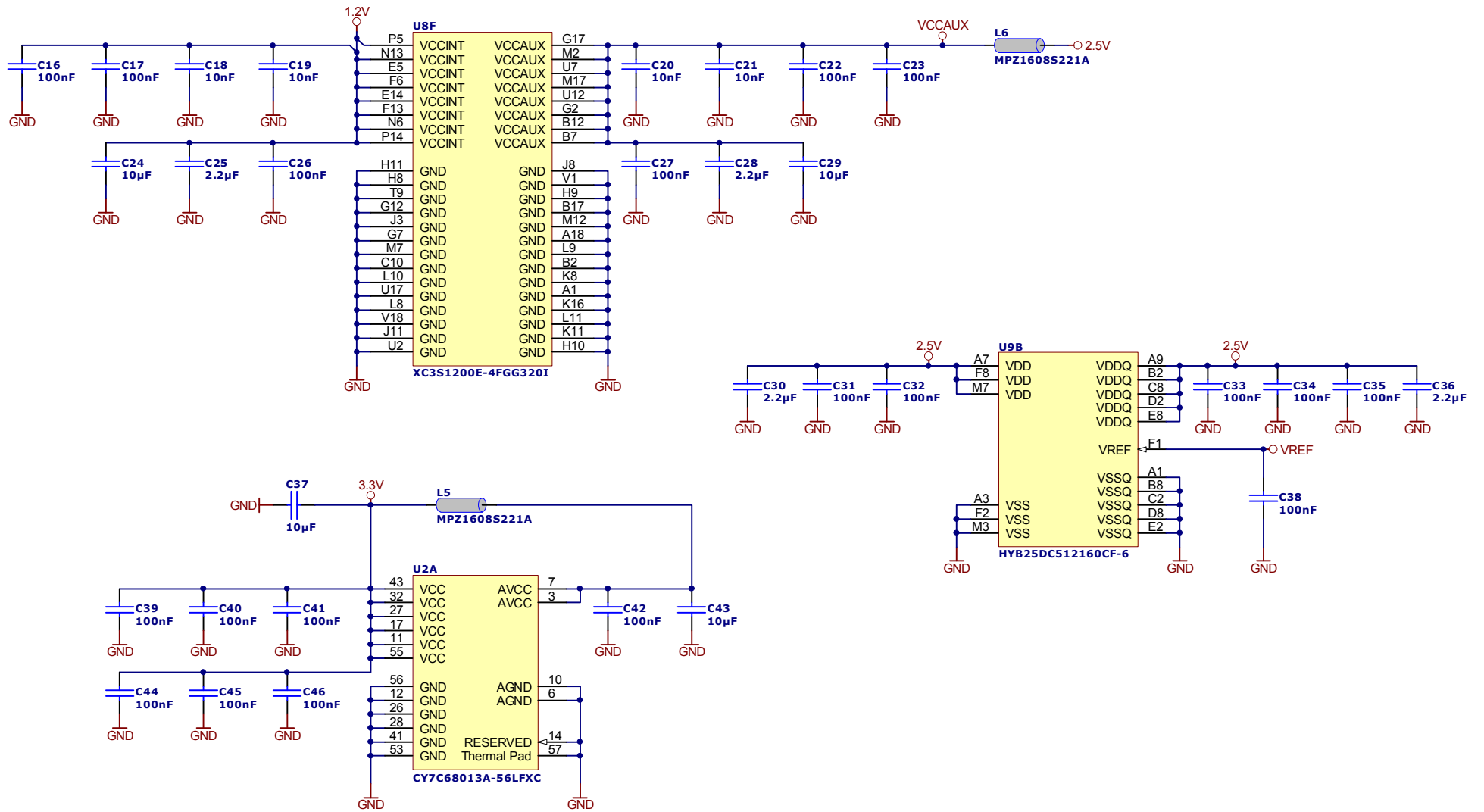



	Title: Overview		
	A4	Nummer: TE0300	Rev. 00
	Datum: 2008-01-03	Zeichner: Trenz Electronic GmbH / TT	Blatt 1 von 8
	Filename: 00.SchDoc		

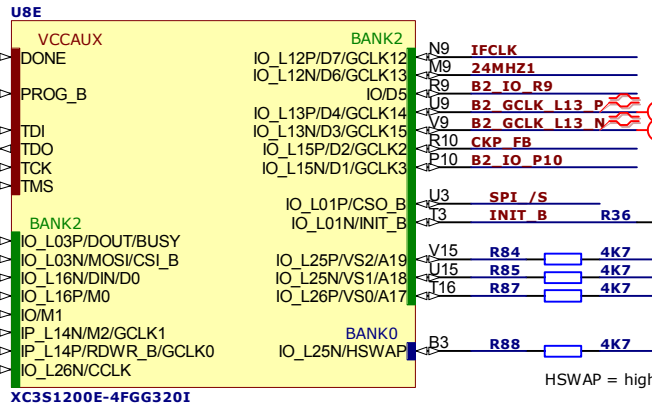
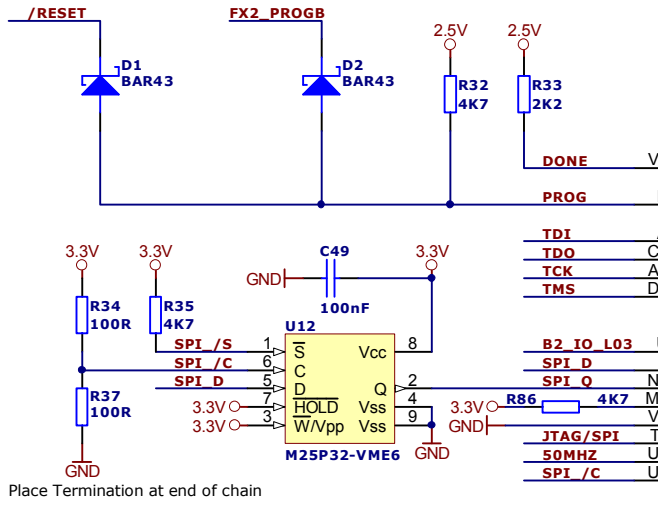
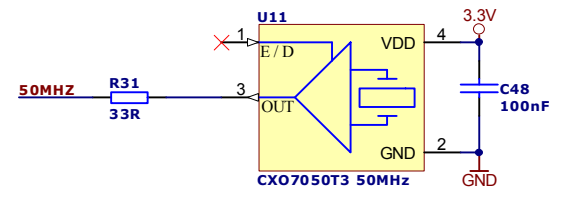
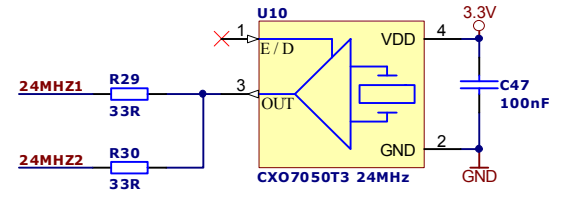
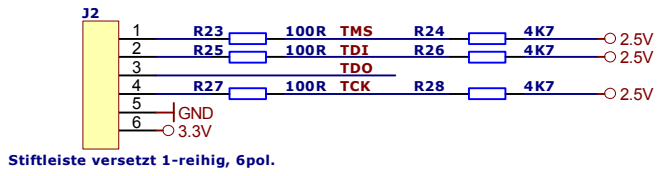
Place resistors as close to the USB connector as possible.



		Title: Powersupply	
		A4	Nummer: TE0300
Datum: 2008-01-03		Zeichner: Trenz Electronic GmbH / TT	
Filename: 01.SchDoc		Blatt 2 von 8	

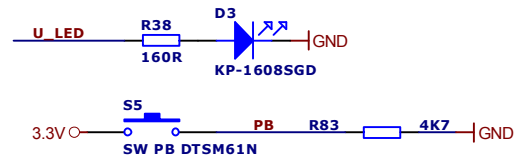
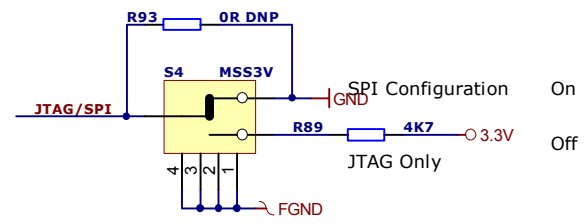
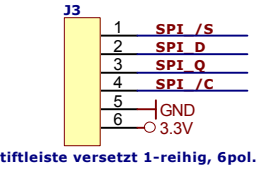


		Title: Chip Powersupply	
		A4	Nummer: TE0300
Datum: 2008-01-03		Zeichner: Trenz Electronic GmbH / TT	
Date: 2008-01-03		Blatt 3 von 8	
Filename: 02.SchDoc			

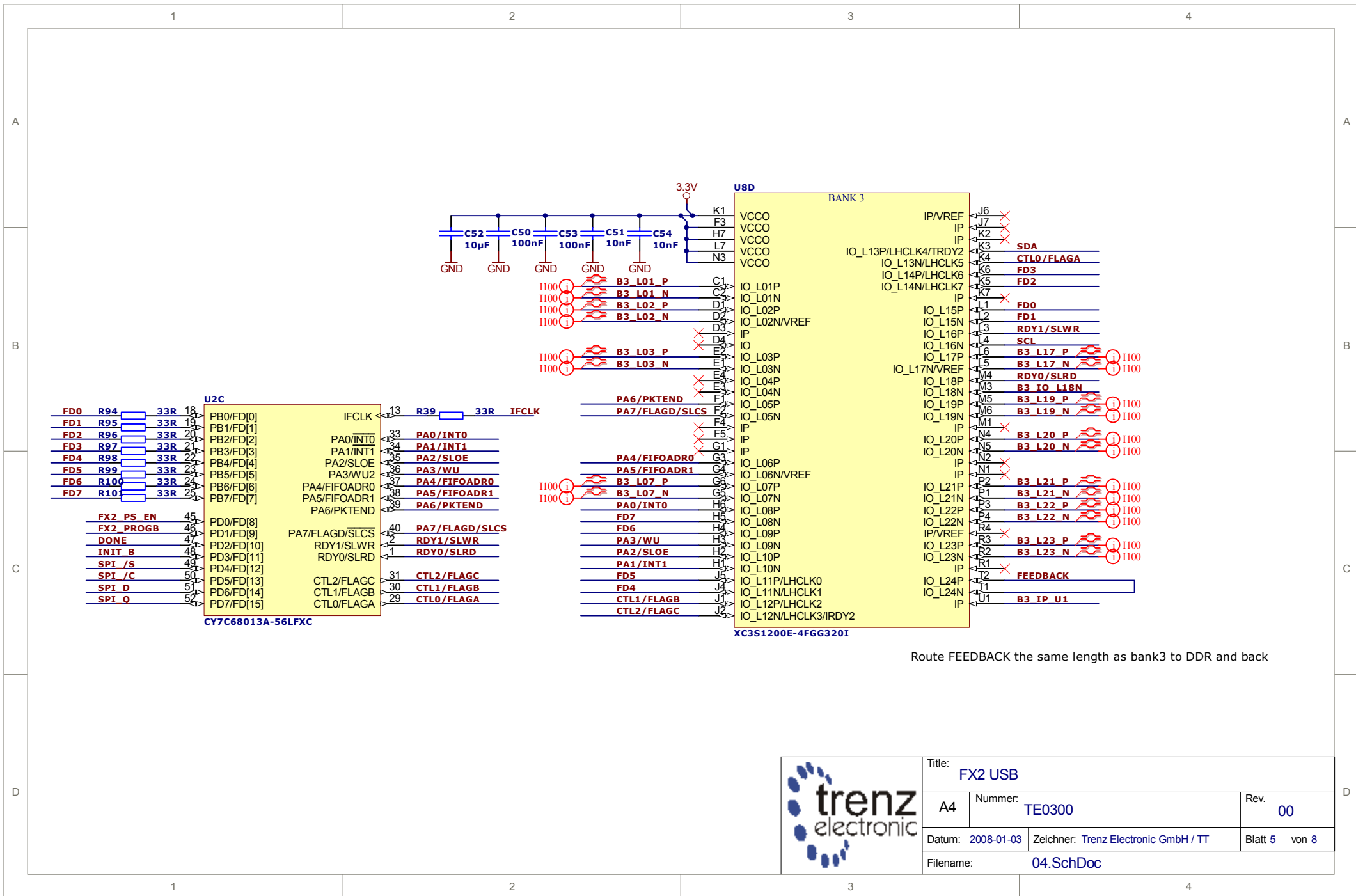


Route same length as clock to Memory.

Place Termination at end of chain

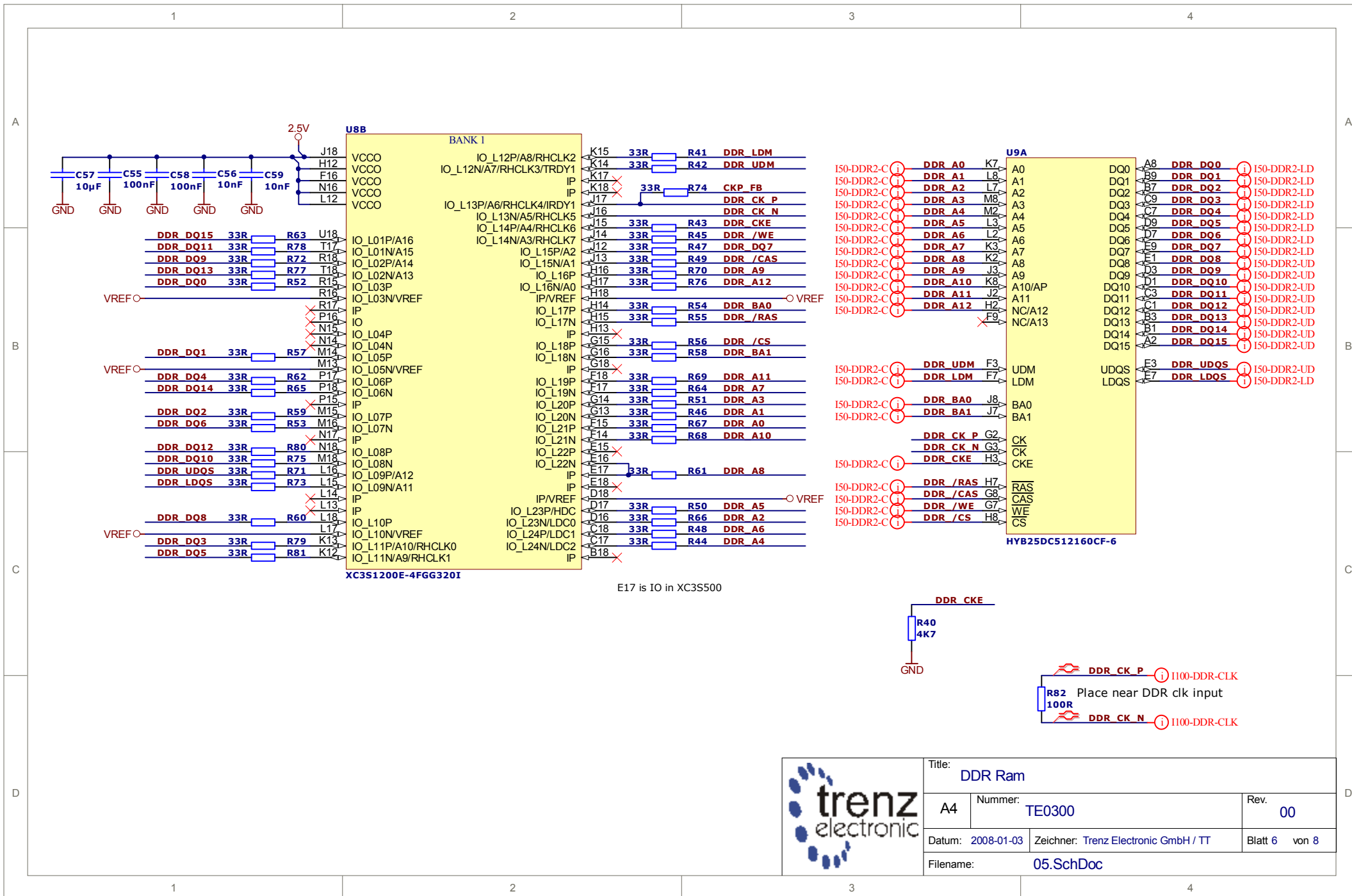


		Title: Configuration and Clock	
		A4	Nummer: TE0300 Rev. 00
Datum: 2008-01-03		Zeichner: Trenz Electronic GmbH / TT	
Filename: 03.SchDoc		Blatt 4 von 8	

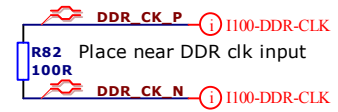
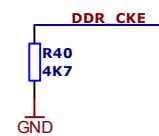



Route FEEDBACK the same length as bank3 to DDR and back

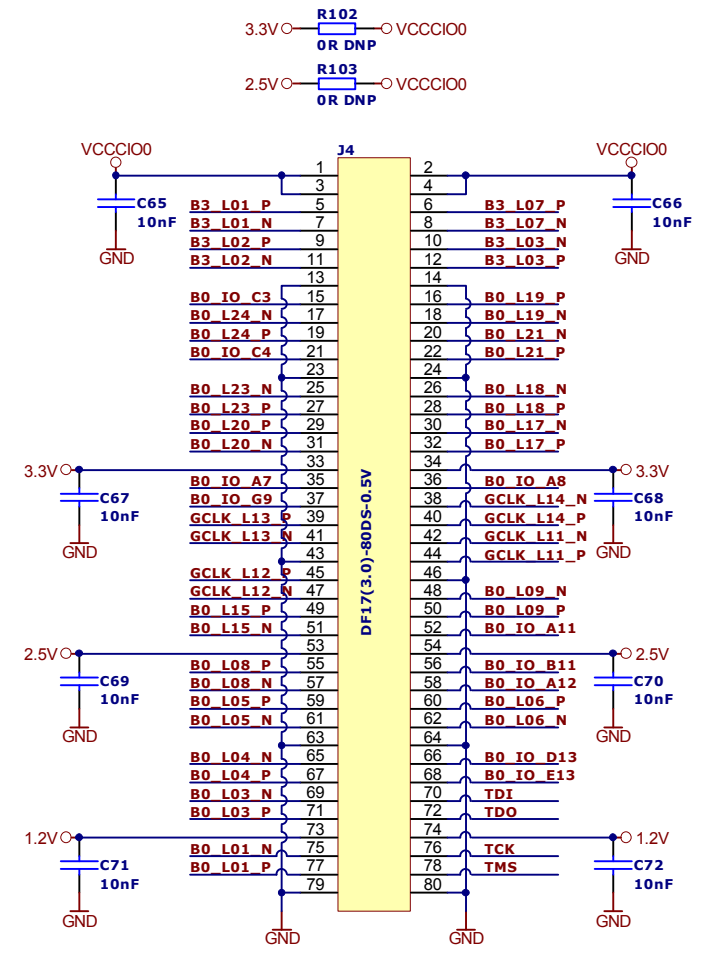
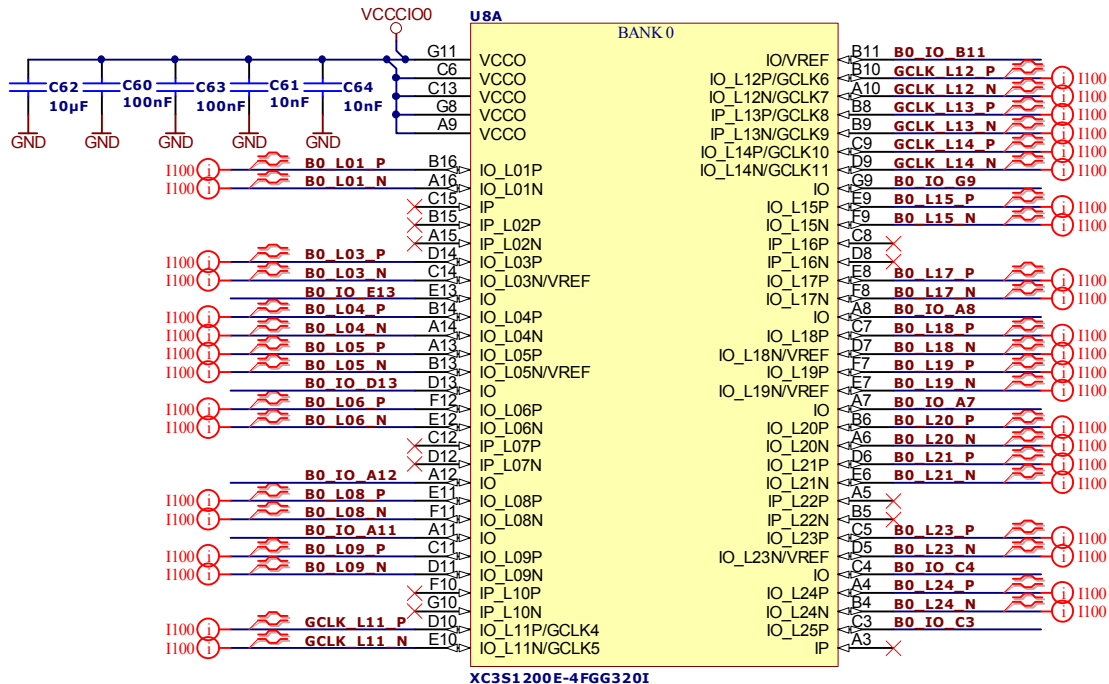
	Title: FX2 USB		
	A4	Nummer: TE0300	Rev. 00
	Datum: 2008-01-03	Zeichner: Trenz Electronic GmbH / TT	Blatt 5 von 8
	Filename: 04.SchDoc		



E17 is IO in XC3S500



		Title: DDR Ram	
		A4	Nummer: TE0300 Datum: 2008-01-03 Zeichner: Trenz Electronic GmbH / TT Filename: 05.SchDoc
		Rev. 00	Blatt 6 von 8



Title: B2B Connector J4			
A4	Nummer: TE0300	Rev. 00	
Datum: 2008-01-03	Zeichner: Trenz Electronic GmbH / TT	Blatt 7 von 8	
Filename: 06.Sch.Doc			

