

Signals
Signals.SchDoc



LOGO1

TE Logo on Top Layer

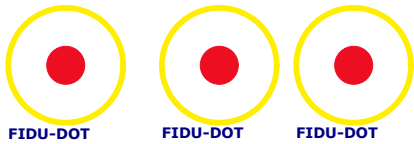
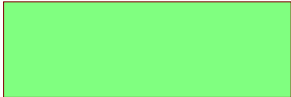
LOGO TOP

WEEE

WEEE on Top Layer

WEEE TOP

Connector
Connector.SchDoc



FIDU-DOT

FIDU-DOT

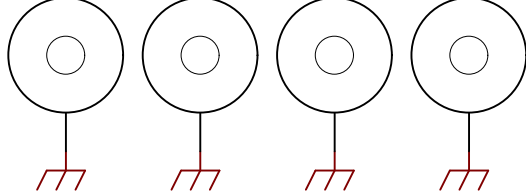
FIDU-DOT

MHole3.2mm

MHole3.2mm

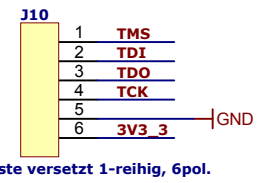
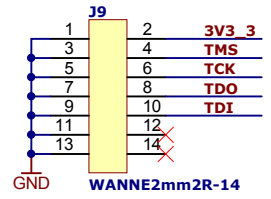
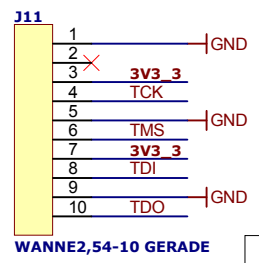
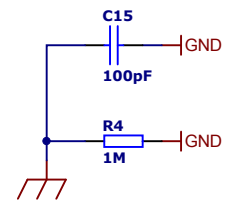
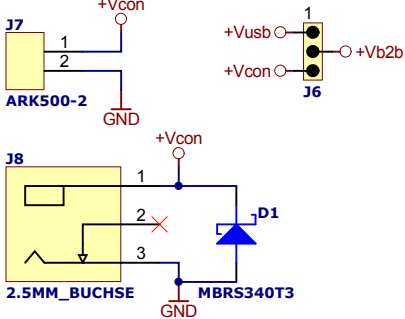
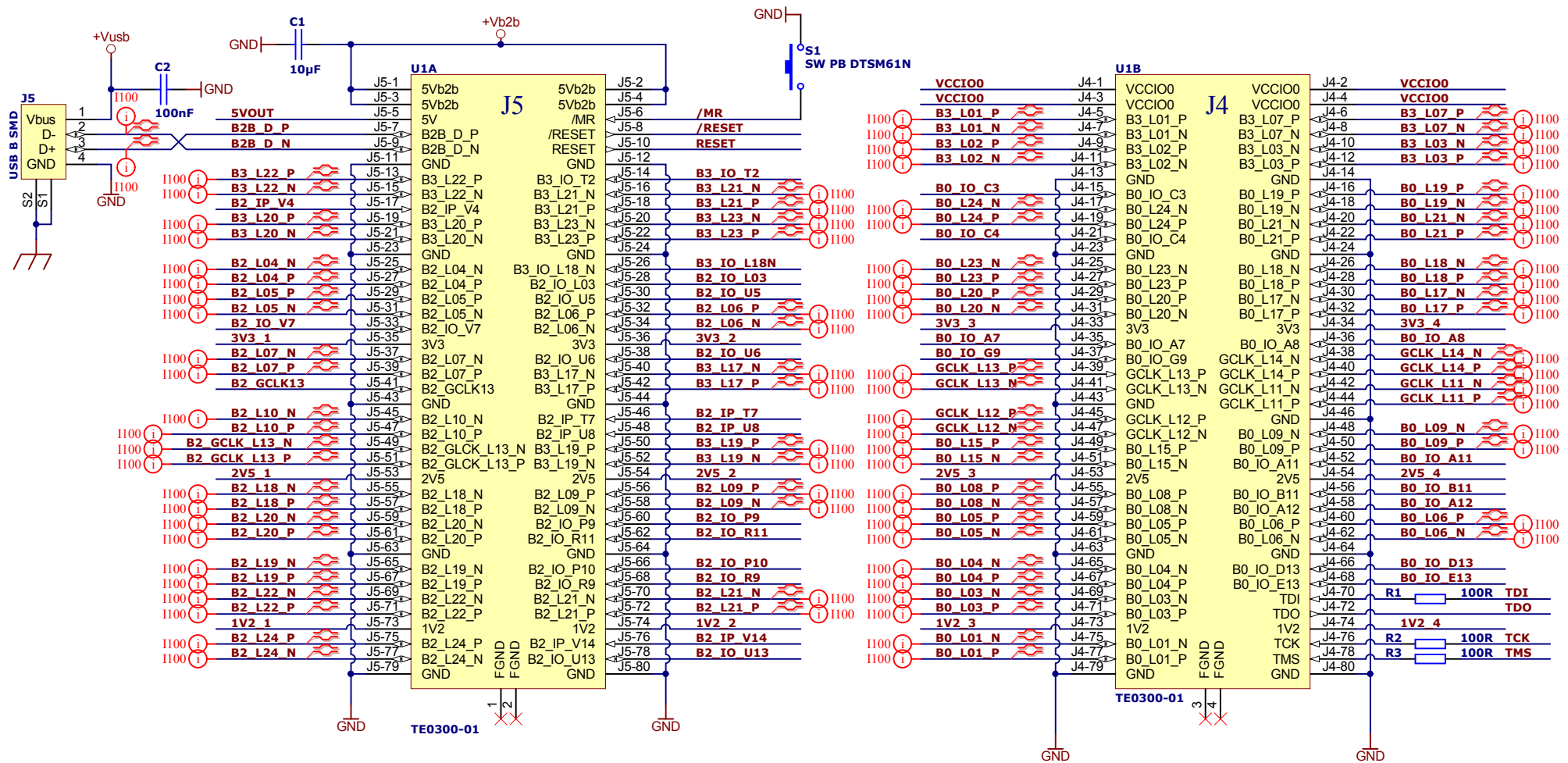
MHole3.2mm

MHole3.2mm

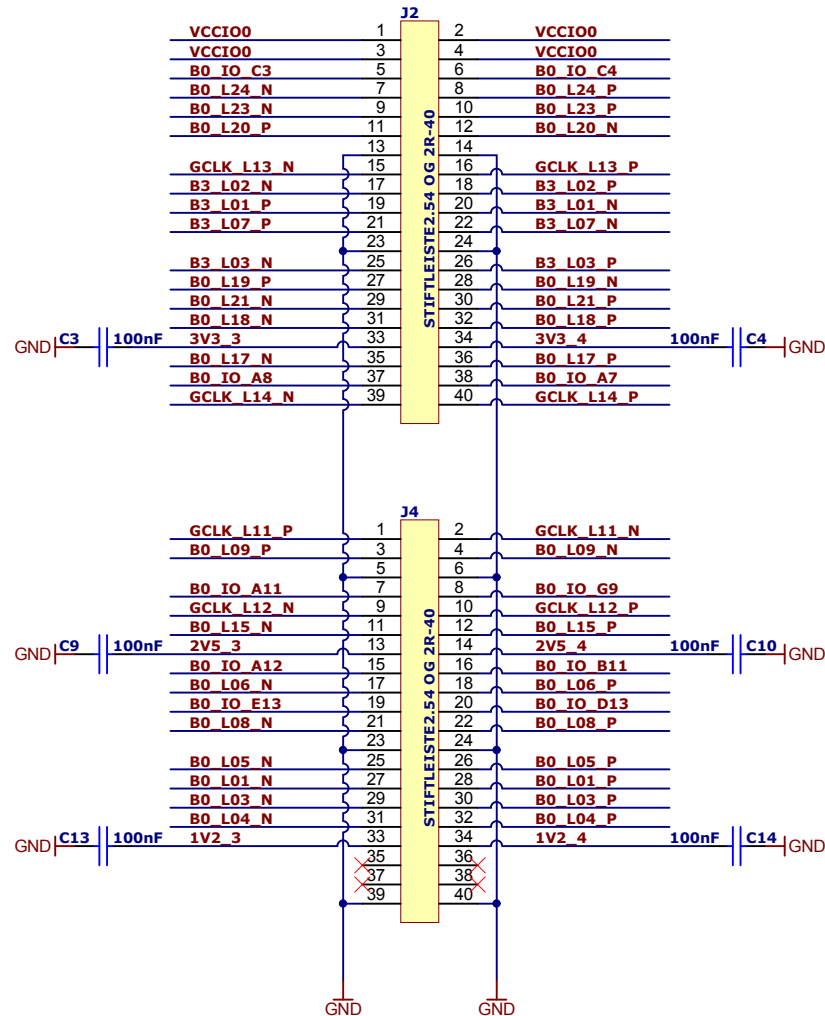
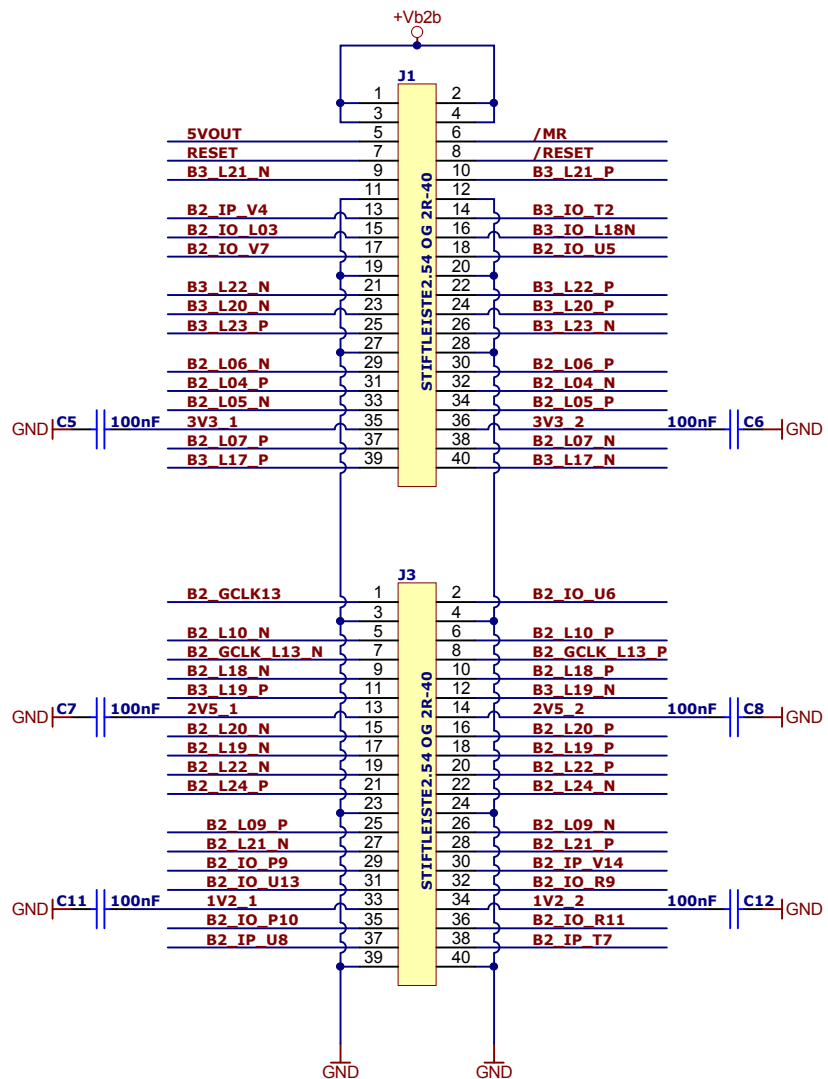


Cannot open file
B:\Protel
Vorlagen\TEMPL\logo
4.wmf

Title: Header Baseboard - Main Sheet			
A4	Nummer: TE0303	Rev. 01	
Datum: 2010-03-19	Zeichner: Trenz Electronic GmbH	Blatt 1 von 3	
Filename: Main.SchDoc			



Cannot open file B:\Protel Vorlagen\TEMPL\logo 4.wmf			
Title: Header Baseboard - TE0140 Module			
A4	Nummer: TE0303	Rev. 01	
Datum: 2010-03-19	Zeichner: Trenz Electronic GmbH		Blatt 2 von 3
Filename: Signals.SchDoc			



Cannot open file B:\Protel Vorlagen\TEMPL\logo 4.wmf		Title: Header Baseboard - Headers	
A4	Nummer: TE0303	Rev. 01	
Datum: 2010-03-19	Zeichner: Trenz Electronic GmbH	Blatt 3 von 3	
Filename: Connector.SchDoc			