

Signals
Signals.SchDoc



LOGO1

TE Logo on Top Layer

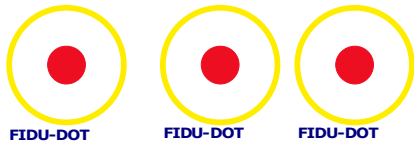
LOGO TOP

WEEE

WEEE on Top Layer

WEEE TOP

Connector
Connector.SchDoc



FIDU-DOT

FIDU-DOT

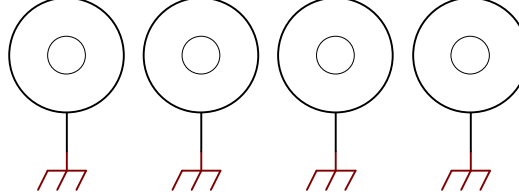
FIDU-DOT

MHole3.2mm

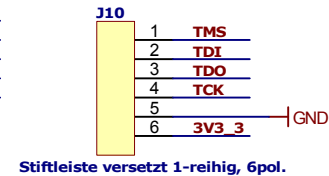
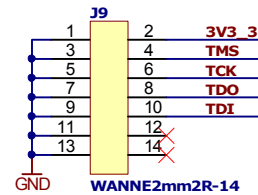
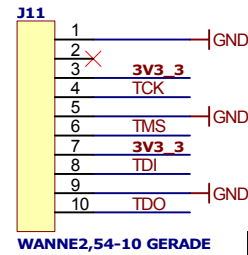
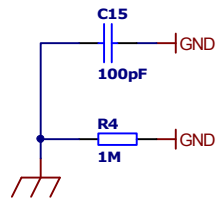
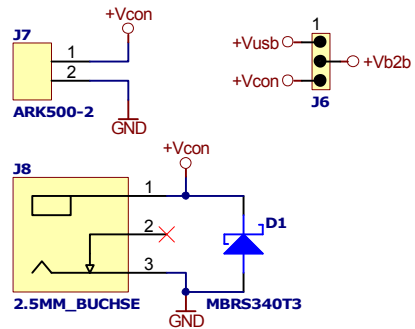
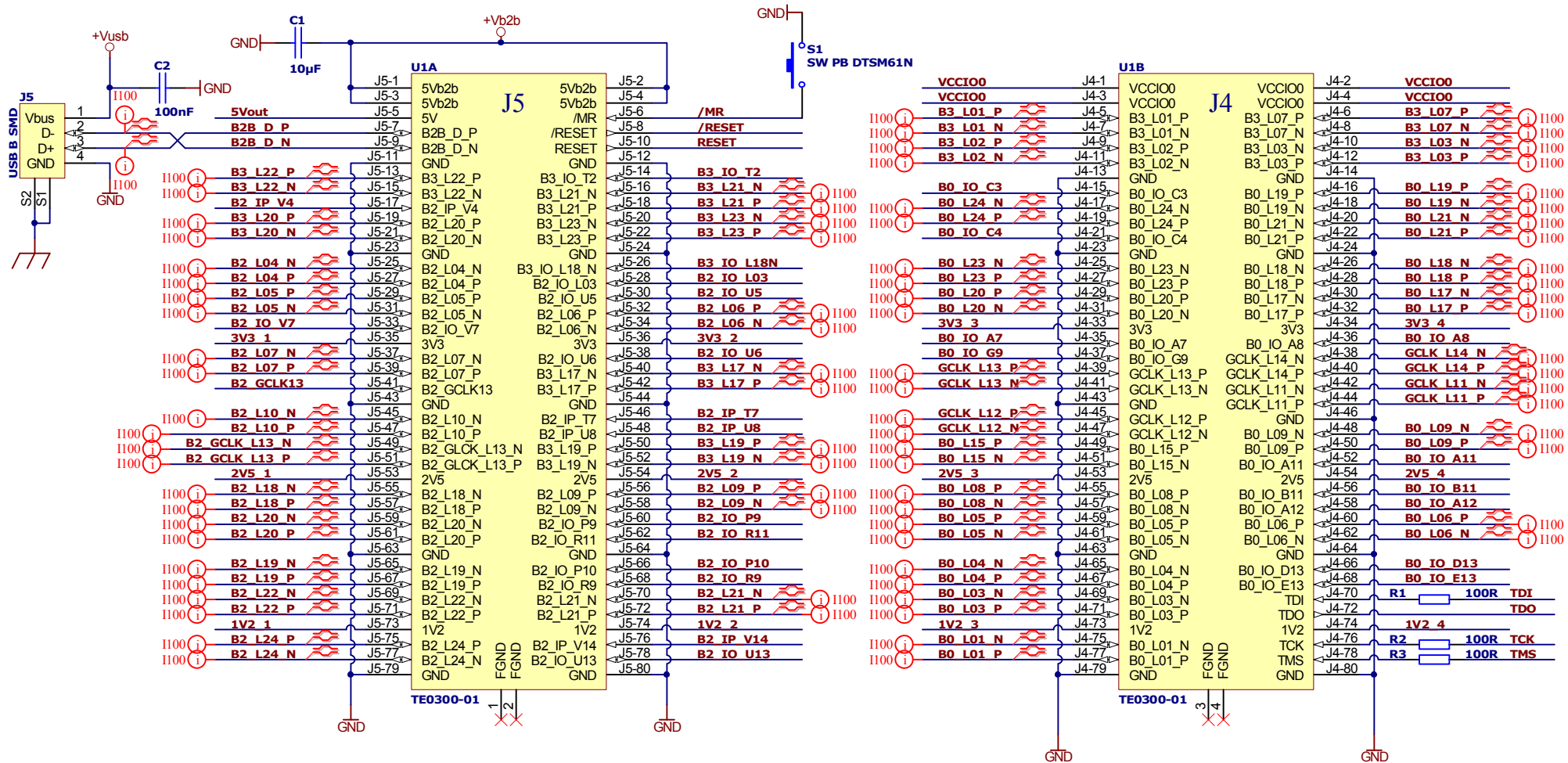
MHole3.2mm

MHole3.2mm

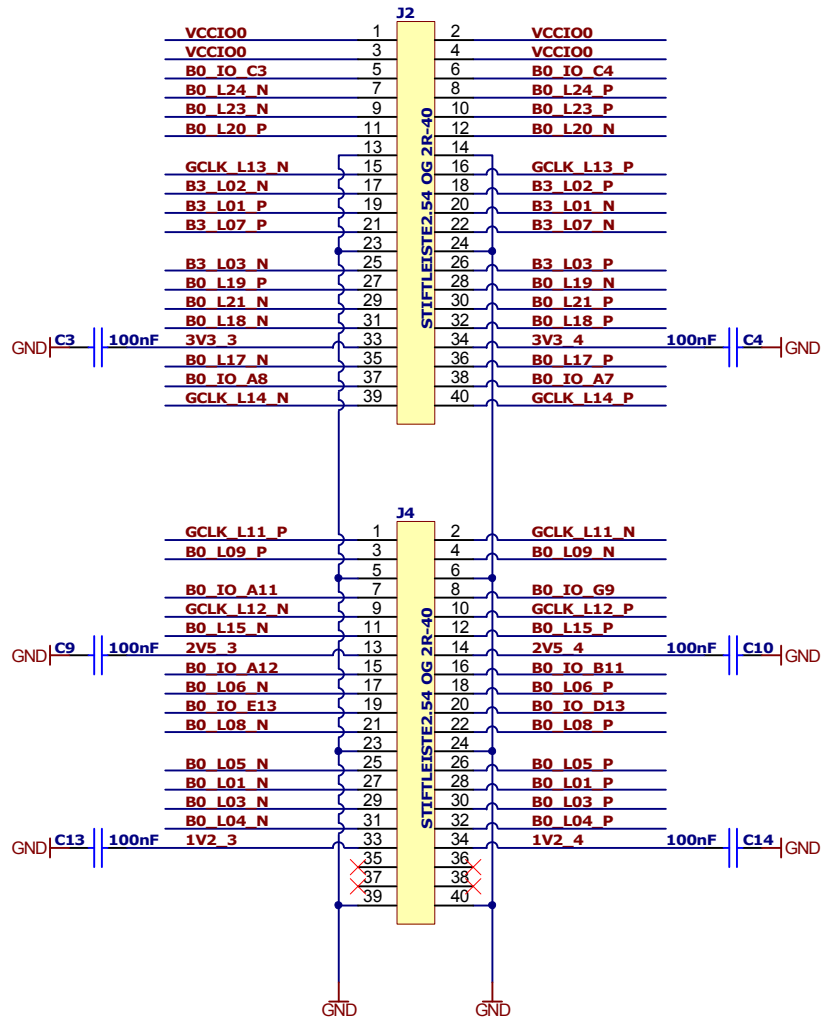
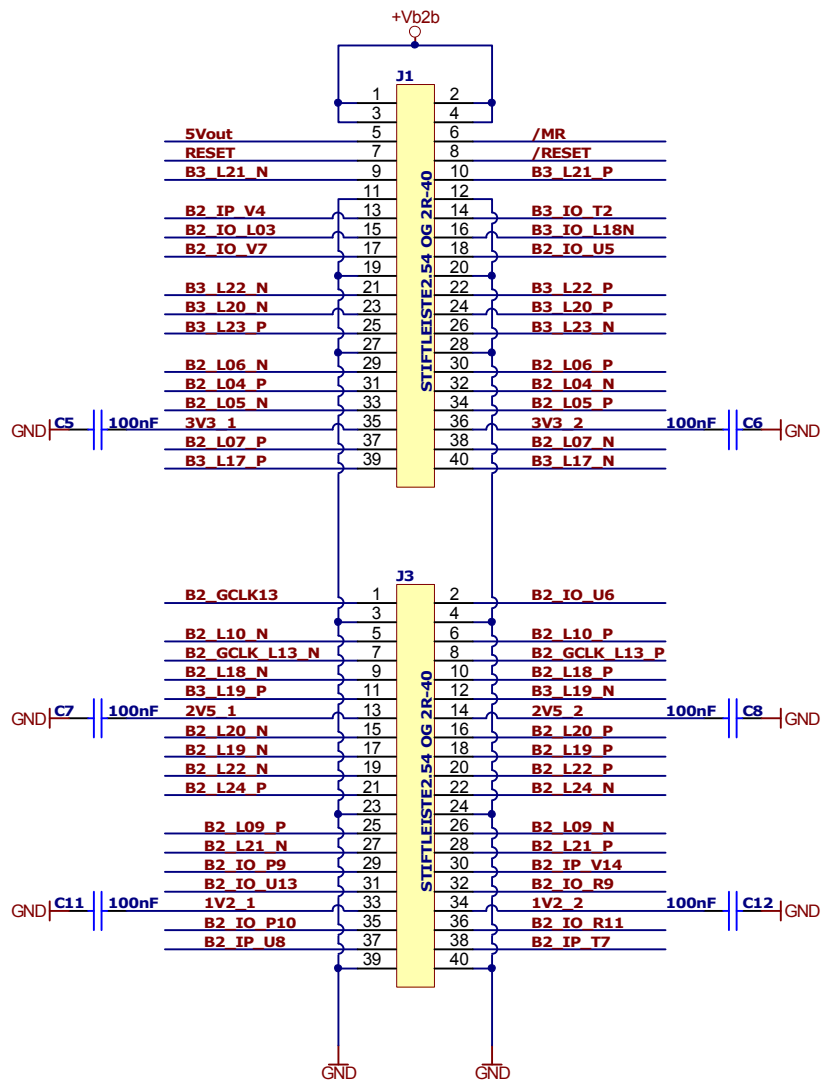
MHole3.2mm



	Title: Header Baseboard - Main Sheet		
	A4	Nummer: TE0303	Rev. 00
	Datum: 2008-07-08	Zeichner: Trenz Electronic GmbH	Blatt 1 von 3
	Filename: Main.SchDoc		



		Title: Header Baseboard - TE0140 Module	
		A4	Nummer: TE0303
Datum: 2008-07-08		Zeichner: Trenz Electronic GmbH	
Filename: Signals.SchDoc		Blatt 2 von 3	



Title: Header Baseboard - Headers		
A4	Nummer: TE0303	Rev. 00
Datum: 2008-07-08	Zeichner: Trenz Electronic GmbH	Blatt 3 von 3
Filename: Connector.SchDoc		