

1

2

3

4

Signals
Signals.SchDoc



LOGO1

TE Logo on Top Layer

LOGO TOP

WEEE

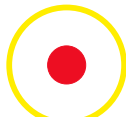
WEEE on Top Layer

WEEE TOP

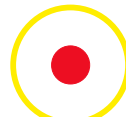
Connector
Connector.SchDoc



VGA
VGA.SchDoc



FIDU-DOT

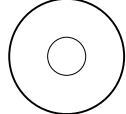


FIDU-DOT

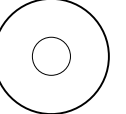


FIDU-DOT

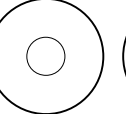
MHole3.2mm



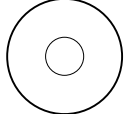
MHole3.2mm



MHole3.2mm



MHole3.2mm



Title: Overview		
A4	Nummer: TE0304 - Demo Baseboard	Rev. 00
Datum: 2009-04-16	Zeichner: Trenz Electronic GmbH	Blatt 1 von 4
Filename: Main.SchDoc		

1

2

3

4

A

A

B

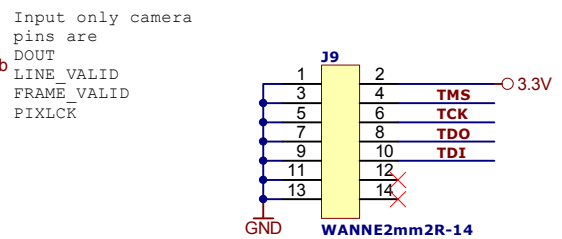
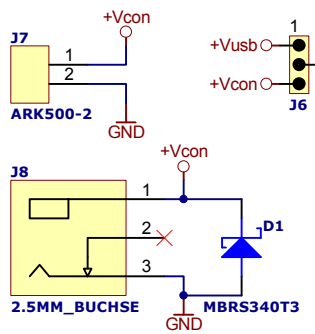
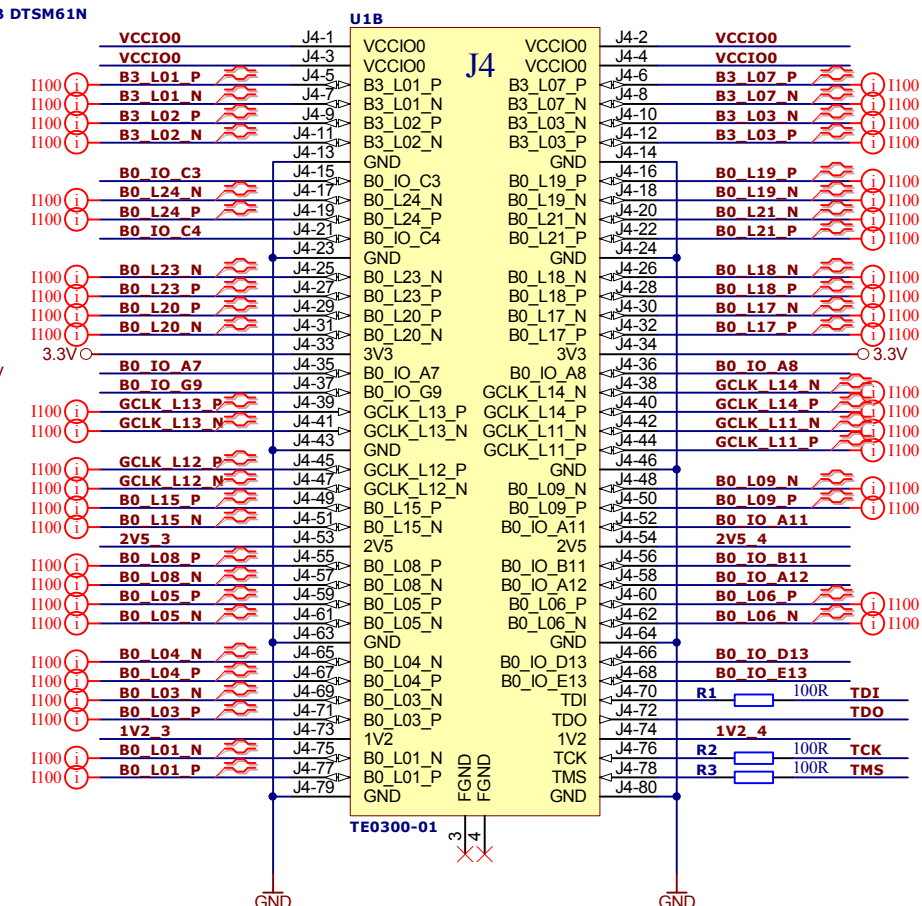
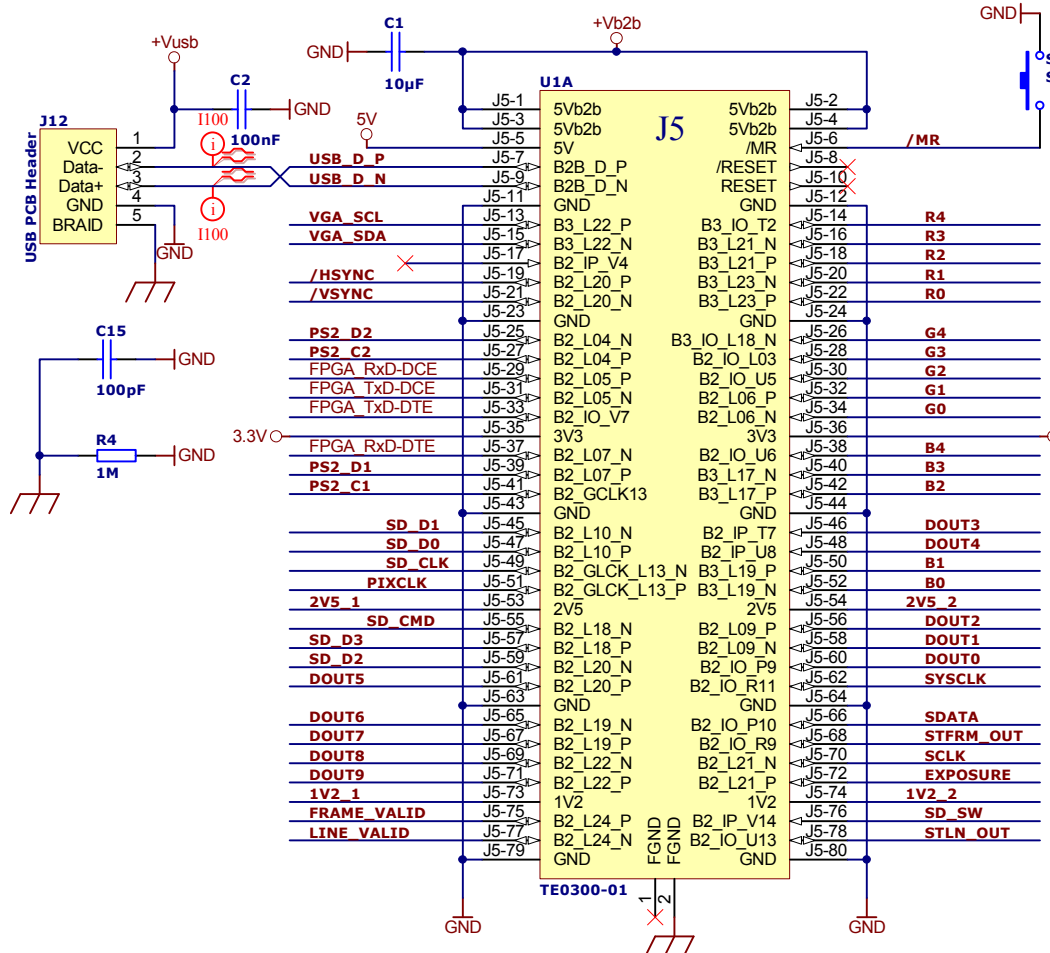
B

C

C

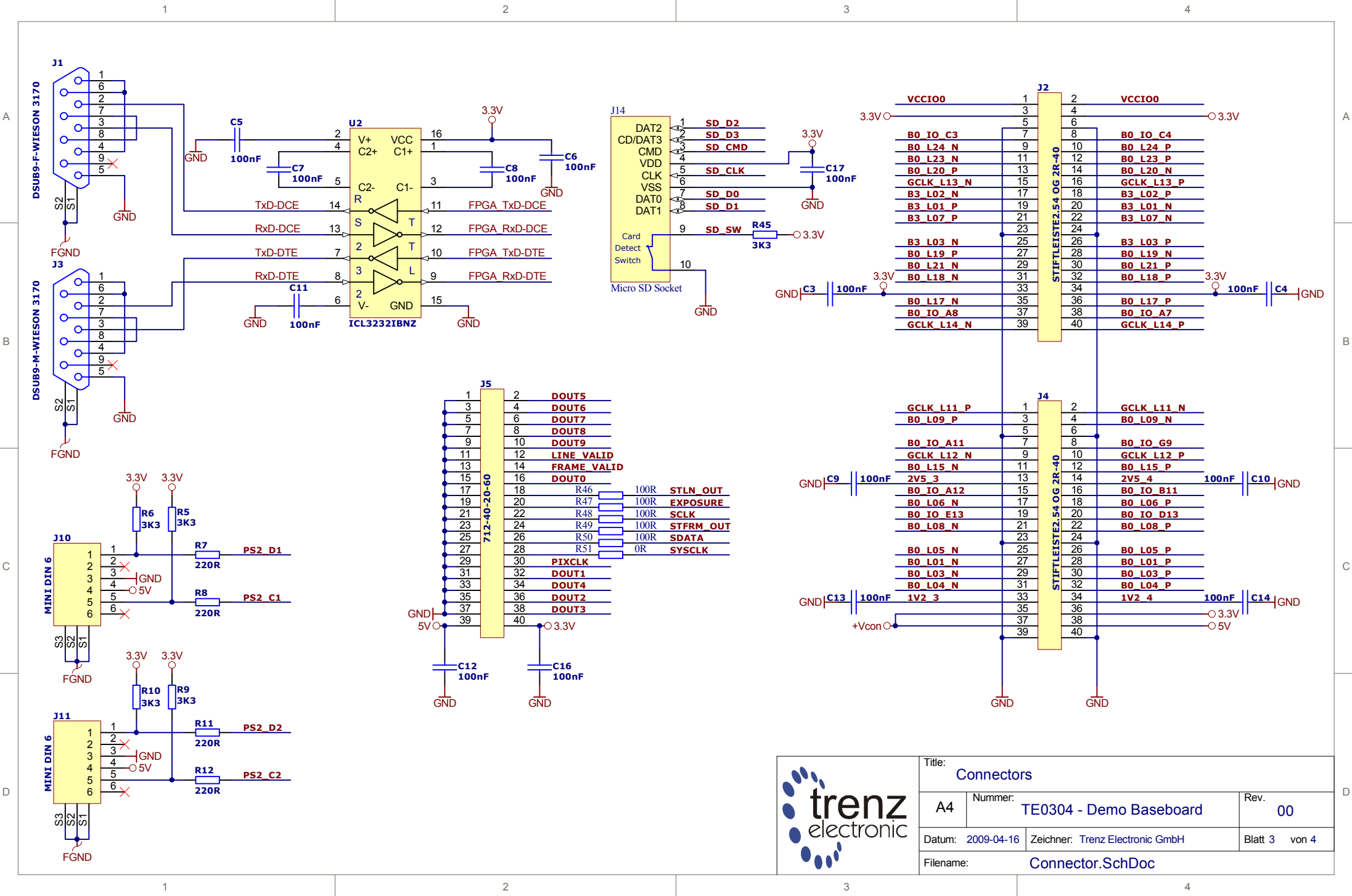
D


D

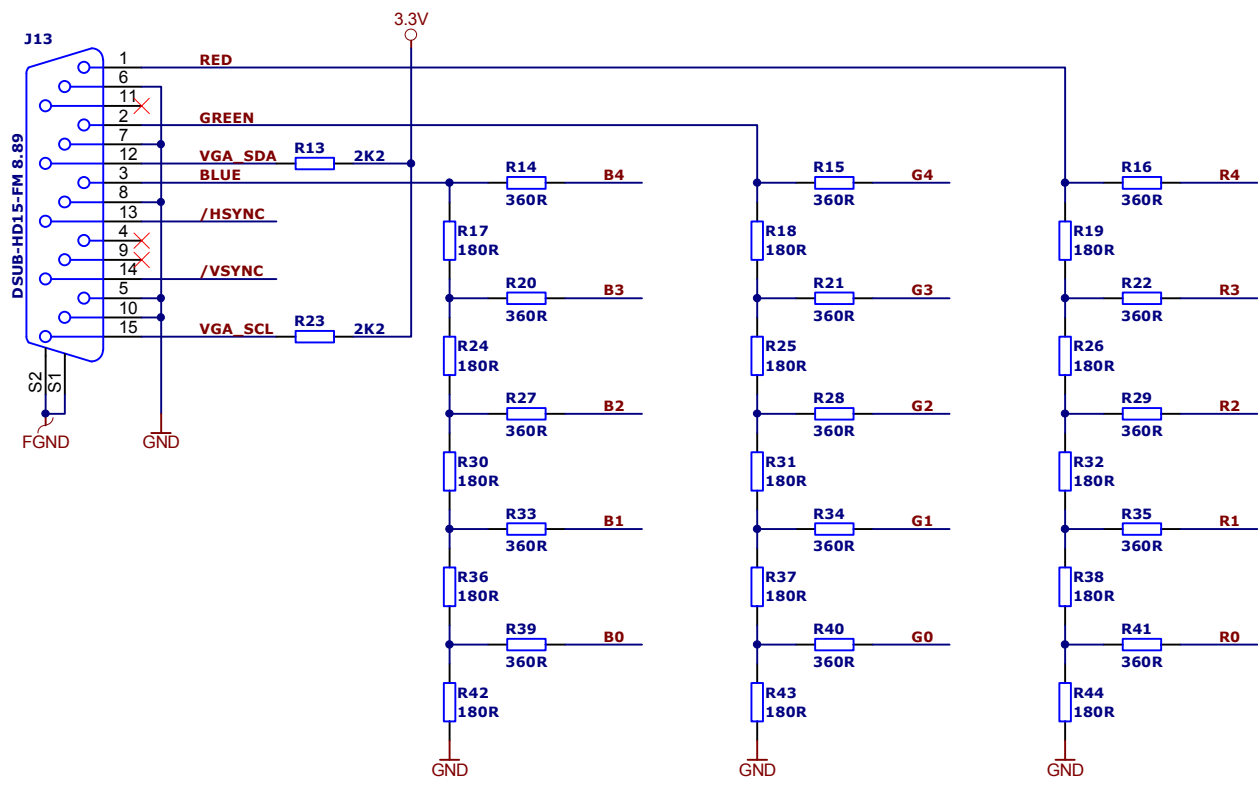


Title: **Header Baseboard - Module Connections**

A4	Number: TE0304 - Demo Baseboard	Rev. 00
Datum: 2009-04-16	Zeichner: Trenz Electronic GmbH	Blatt 2 von 4
Filename: Signals.SchDoc		



		Title: Connectors	
		A4	Nummer: TE0304 - Demo Baseboard Rev. 00
Datum: 2009-04-16		Zeichner: Trenz Electronic GmbH	
Filename: Connector.SchDoc		Blatt 3 von 4	



Title: VGA		
A4	Nummer: TE0304 - Demo Baseboard	Rev. 00
Datum: 2009-04-16	Zeichner: Trenz Electronic GmbH / TT	Blatt 4 von 4
Filename: VGA.SchDoc		