

Signals
Signals.SchDoc



LOGO1

TE Logo on Layer 5

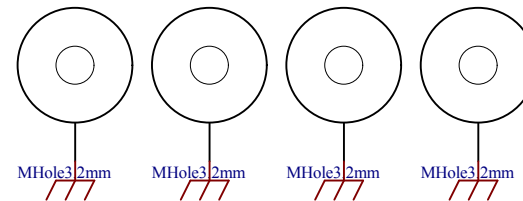
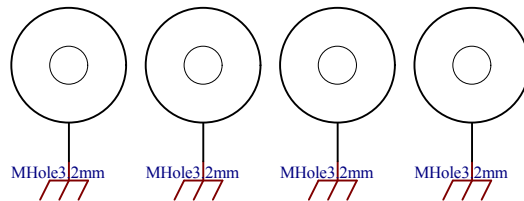
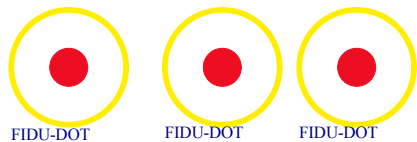
LOGO 5

WEEE1

WEEE on Layer 5

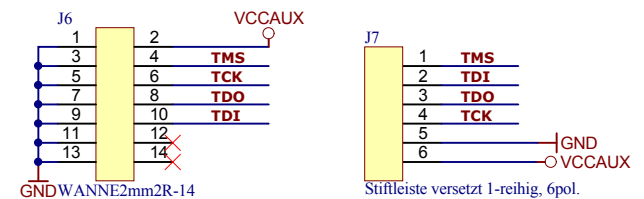
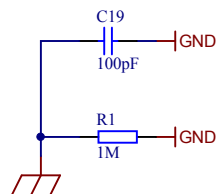
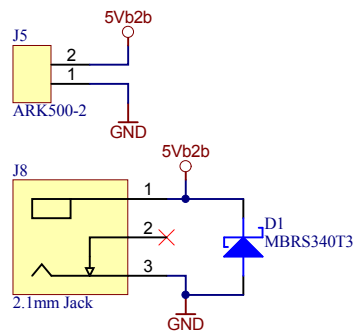
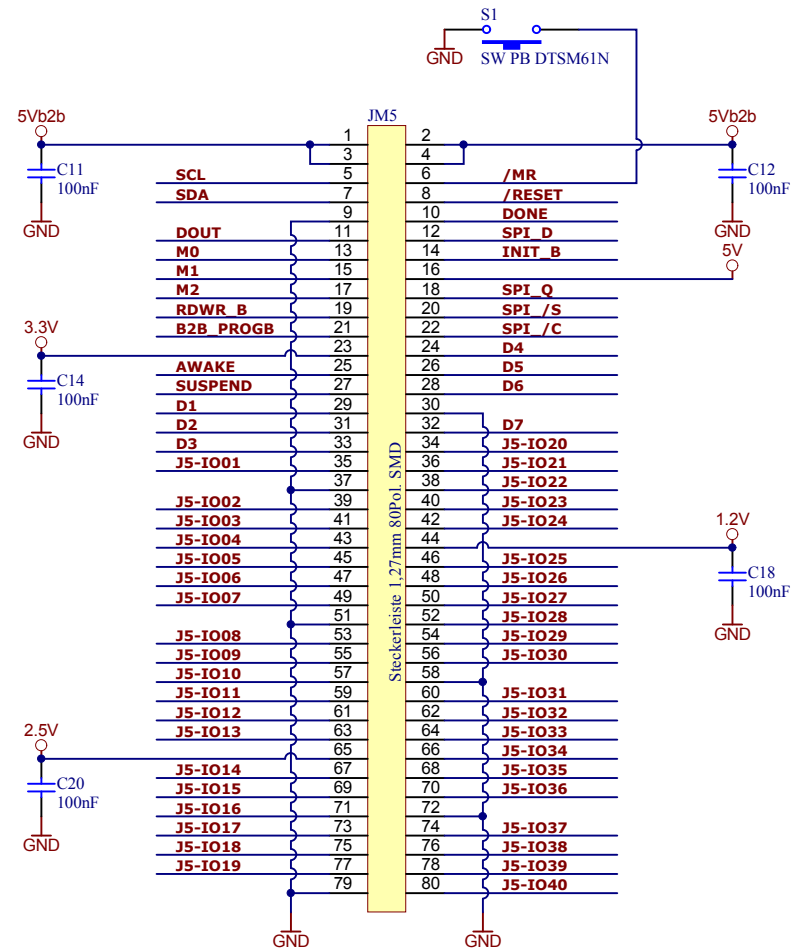
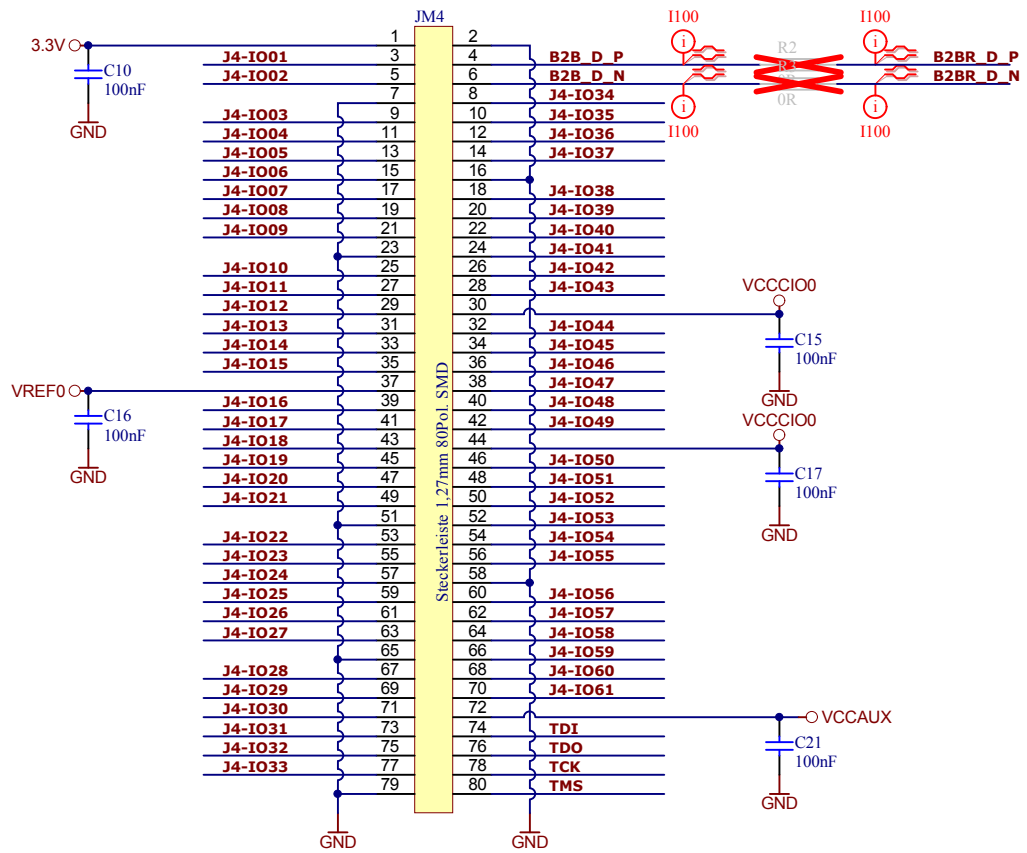
WEEE 5

Connector
Connector.SchDoc

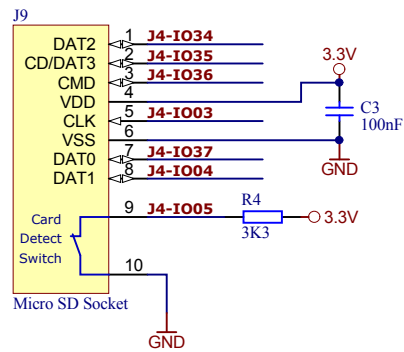
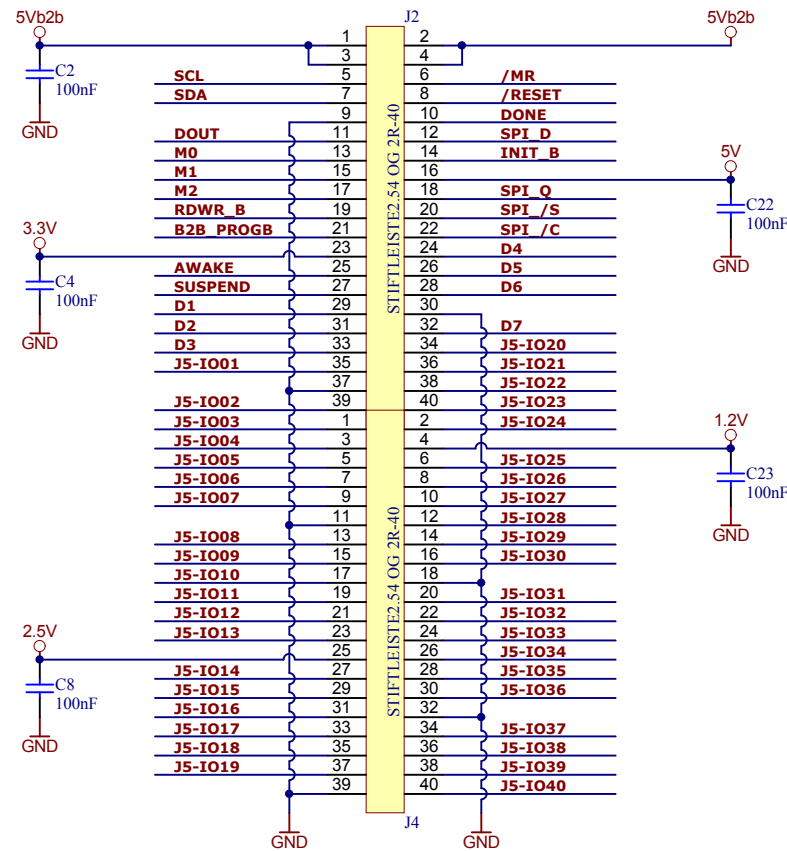
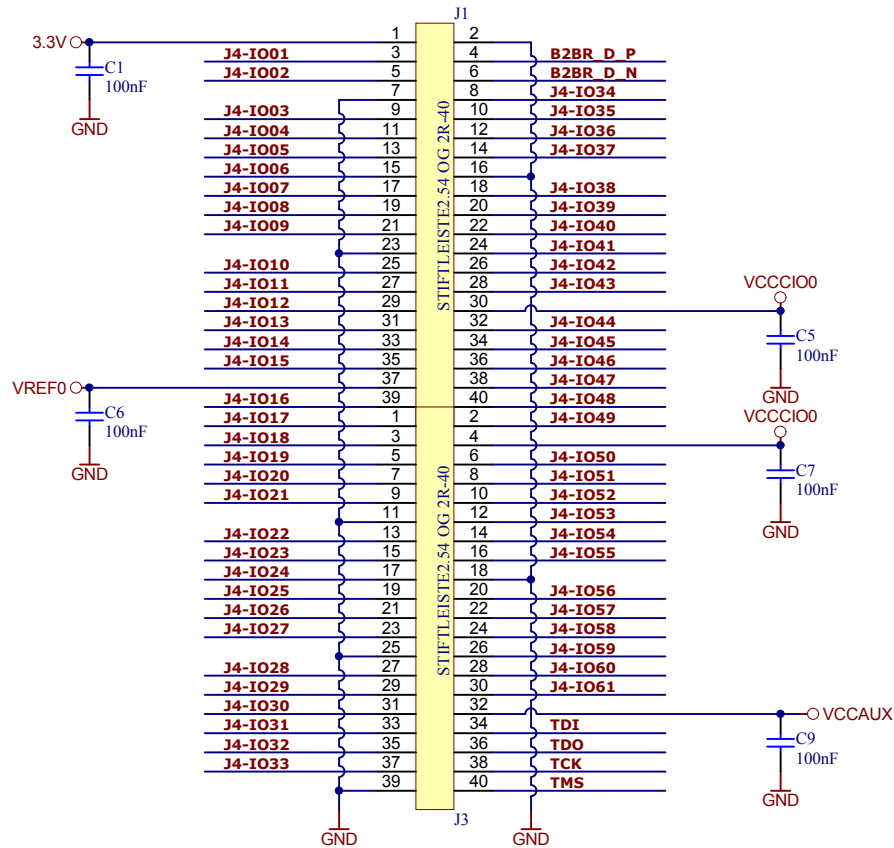


Cannot open file
B:\Protel
Vorlagen\TEMPL\logo
4.wmf

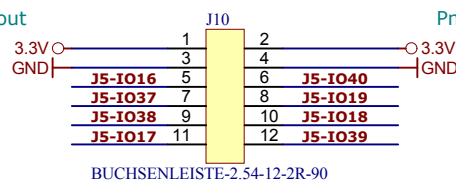
Title: Header Baseboard - TE0320 Module			
A4	Nummer: TE0323	Rev. 00	
Datum: 2008-07-08	Zeichner: Trenz Electronic GmbH		Blatt 1 von 3
Filename: Main.SchDoc			



Cannot open file B:\Protel Vorlagen\TEMPL\logo 4.wmf			
Title: Header Baseboard - TE0320 Module			
A4	Nummer: TE0323	Rev. 00	
Datum: 2008-07-08	Zeichner: Trenz Electronic GmbH		Blatt 2 von 3
Filename: Signals.SchDoc			

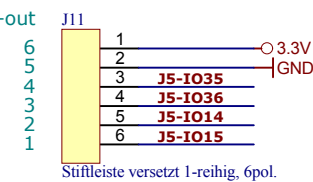


Pmod pin-out



Pmod pin-out

Pmod pin-out



Cannot open file B:\Protel Vorlagen\TEMPL\logo 4.wmf				Title: Header Baseboard - Headers	
A4	Number: TE0323		Rev. 00		
Datum: 2008-07-08		Zeichner: Trenz Electronic GmbH		Blatt 3 von 3	
Filename: Connector.SchDoc					