

LOGO1

TE Logo PRINT Layer

LOGO PRINT

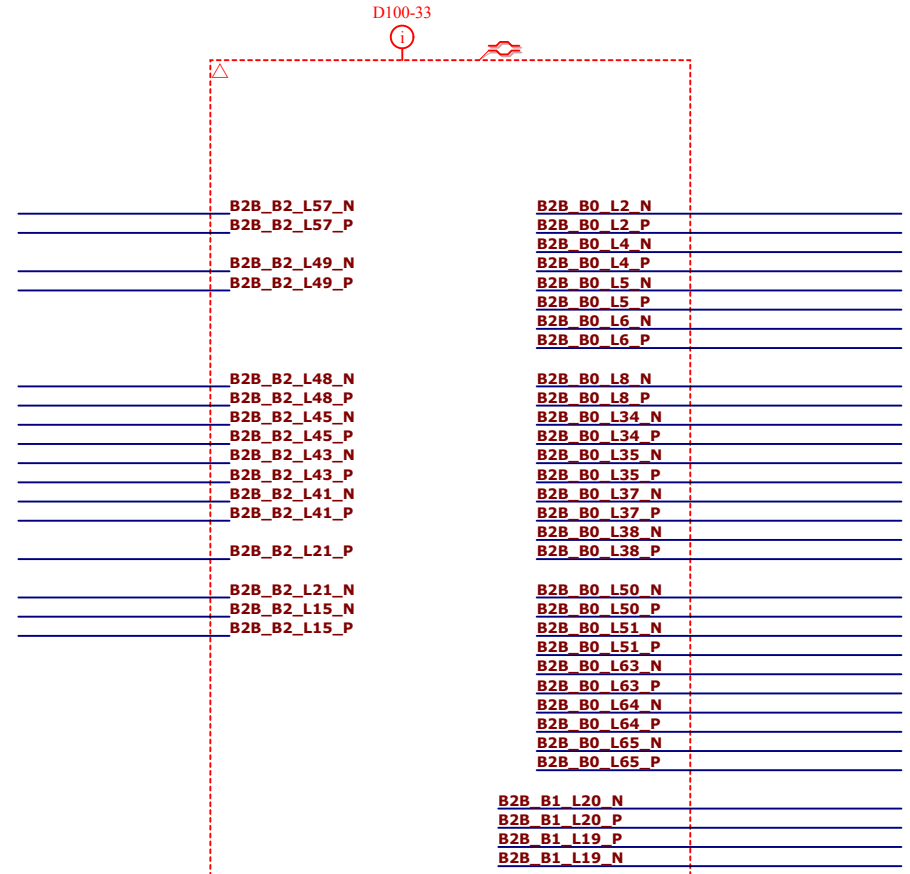
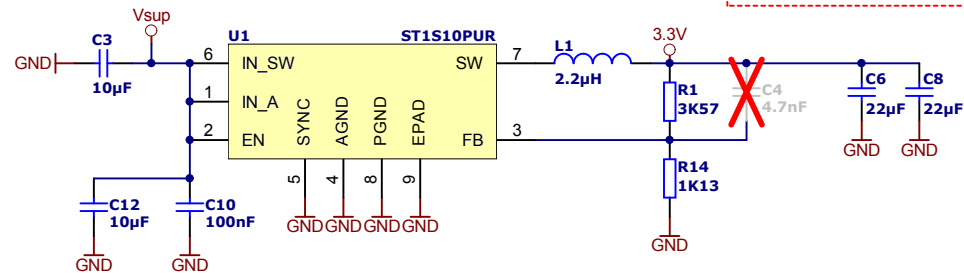
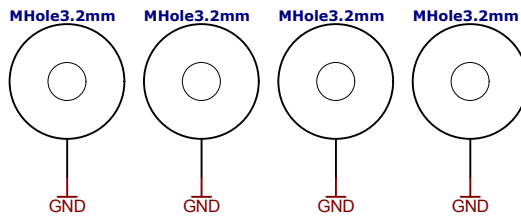
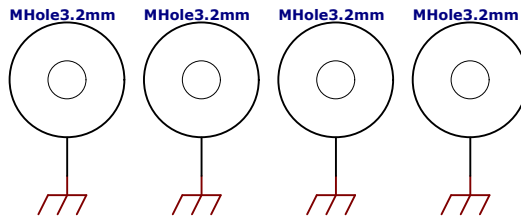
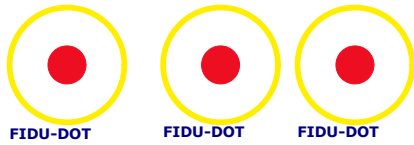
Signals
Signals.SchDoc



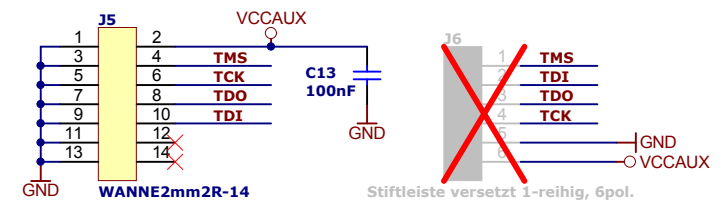
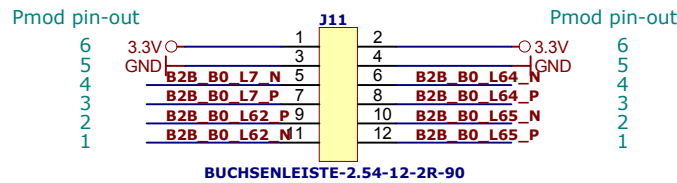
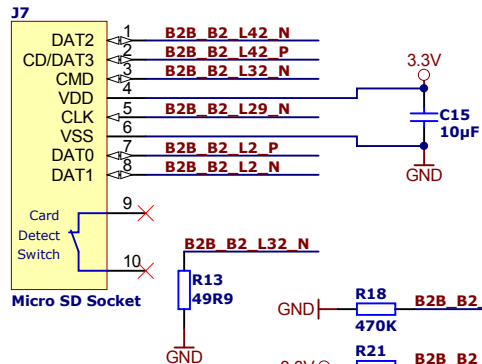
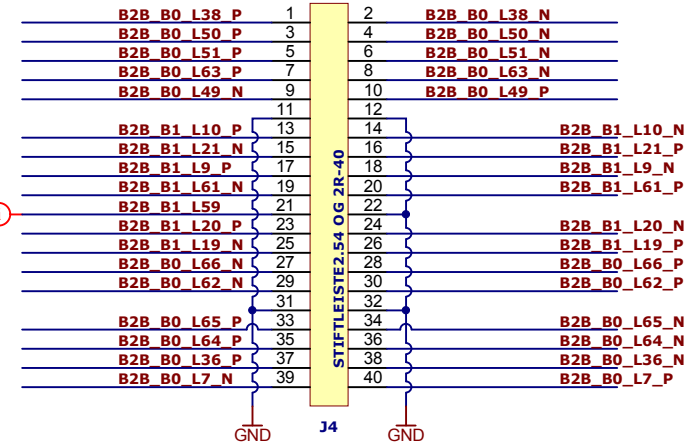
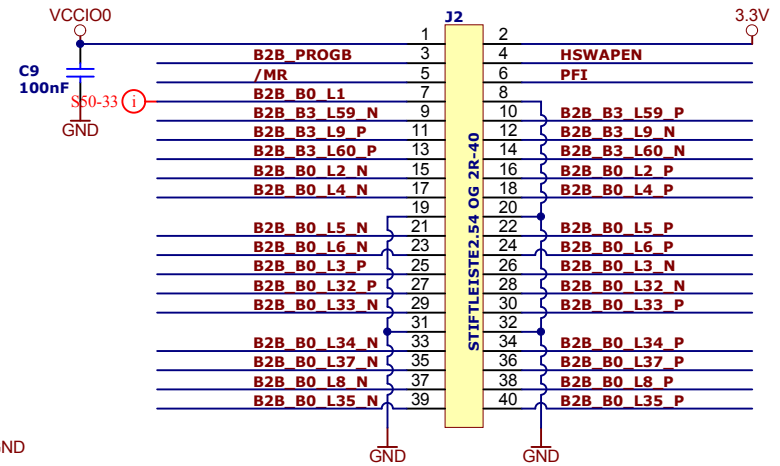
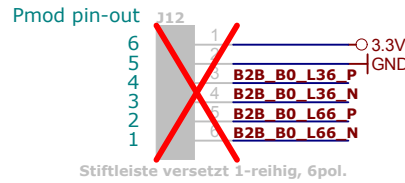
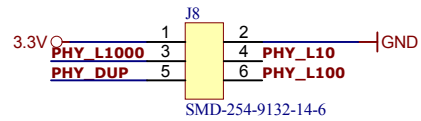
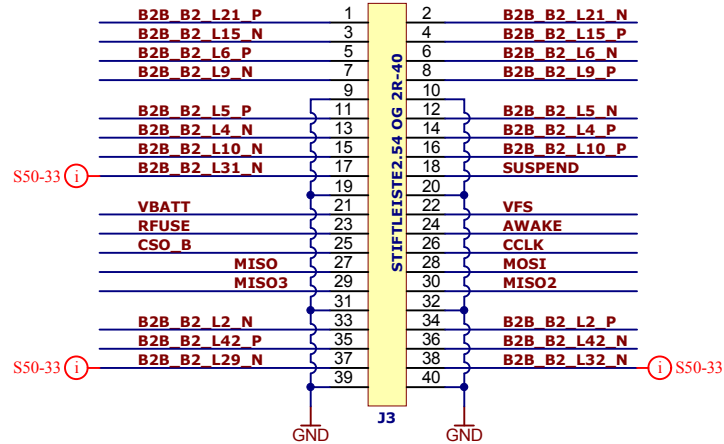
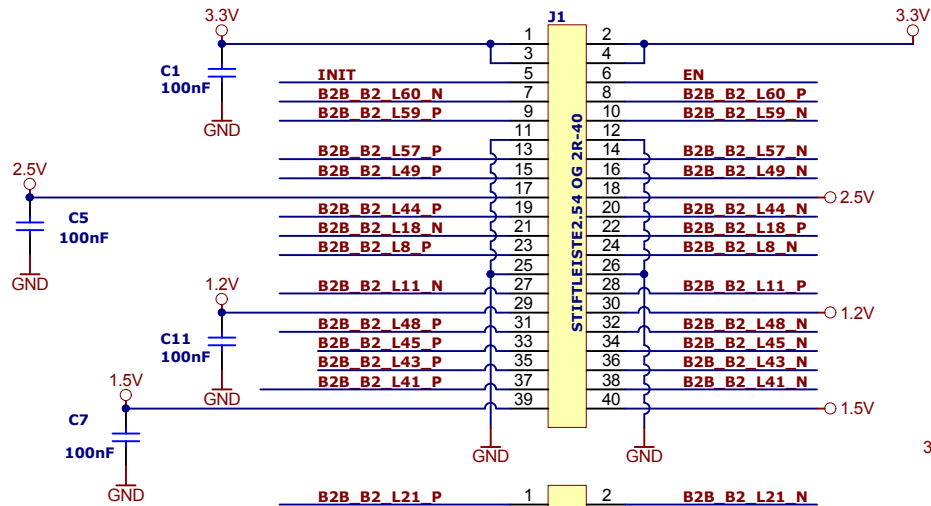
Signals
Ethernet.SchDoc



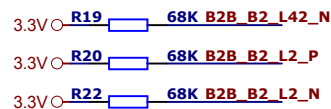
Connector
Connector.SchDoc



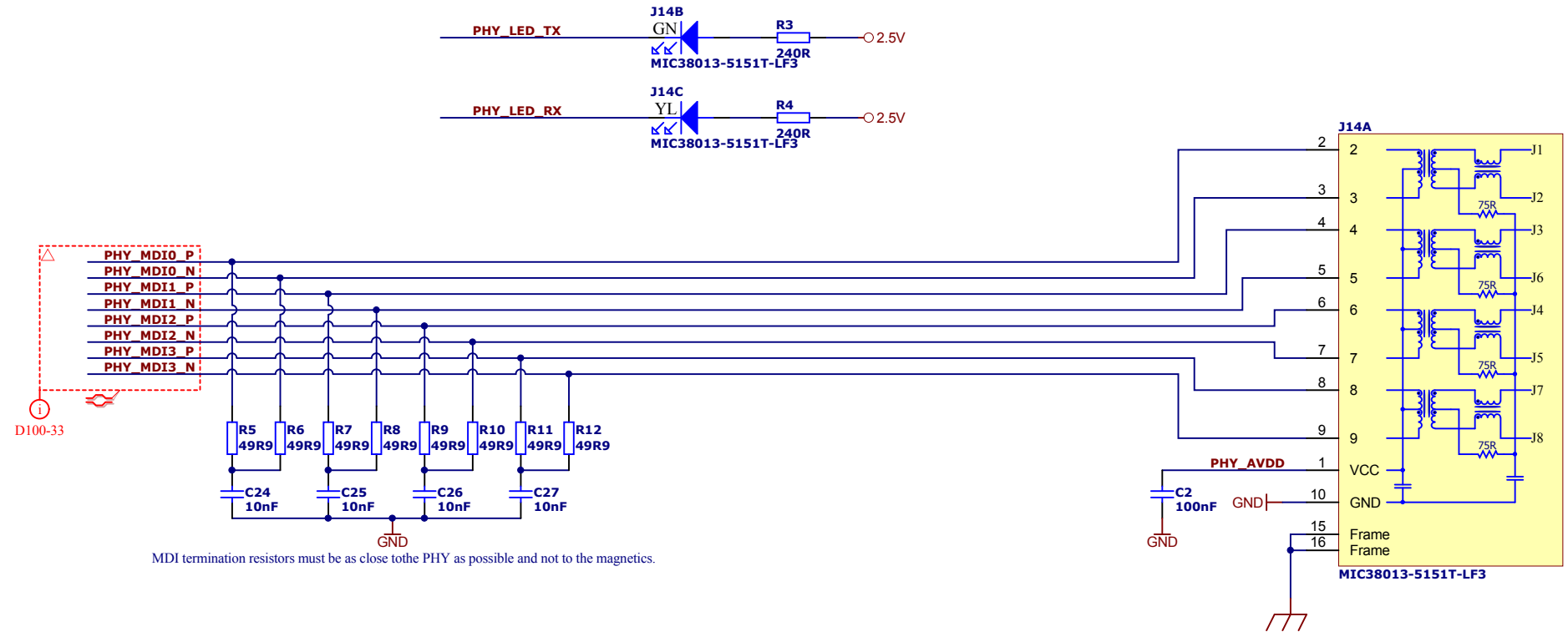
Cannot open file B:\Protel Vorlagen\TEMPL\logo 4.wmf		Title: TE0603 Header Baseboard for TE0600 Module	
A4	Nummer: TE0603	Rev. 01	
Datum: 2011-03-23	Zeichner: Trenz Electronic GmbH	Blatt 1 von 4	
Filename: Main.SchDoc			



VCCIO0 = 3.3V for PMOD Slots usable



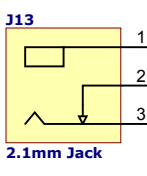
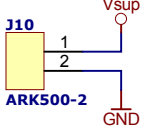
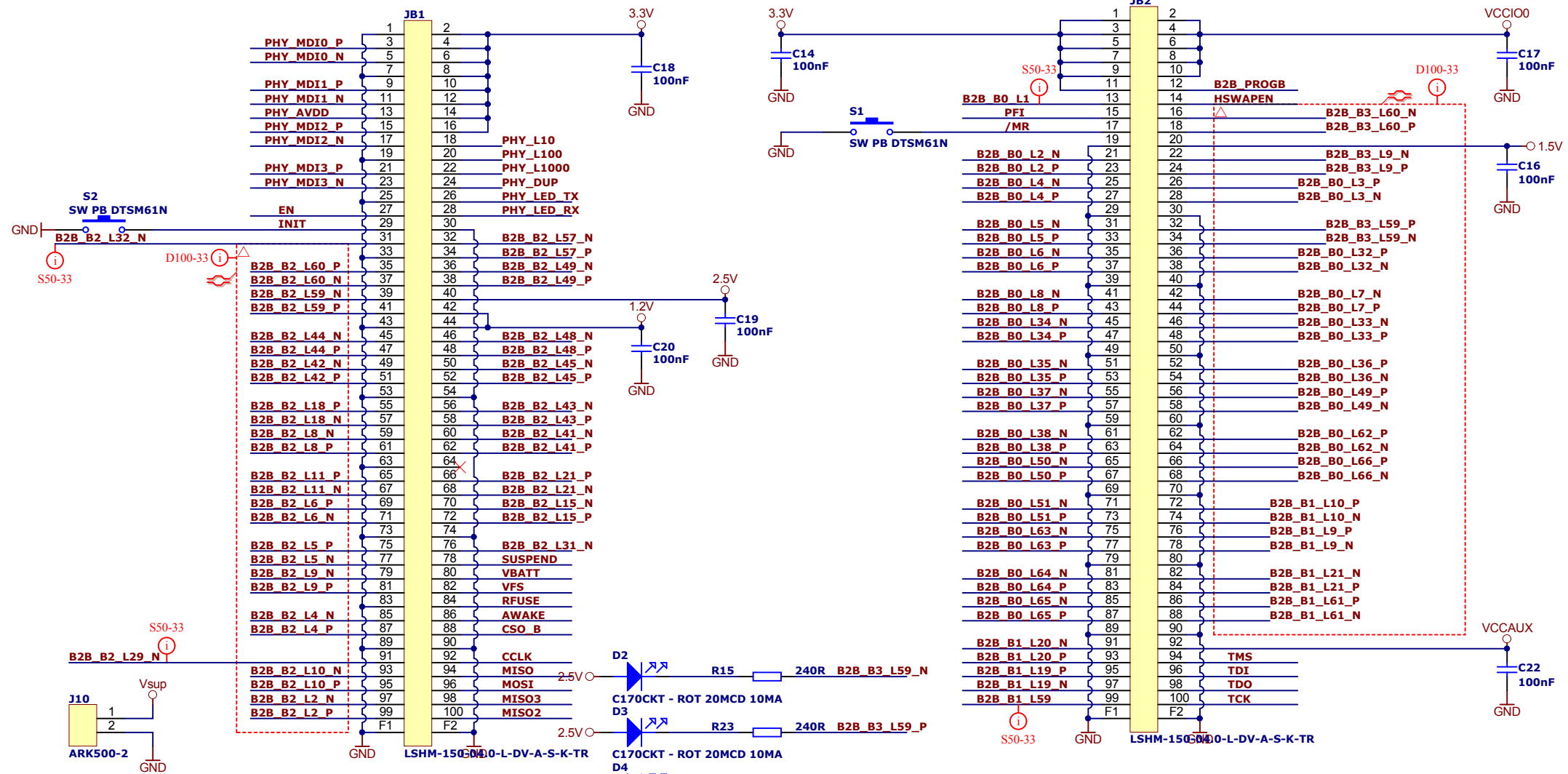
Cannot open file B:\Protel Vorlagen\TEMPL\logo 4.wmf		Title: Header Baseboard - Headers	
A4	Nummer: TE0603	Rev. 01	
Datum: 2011-03-23		Zeichner: Trenz Electronic GmbH	
Blatt 2		von 4	
Filename: Connector.SchDoc			



MDI termination resistors must be as close to the PHY as possible and not to the magnetics.

	Title: Ethernet		
	A4	Nummer: TE0603 Ethernet	Rev. 01
	Datum: 2011-03-23	Zeichner: Trenz Electronic GmbH	Blatt 3 von 4
	Filename: Ethernet.SchDoc		

Enable pull ups in BitGen



Vsup = 4V - 18V

Att. when using these lines, B3 VCCIO = 1.5V

Cannot open file B:\Protel Vorlagen\TEMPL\logo 4.wmf				Title: Header Baseboard - B2B connectors	
A4	Number: TE0603	Rev. 01			
Datum: 2011-03-23		Zeichner: Trenz Electronic GmbH		Blatt 4 von 4	
Filename: Signals.SchDoc					