

**LOGO1**  
TE Logo PRINT Layer

**LOGO PRINT**

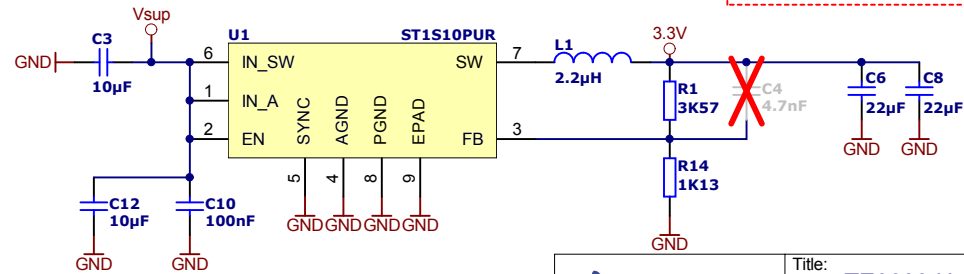
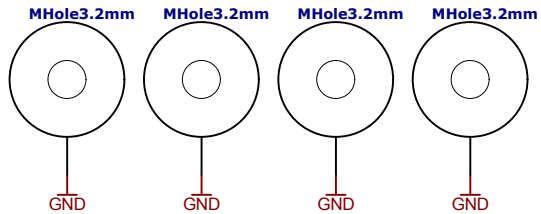
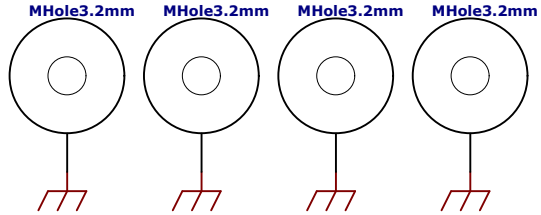
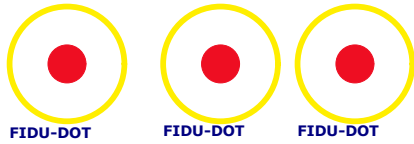
Signals  
Signals.SchDoc



Signals  
Ethernet.SchDoc



Connector  
Connector.SchDoc



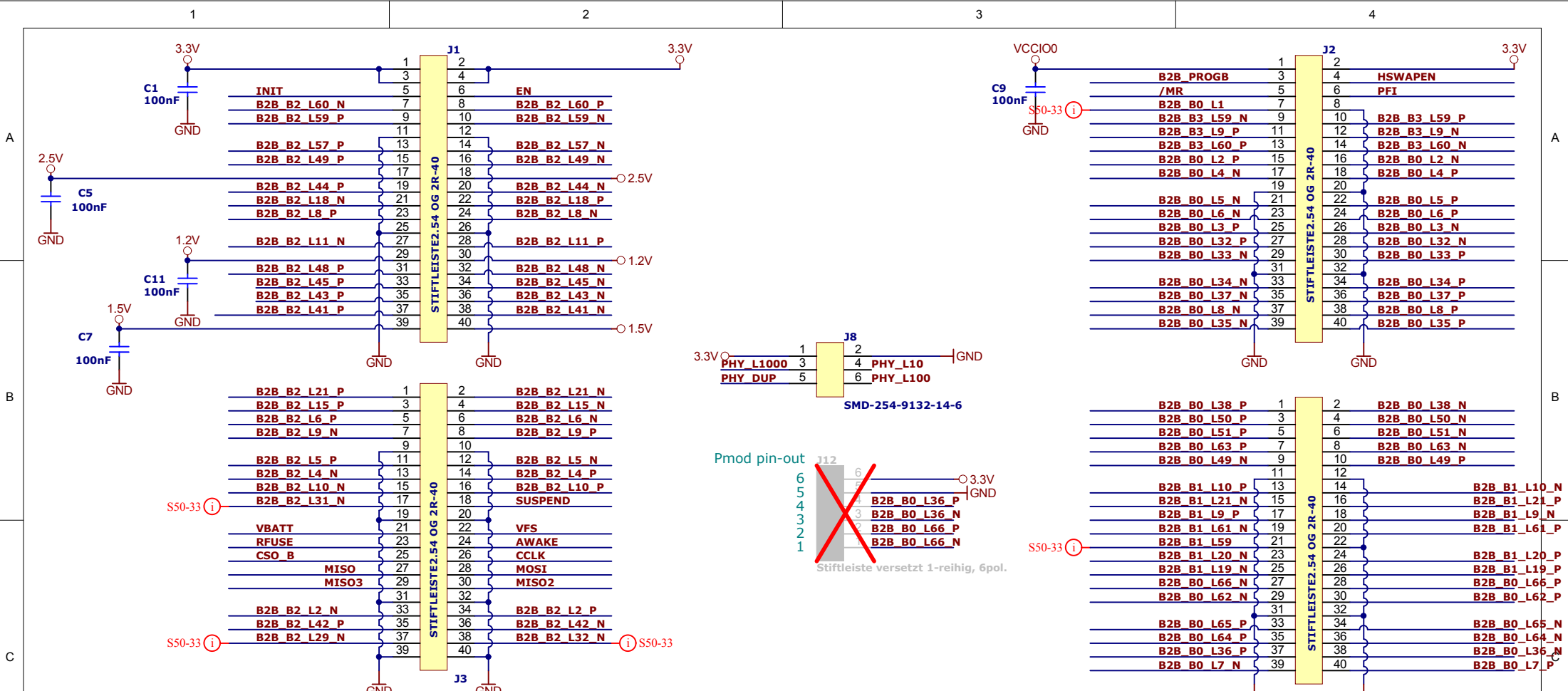
D100-33

- B2B\_B2\_L57\_N
- B2B\_B2\_L57\_P
- B2B\_B2\_L49\_N
- B2B\_B2\_L49\_P
- B2B\_B2\_L48\_N
- B2B\_B2\_L48\_P
- B2B\_B2\_L45\_N
- B2B\_B2\_L45\_P
- B2B\_B2\_L43\_N
- B2B\_B2\_L43\_P
- B2B\_B2\_L41\_N
- B2B\_B2\_L41\_P
- B2B\_B2\_L21\_P
- B2B\_B2\_L21\_N
- B2B\_B2\_L15\_N
- B2B\_B2\_L15\_P

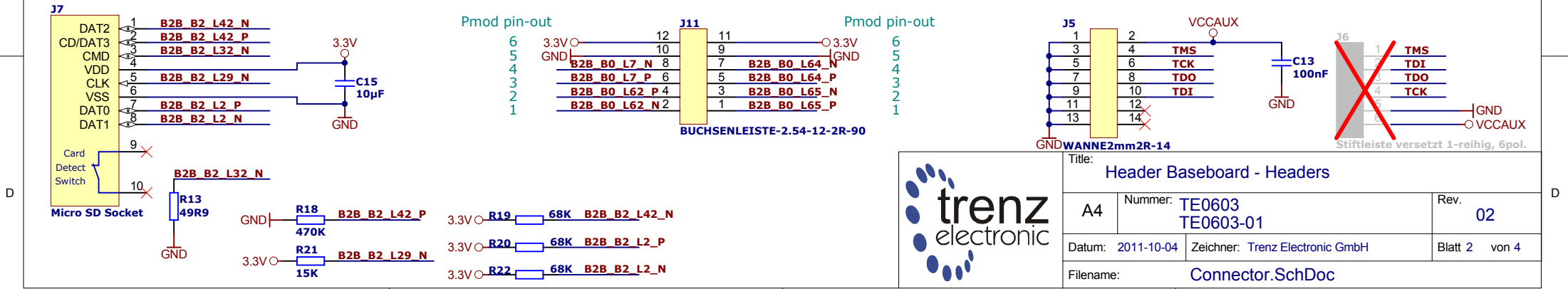
- B2B\_B0\_L2\_N
- B2B\_B0\_L2\_P
- B2B\_B0\_L4\_N
- B2B\_B0\_L4\_P
- B2B\_B0\_L5\_N
- B2B\_B0\_L5\_P
- B2B\_B0\_L6\_N
- B2B\_B0\_L6\_P
- B2B\_B0\_L8\_N
- B2B\_B0\_L8\_P
- B2B\_B0\_L34\_N
- B2B\_B0\_L34\_P
- B2B\_B0\_L35\_N
- B2B\_B0\_L35\_P
- B2B\_B0\_L37\_N
- B2B\_B0\_L37\_P
- B2B\_B0\_L38\_N
- B2B\_B0\_L38\_P
- B2B\_B0\_L50\_N
- B2B\_B0\_L50\_P
- B2B\_B0\_L51\_N
- B2B\_B0\_L51\_P
- B2B\_B0\_L63\_N
- B2B\_B0\_L63\_P
- B2B\_B0\_L64\_N
- B2B\_B0\_L64\_P
- B2B\_B0\_L65\_N
- B2B\_B0\_L65\_P
- B2B\_B1\_L20\_N
- B2B\_B1\_L20\_P
- B2B\_B1\_L19\_P
- B2B\_B1\_L19\_N



Title: TE0603 Header Baseboard for TE0600 Module		
A4	Nummer: TE0603 TE0603-01	Rev. 02
Datum: 2011-10-04	Zeichner: Trenz Electronic GmbH	Blatt 1 von 4
Filename: Main.SchDoc		



**VCCIO0 = 3.3V for PMOD Slots to be usable**



**trenz electronic**

Title: **Header Baseboard - Headers**

A4	Nummer: <b>TE0603</b> <b>TE0603-01</b>	Rev. <b>02</b>
Datum: <b>2011-10-04</b>	Zeichner: <b>Trenz Electronic GmbH</b>	Blatt <b>2</b> von <b>4</b>
Filename: <b>Connector.SchDoc</b>		

1

2

3

4

A

A

B

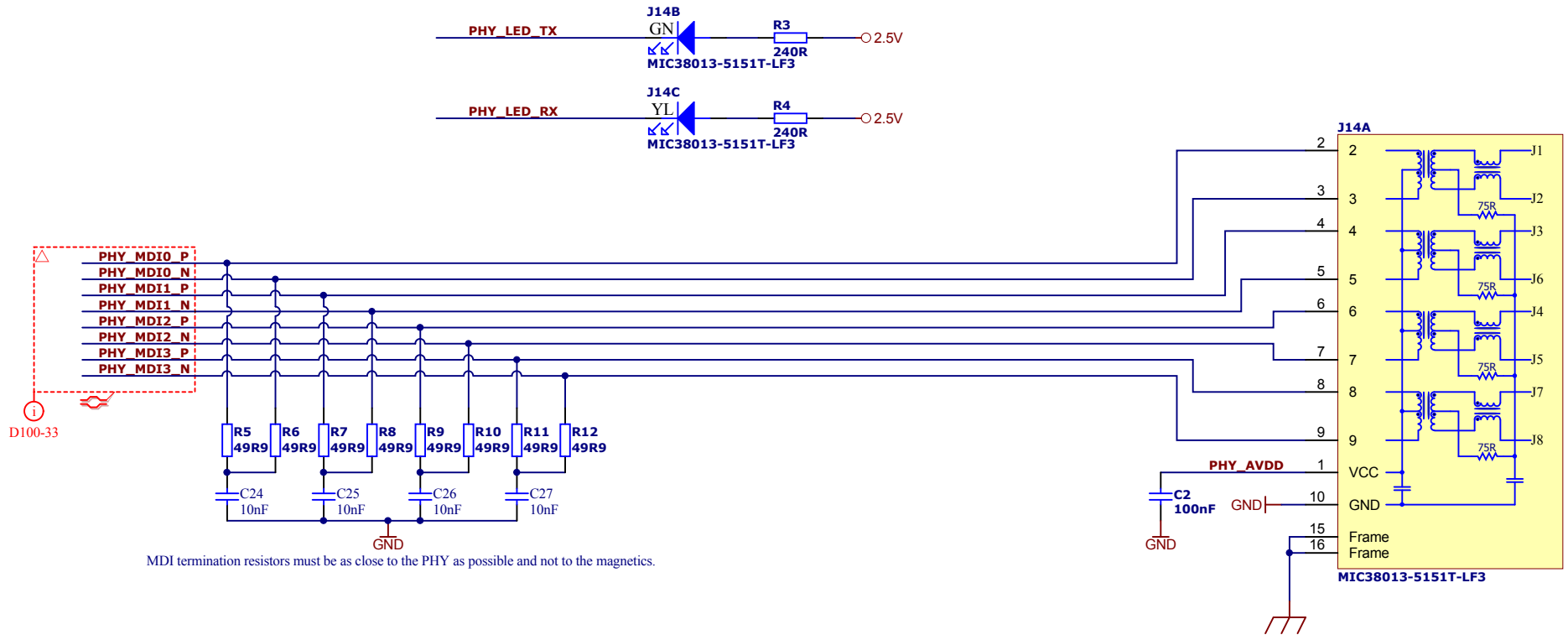
B

C

C

D

D



MDI termination resistors must be as close to the PHY as possible and not to the magnetics.



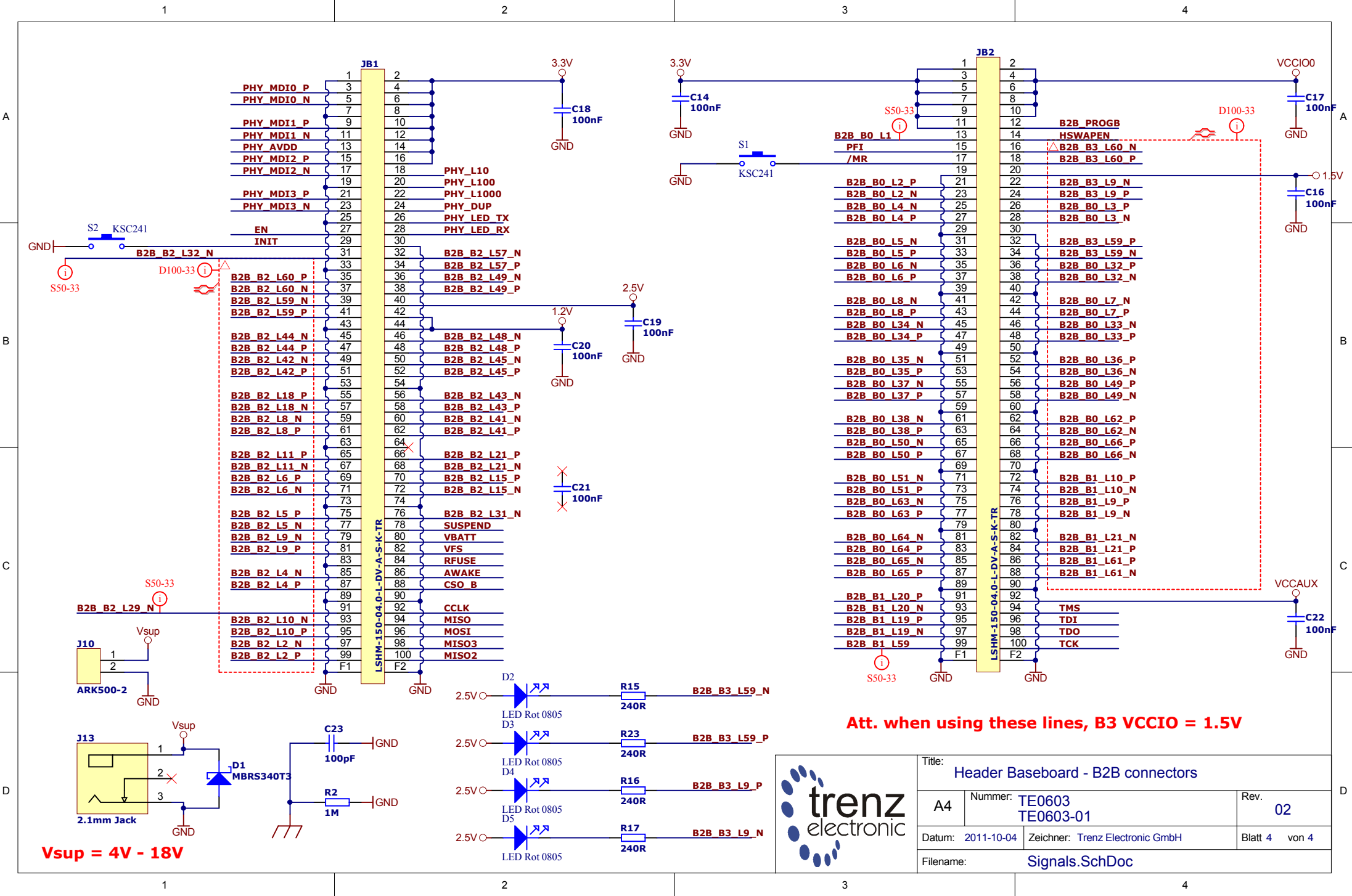
Title: Ethernet		
A4	Nummer: TE0603 TE0603-01 Ethernet	Rev. 02
Datum: 2011-10-04	Zeichner: Trenz Electronic GmbH	Blatt 3 von 4
Filename: Ethernet.SchDoc		

1

2

3

4



Vsup = 4V - 18V

