

U_FPGA_B2B_Connectors
FPGA_B2B_Connectors.SchDoc

PMODs
PMODs.SchDoc

U_ARM_JTAG
ARM_JTAG.SchDoc

U_HDMI
HDMI.SchDoc

U_FMC
FMC.SchDoc

Ethernet
Ethernet.SchDoc

FTDI
FTDI.SchDoc

U_POWER_5V0
POWER_5V0.SchDoc

U_CameraLink
CameraLink.SchDoc

U_POWER_3V3
POWER_3V3.SchDoc

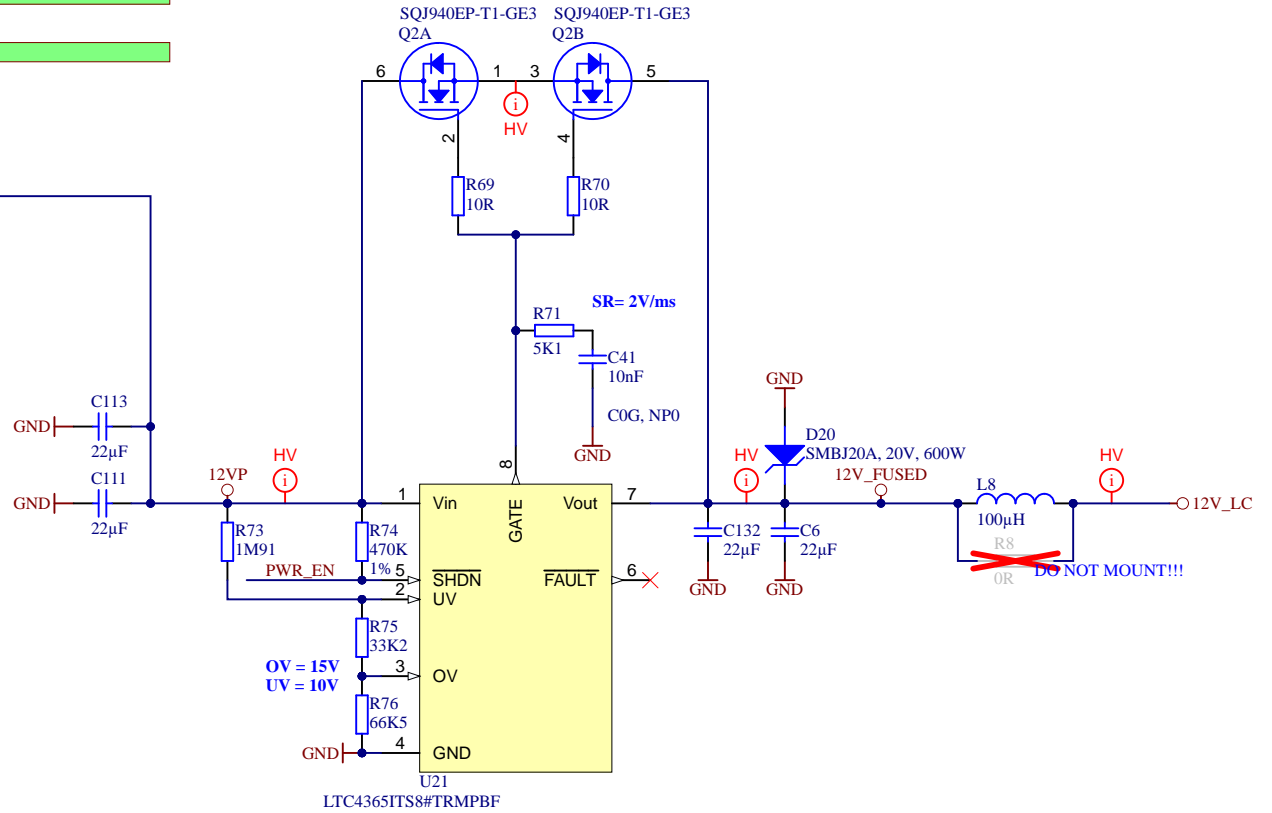
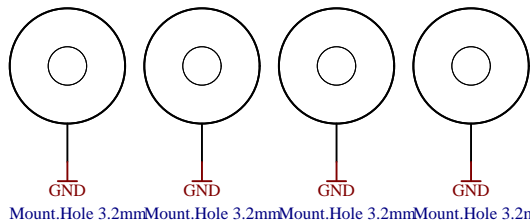
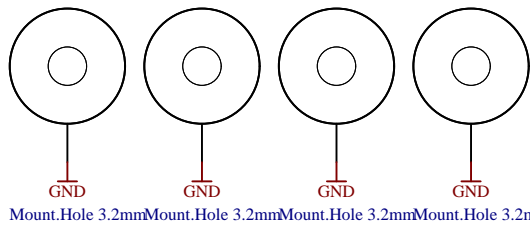
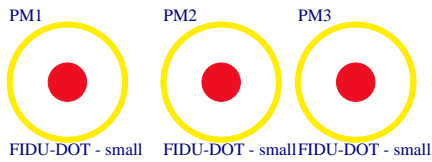
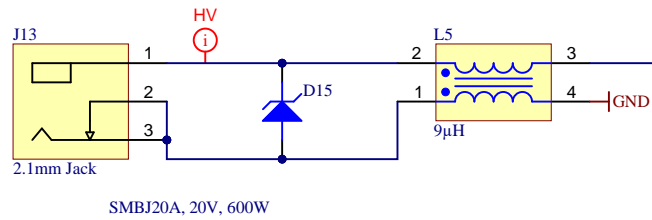
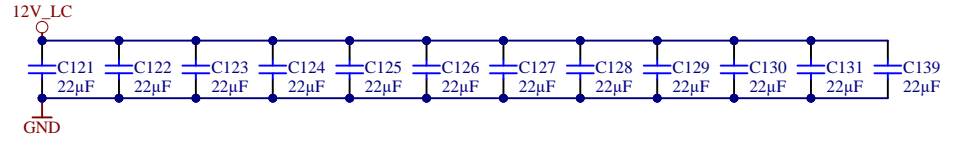
LED_SW_BUT
LED_SW_BUT.SchDoc

SDCard
SDCard.SchDoc

U_POWER_MISC
POWER_MISC.SchDoc

U_ARM_JTAG
ARM_JTAG.SchDoc

U_CPLD
CPLD.SchDoc



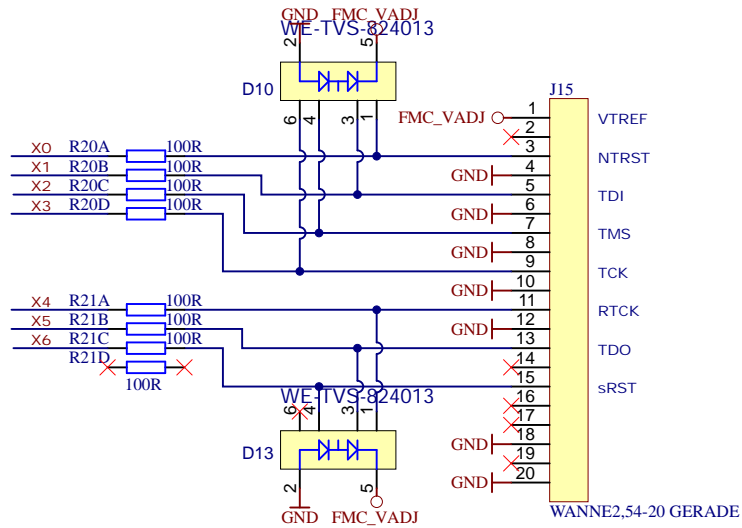
MECH1
TE Address Overlay


~~S/N~~
~~Serialnumber~~

Serial
Serialnumber 6,3 x 6.3mm



Title: TE0701		
A4	Number: TE0701 default	Rev. 06
Date: 2016-10-14	Copyright: Trenz Electronic GmbH	Page1 of 19
Filename: TE0701.SchDoc		



			Title: TE0701 - ARM JTAG	
			A4	Number: TE0701 default
Date: 2016-10-14		Copyright: Trenz Electronic GmbH		Page2 of 19
Filename: ARM_JTAG.SchDoc				

1

2

3

4

A

A

B

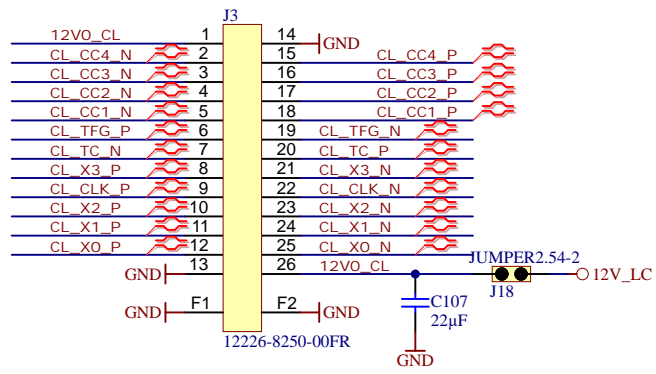
B


C

C

D

D



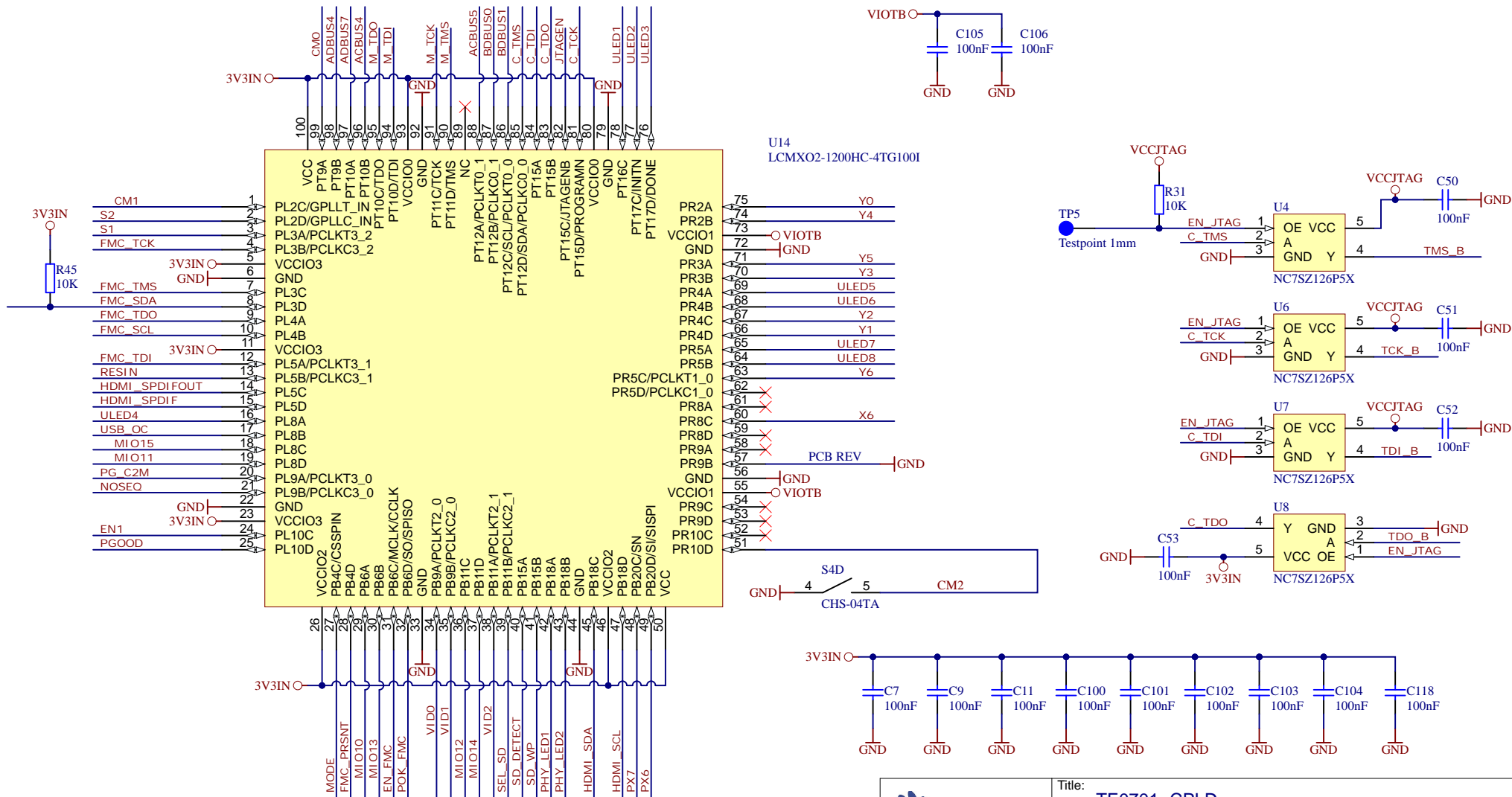
	Title: TE0701 - CameraLink		
	A4	Number: TE0701 default	Rev. 06
	Date: 2016-10-14	Copyright: Trenz Electronic GmbH	Page 3 of 19
	Filename: CameraLink.SchDoc		


1

2

3

4



			Title: TE0701- CPLD	
A4	Number: TE0701 default	Rev. 06		
Date: 2016-10-14	Copyright: Trenz Electronic GmbH	Page4 of 19		
Filename: CPLD.SchDoc				

1

2

3

4

A

A

B

B

C

C

D

D

1

2

3

4

VIOTB

1

2

3

4

A

A

B

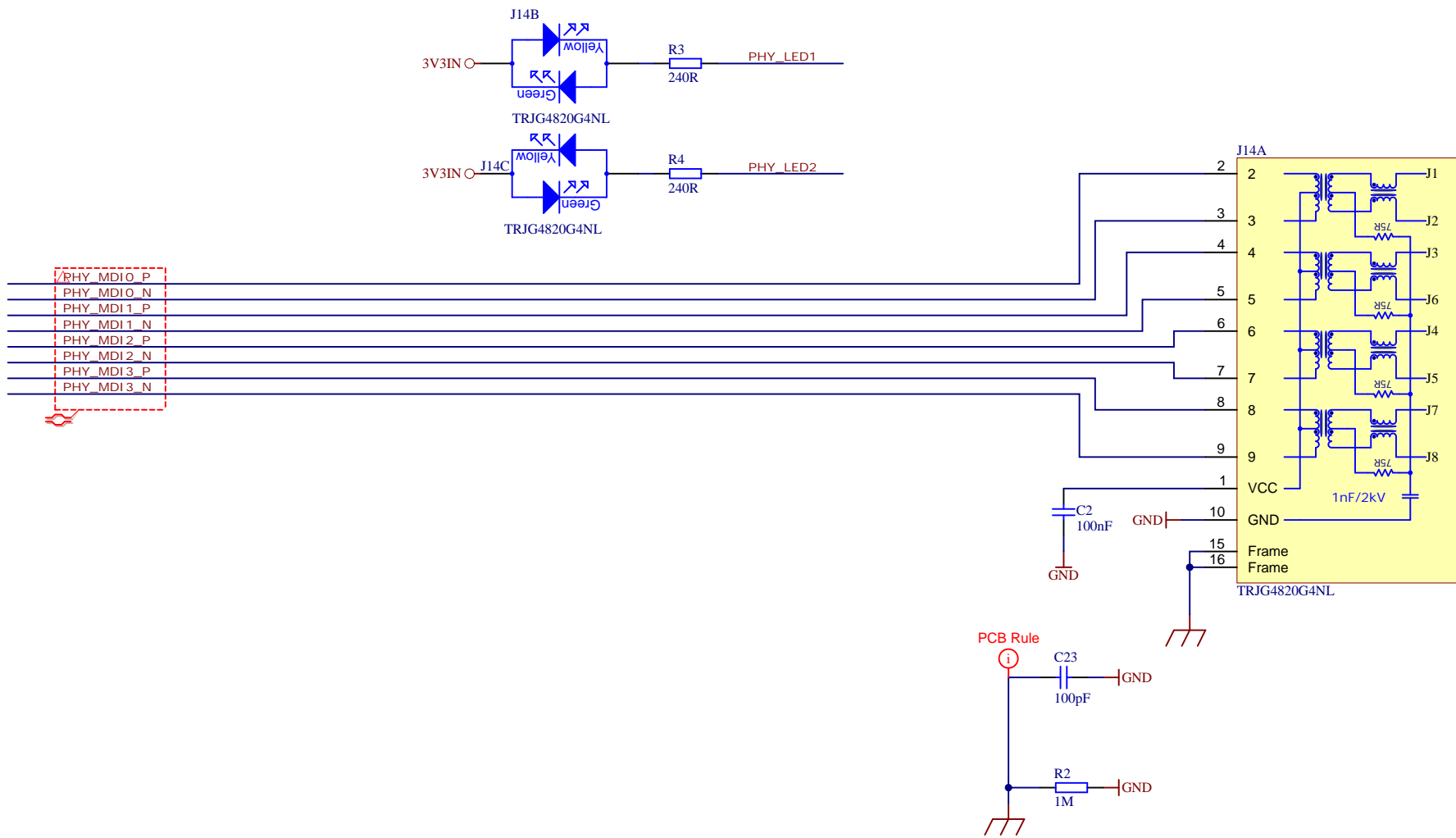
B

C

C

D

D



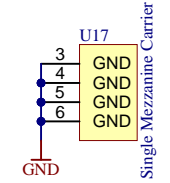
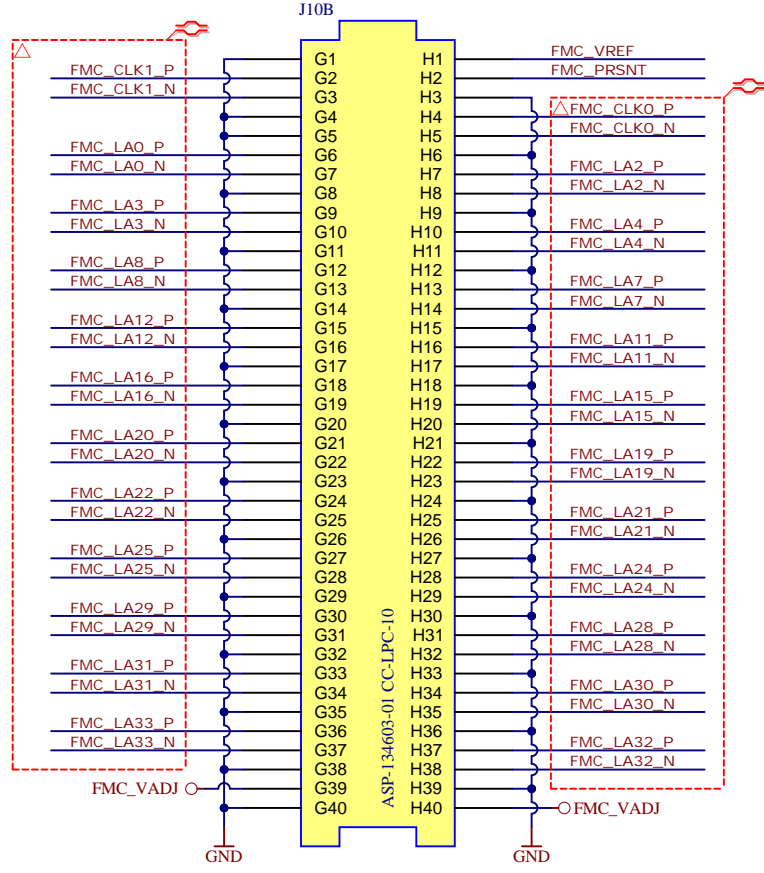
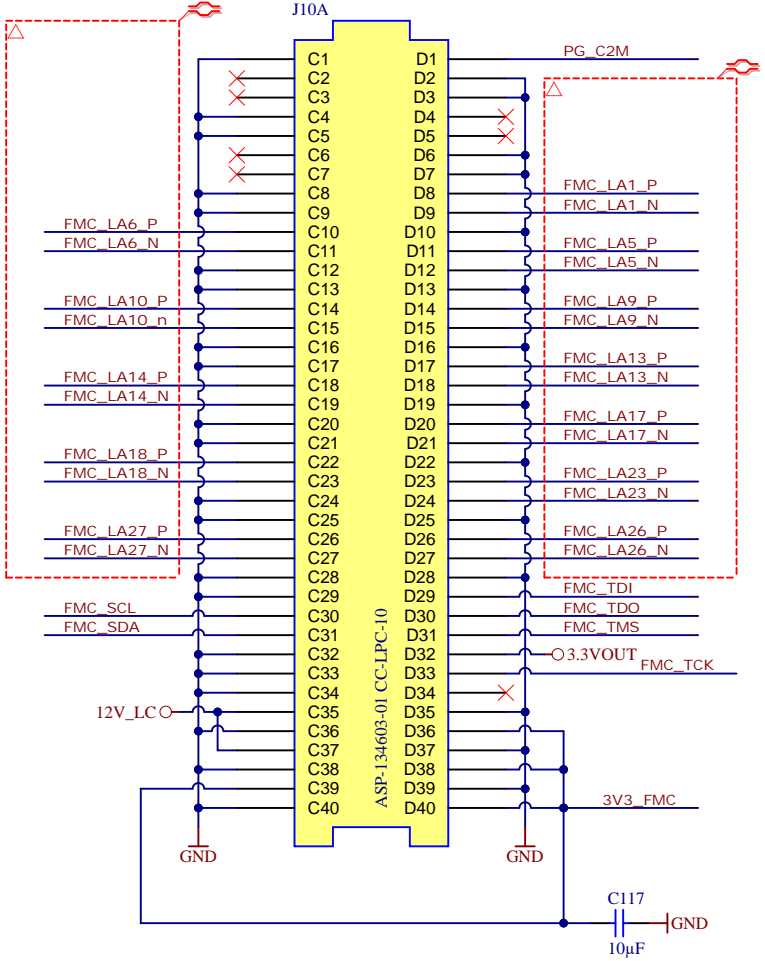
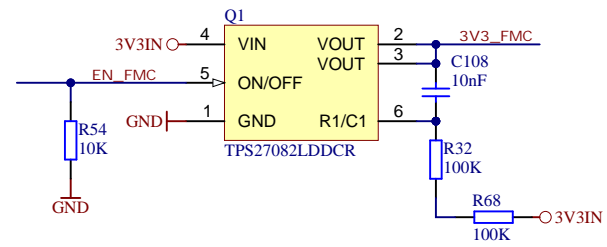
Title: TE0701 - Ethernet		
A4	Nummer: TE0701 default	Rev. 06
Datum: 2016-10-14	Zeichner: Trenz Electronic GmbH	Blatt 5 von 19
Filename: Ethernet.SchDoc		

1

2

3

4



Title: TE0701 - FMC		
A4	Number: TE0701 default	Rev. 06
Date: 2016-10-14	Copyright: Trenz Electronic GmbH	Page6 of 19
Filename: FMC.SchDoc		

1

2

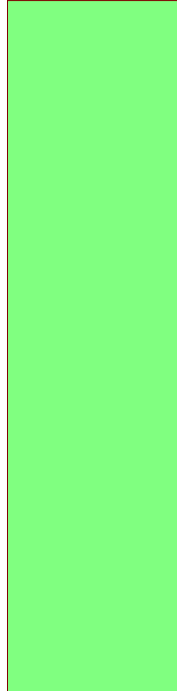
3

4

A

A

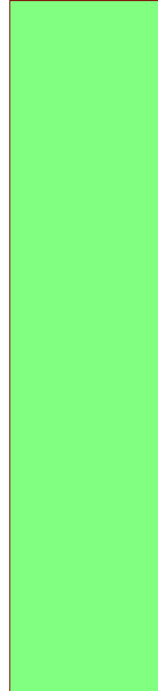
U_TE0720_JB1
TE0720_JB1.SchDoc



U_TE0720_JB3
TE0720_JB3.SchDoc



U_TE0720_JB2
TE0720_JB2.SchDoc



B


B

C

C

D

D

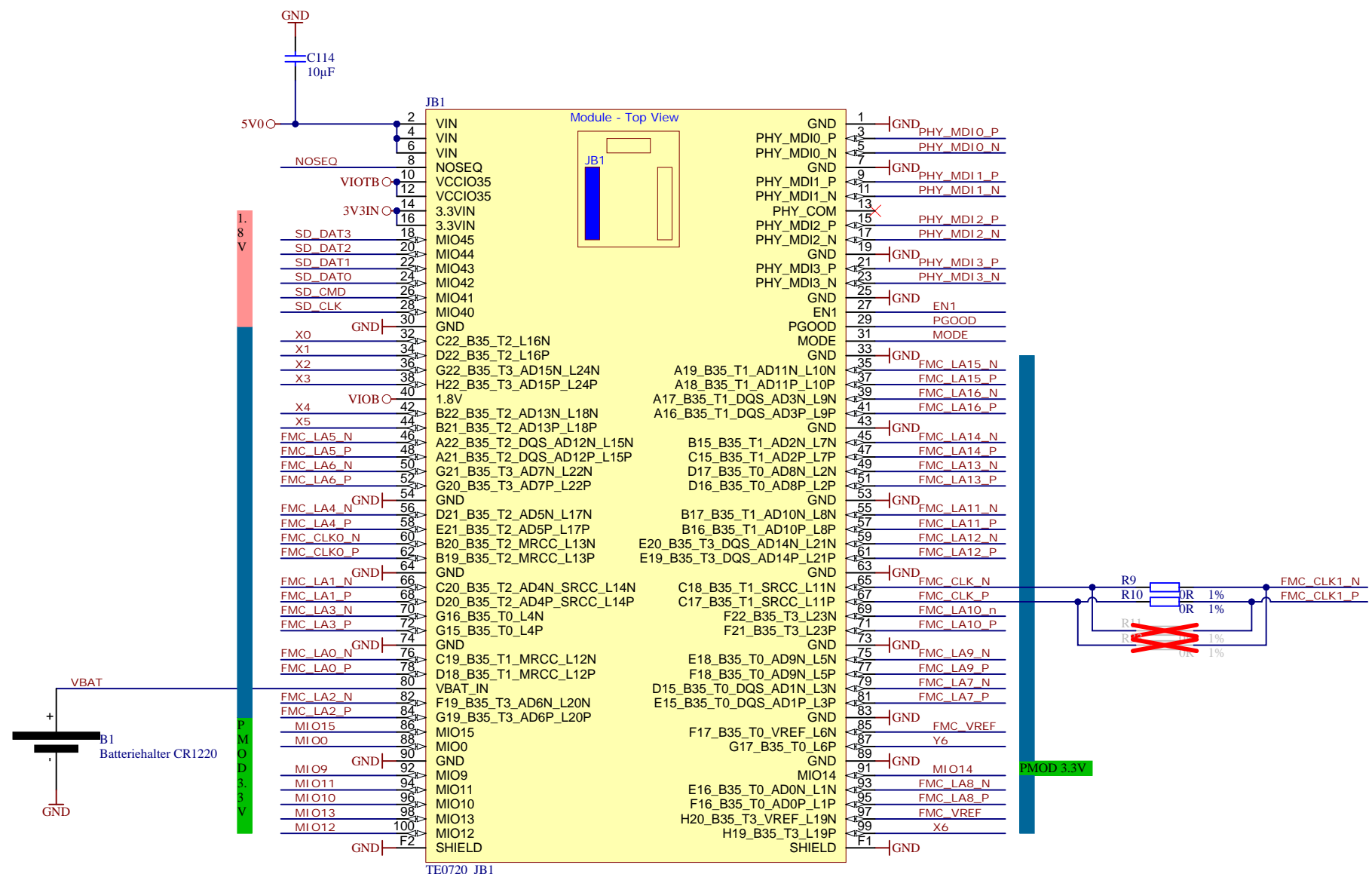
			Title: TE0701 - FPGA B2B Connectors		
			A4	Number: TE0701 default	Rev. 06
Date: 2016-10-14		Copyright: Trenz Electronic GmbH		Page 7 of 19	
Filename: FPGA_B2B_Connectors.SchDoc					


1

2

3

4



			Title: TE0701 - FPGA B2B Connectors	
			A4	Number: TE0701 default
Date: 2016-10-14		Copyright: Trenz Electronic GmbH		Page 8 of 19
Filename: TE0720_JB1.SchDoc				

A

A

B

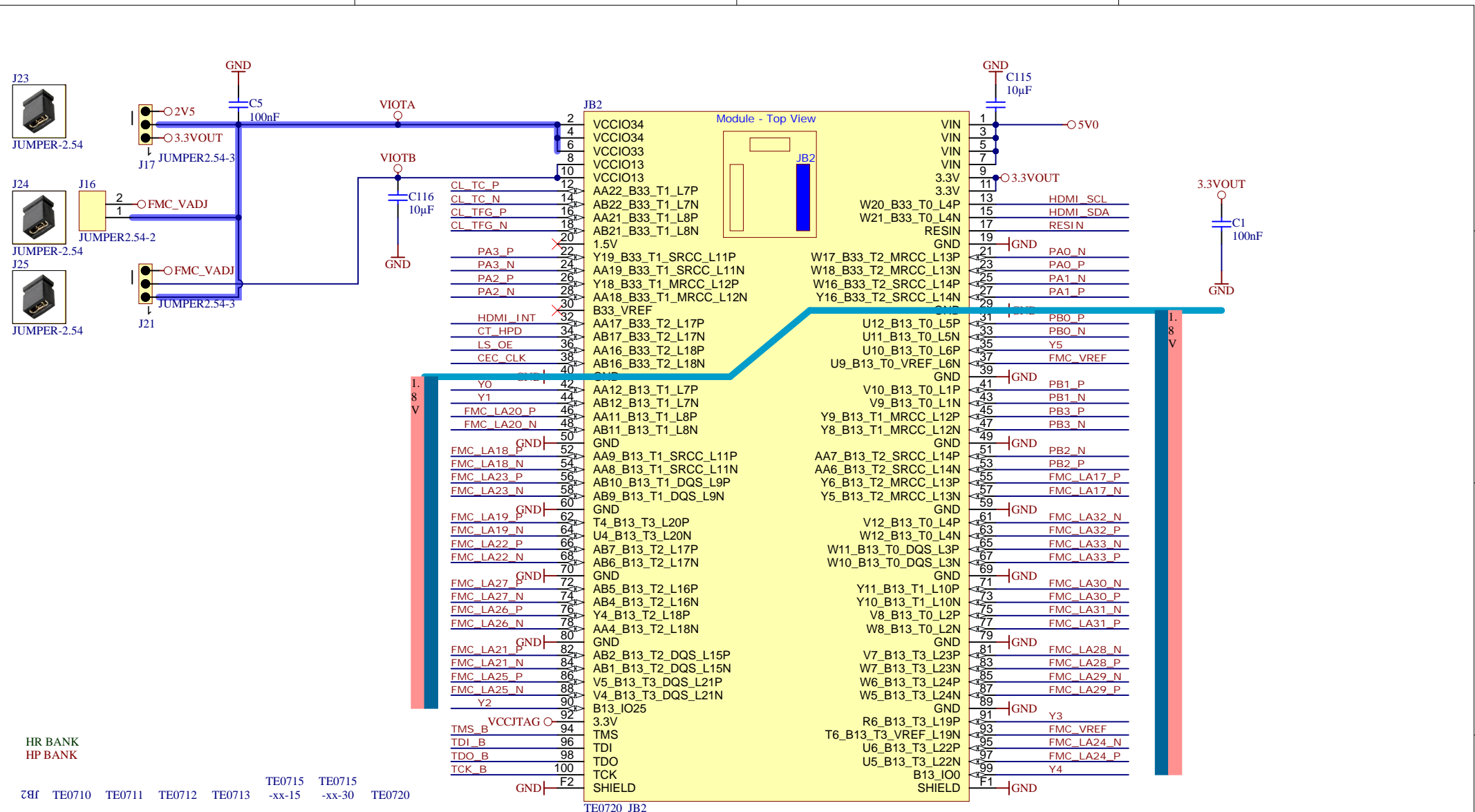
B

C

C

D

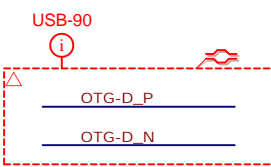
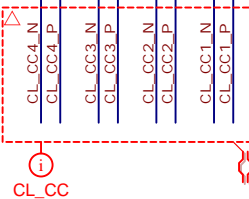
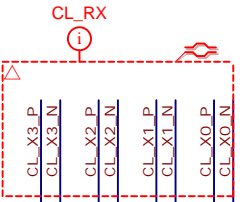
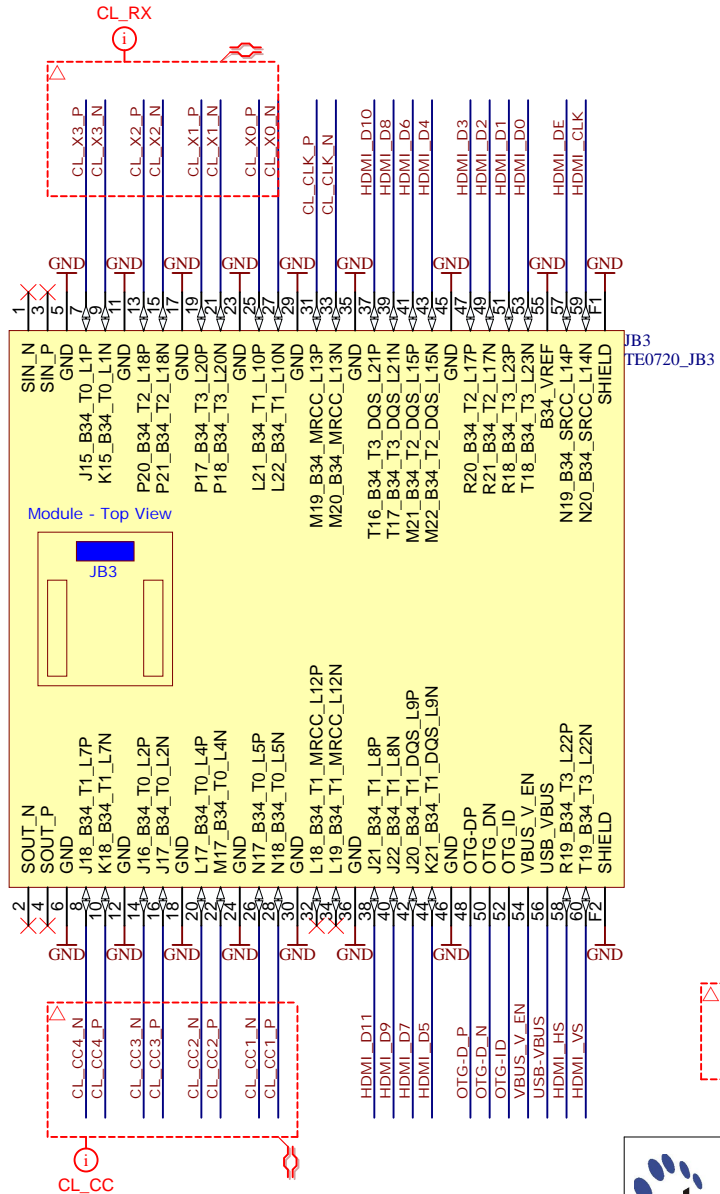
D



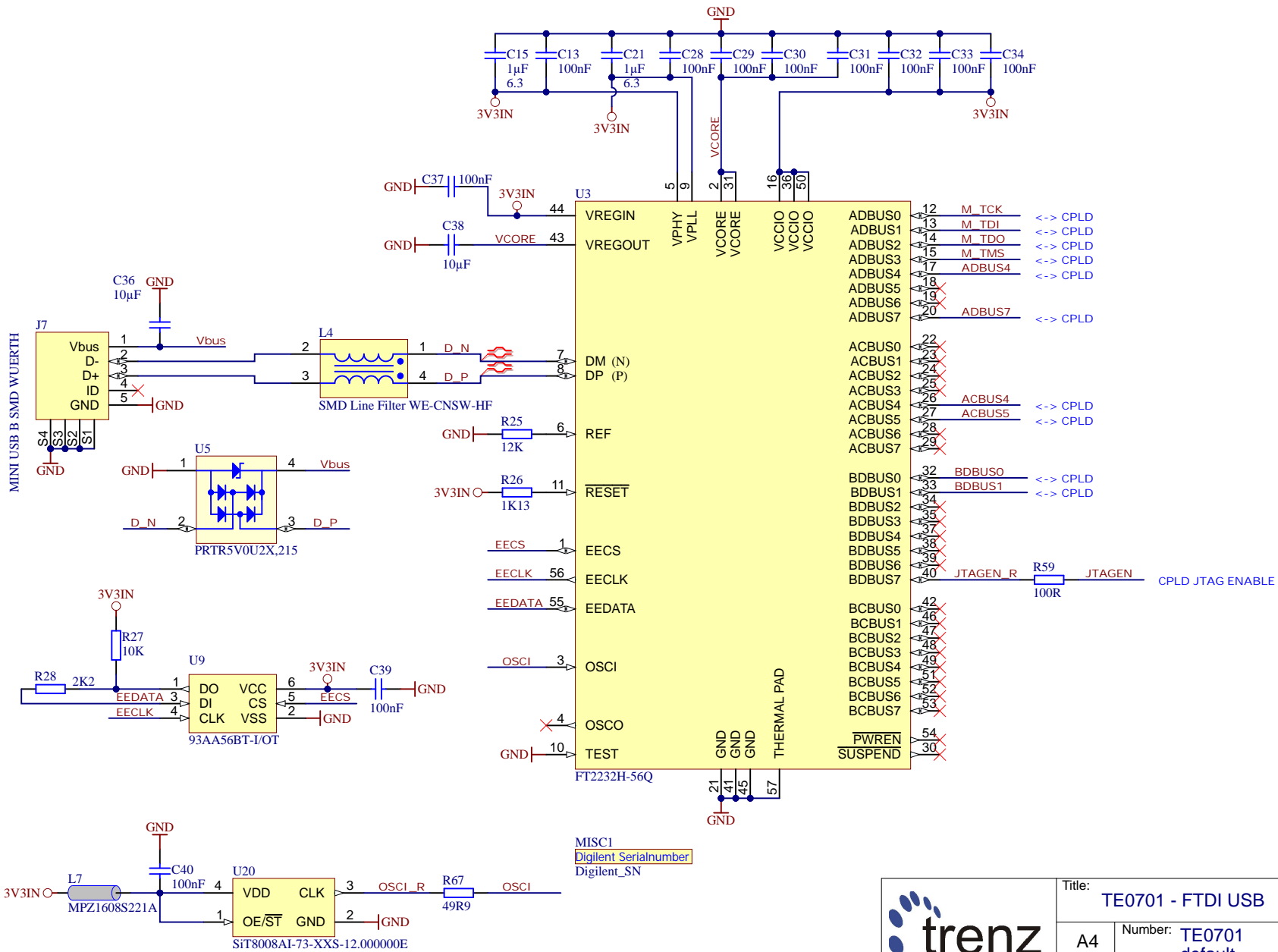
	HR BANK	HP BANK	TE0715				TE0720			
Pin	TE0710	TE0711	TE0712	TE0713	-xx-15	-xx-30	TE0715	TE0716	TE0717	TE0718
2	NC	B34	B13	B13	NC	NC	B34	VIOTA		
4	NC	B34	B13	B13	NC	NC	B34	VIOTA		
6	NC	NC	NC	NC	B34	B34	B33	VIOTB		
8	B34	B35	B15	B15	B35	B35	B13	VIOTC		
10	B34	B35	B15	B15	B35	B35	B13	VIOTC		
10	B15	B15	B16	B16	B13	B13	B35	VIOTB		
12	B15	B15	B16	B16	B13	B13	B35	VIOTB		



Title: TE0701 - FPGA B2B Connectors		
A4	Number: TE0701 default	Rev. 06
Date: 2016-10-14	Copyright: Trenz Electronic GmbH	Page9 of 19
Filename: TE0720_JB2.SchDoc		



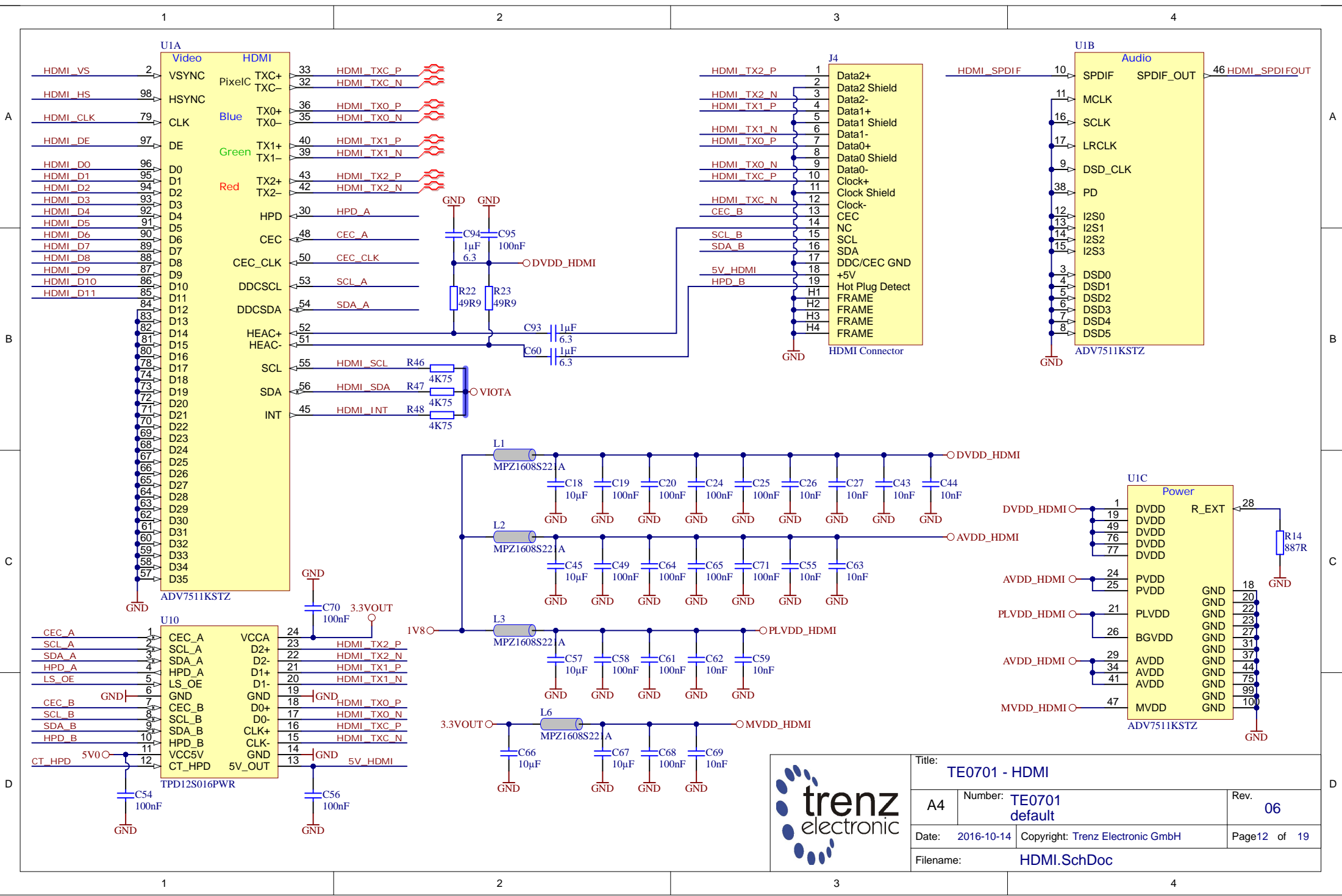
Title: TE0701 - FPGA B2B Connectors		
A4	Number: TE0701 default	Rev. 06
Date: 2016-10-14	Copyright: Trenz Electronic GmbH	Page 10 of 19
Filename: TE0720_JB3.SchDoc		



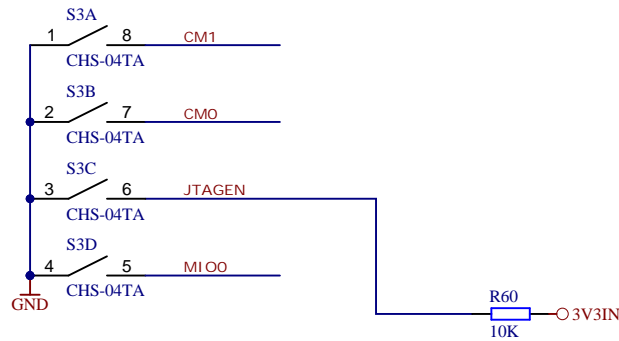
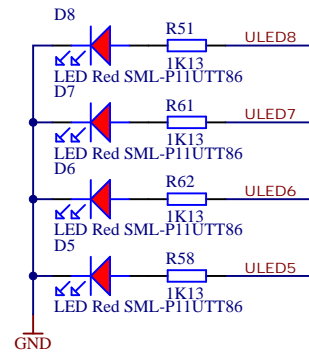
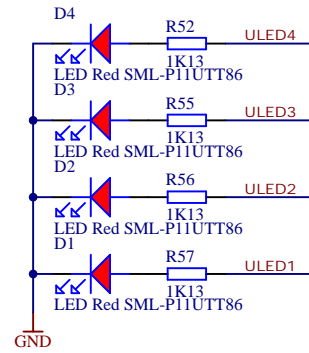
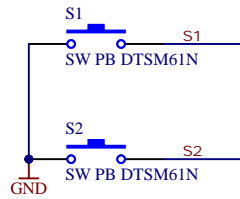
MISC1
Digilent Serialnumber
Digilent_SN



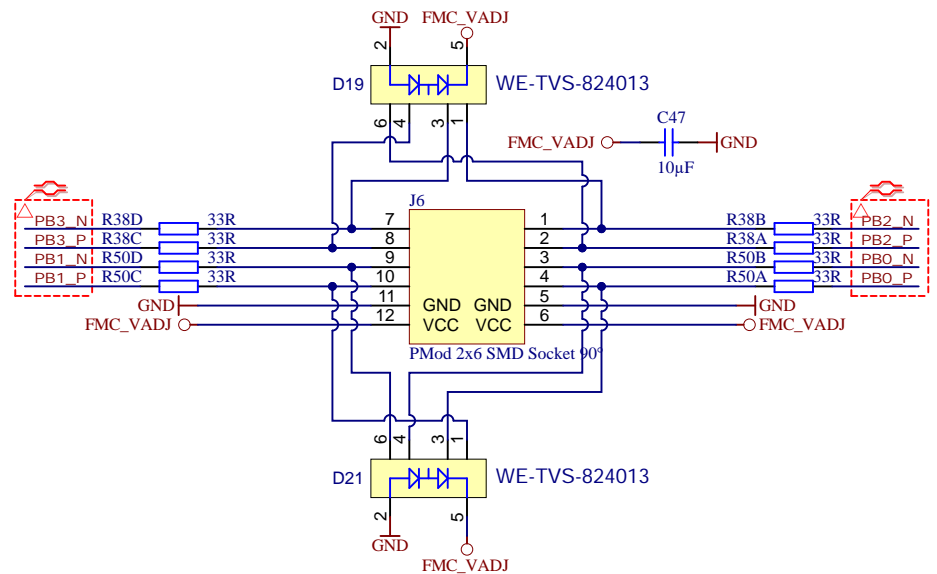
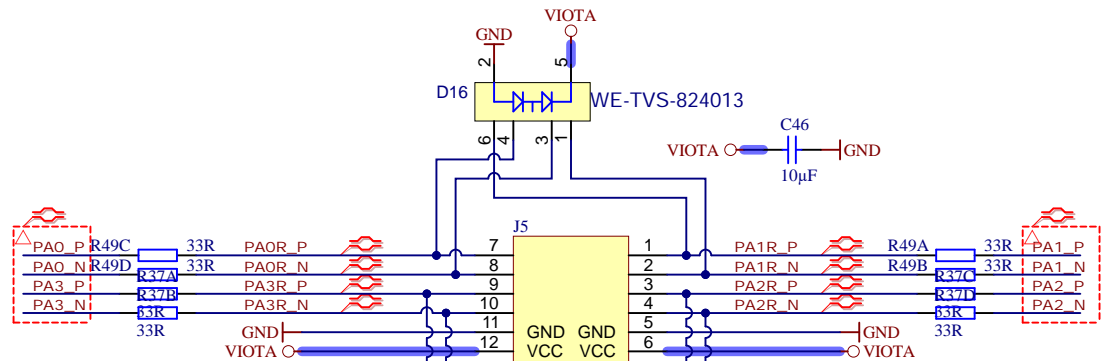
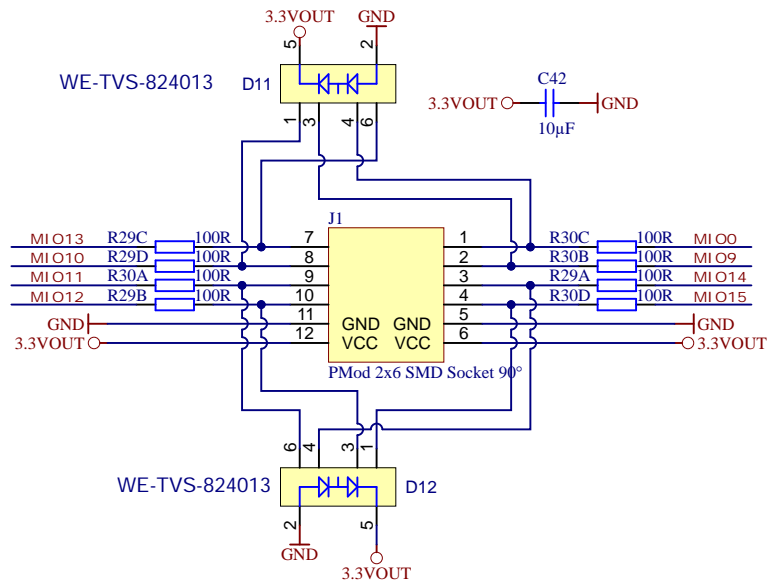
Title: TE0701 - FTDI USB		
A4	Number: TE0701 default	Rev. 06
Date: 2016-10-14	Copyright: Trenz Electronic GmbH	Page 11 of 19
Filename: FTDI.SchDoc		



Title: TE0701 - HDMI		
A4	Number: TE0701 default	Rev. 06
Date: 2016-10-14	Copyright: Trenz Electronic GmbH	Page 12 of 19
Filename: HDMI.SchDoc		



Title: TE0701 - LEDS & SWS & BUTTONS		
A4	Number: TE0701 default	Rev. 06
Date: 2016-10-14	Copyright: Trenz Electronic GmbH	Page 13 of 19
Filename: LED_SW_BUT.SchDoc		



Title: TE0701 - PMODS		
A4	Number: TE0701 default	Rev. 06
Date: 2016-10-14	Copyright: Trenz Electronic GmbH	Page 14 of 19
Filename: PMODS.SchDoc		

1

2

3

4

A

A

B

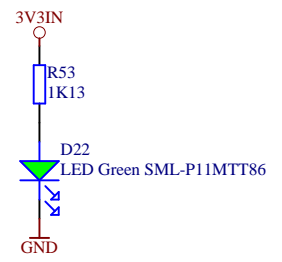
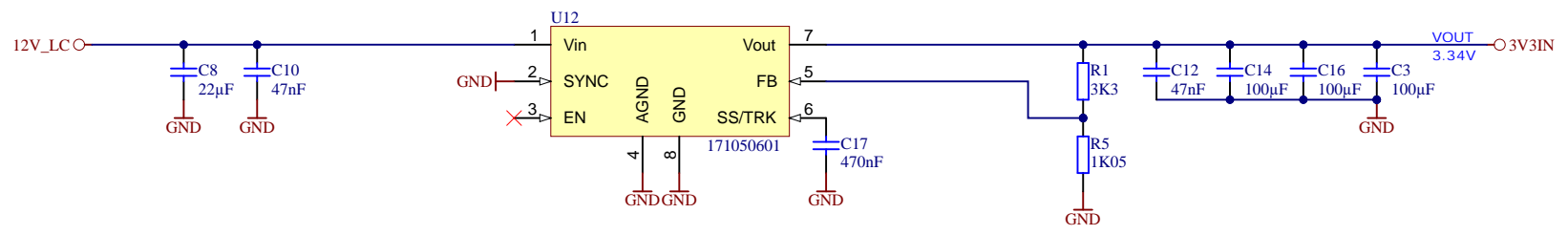
B


C

C

D

D



	Title: TE0701 - 3.3V POWER	
	A4	Number: TE0701 default
	Date: 2016-10-14	Copyright: Trenz Electronic GmbH
	Filename: POWER_3V3.SchDoc	
	Rev. 06	Page 15 of 19

1

2

3

4

1

2

3

4

A

A

B

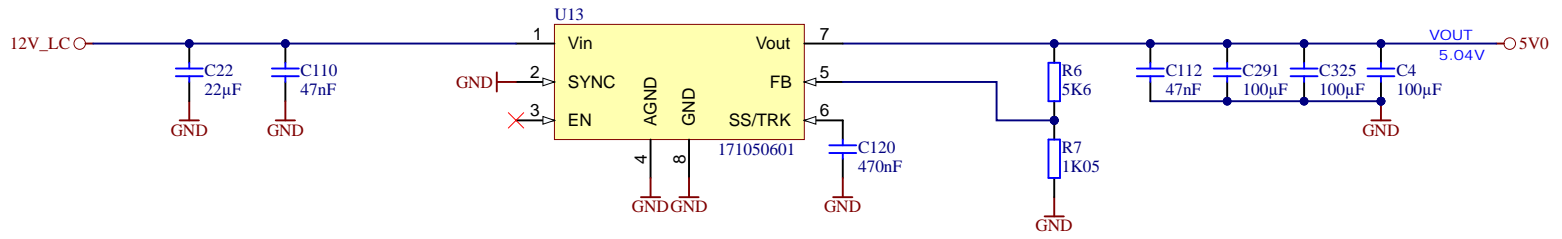
B

C

C

D

D



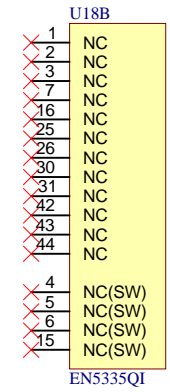
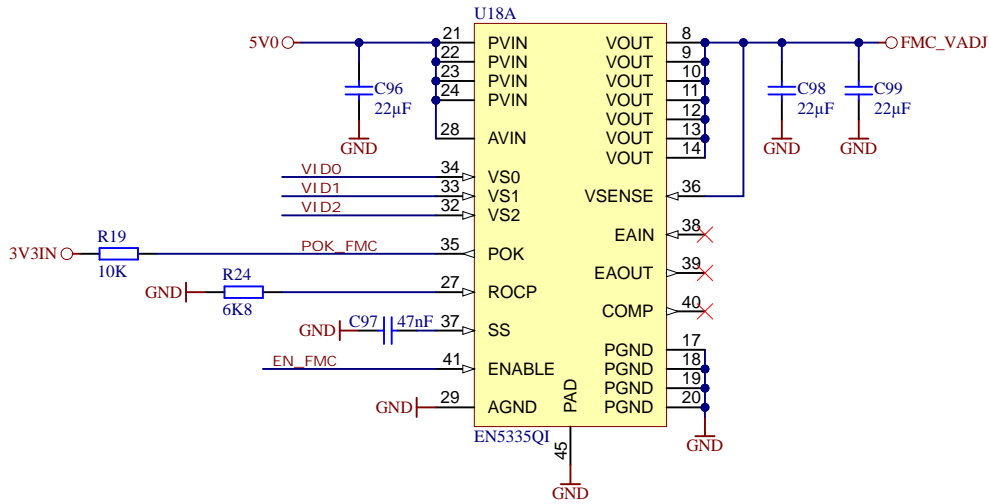
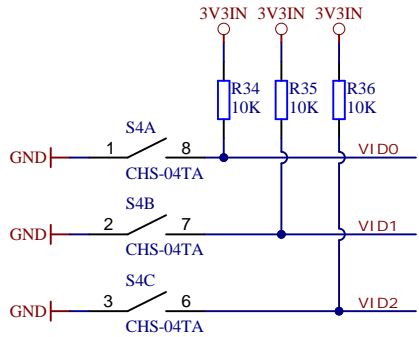
Title: TE0701 - 5V POWER		
A4	Number: TE0701 default	Rev. 06
Date: 2016-10-14	Copyright: Trenz Electronic GmbH	Page 16 of 19
Filename: POWER_5V0.SchDoc		

1

2

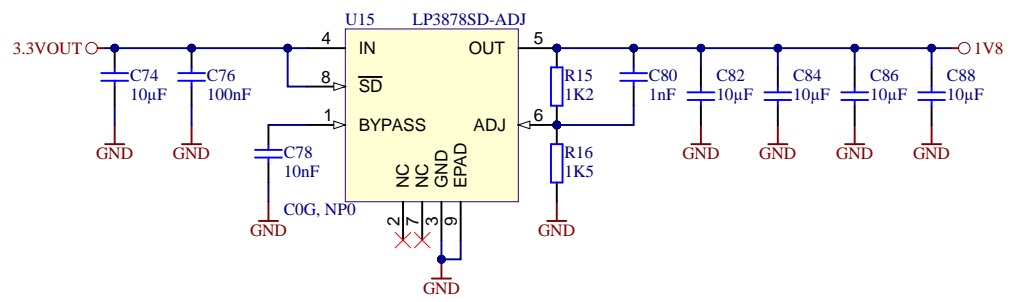
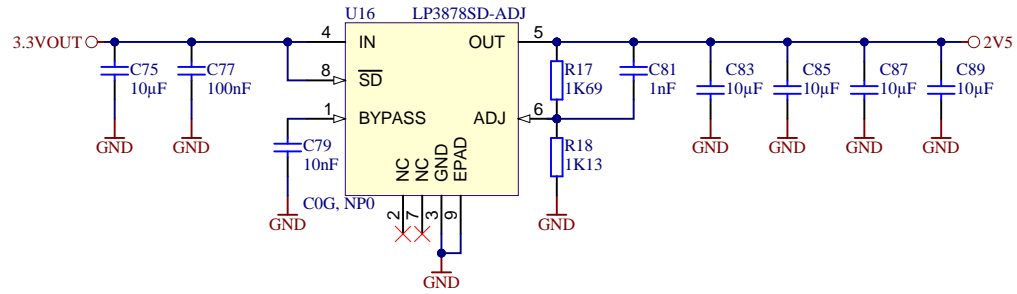
3

4

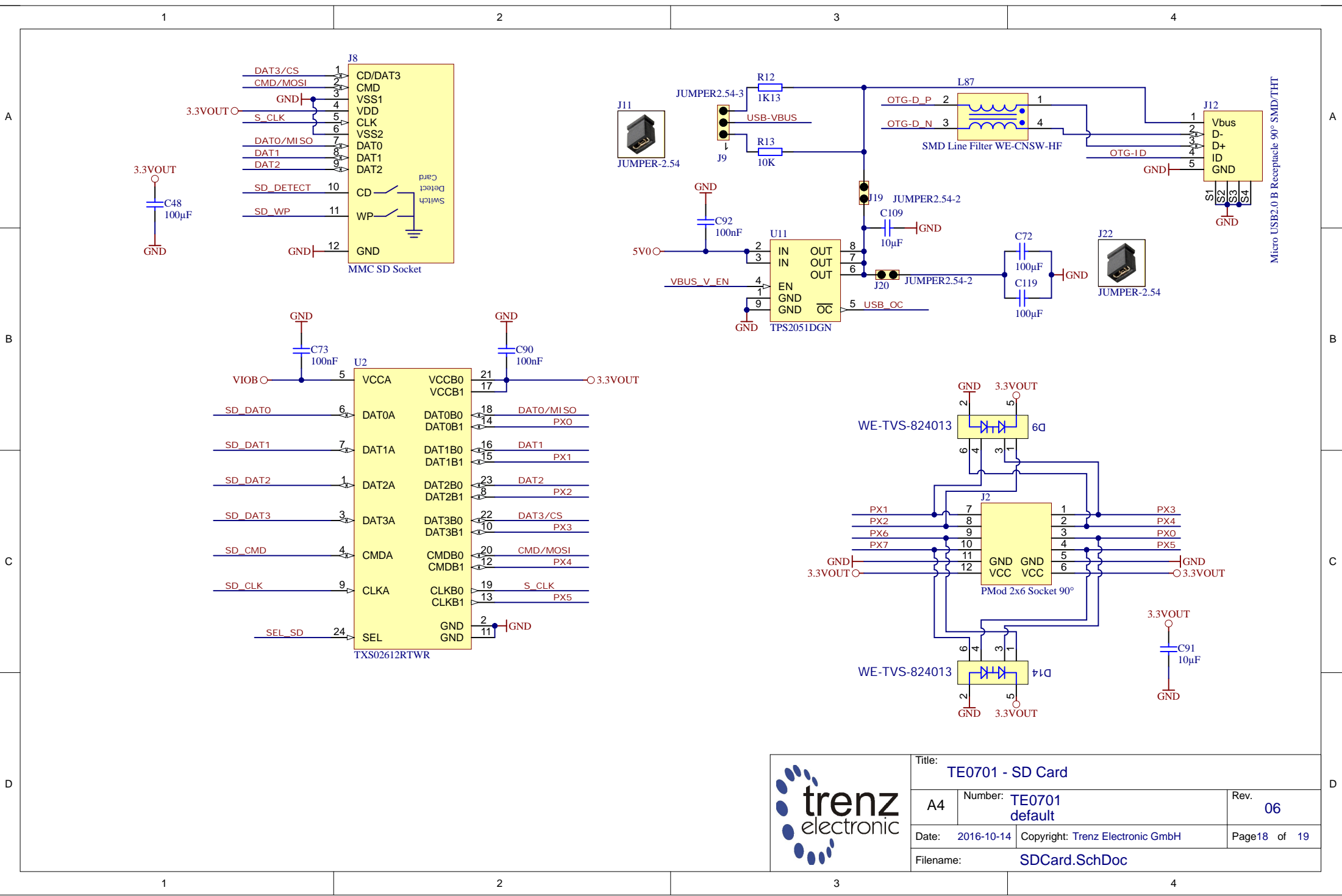



VS2 | VS1 | VS0 | Output Voltage

0	0	0	3.3V
0	0	1	2.5V
0	1	0	1.8V
0	1	1	1.5V
1	0	0	1.25V



Title: TE0701 - MISC POWER		
A4	Number: TE0701 default	Rev. 06
Date: 2016-10-14	Copyright: Trenz Electronic GmbH	Page 17 of 19
Filename: POWER_MISC.SchDoc		



			Title: TE0701 - SD Card	
			A4	Number: TE0701 default
Date: 2016-10-14		Copyright: Trenz Electronic GmbH		Page 18 of 19
Filename: SDCard.SchDoc				

CHANGES REV05 to REV06:

- 1) Removed holes for Xilinx JTAG Flying Wire Adaptor (1 row header)
- 2) Added jumper J16. Set a power supply on VIOTA to FMC_VADJ
- 3) Added feature to select Vadj voltage by dip switch S4
- 4) U3 FT2232H: new package -56Q
- 5) Changed RJ45 Ethernet connector (J14) 7499111121A to TRJG4820G4NL
- 6) Changed micro USB connector (J12)
- 7) Changed power supply on PMOD connector (J5) 3.3VOUT->VIOTA
- 8) Added resistors R9..R11,R33 for FMC_CLK as swap option
- 9) Added thermal vias to mount holes
- 10) Added serial visual serial number (traceability pad)
- 11) Lib components update
- 12) Changed PMOD connectors THT to SMT
- 13) Removed resistor (R43) on CMD (SD card). R43 is not needed and caused problems with some SD Cards

A

A

B


B

C

C

D

D

		Title: TE0701 - Revision history		
		A4	Number: TE0701 default	Rev. 06
		Date: 2016-10-14	Copyright: Trenz Electronic GmbH	Page 19 of 19
		Filename: Revision_Changes.SchDoc		