

TE0724_BB_Snap
TE0724_BB_Snap.SchDoc

CAN
CAN.SchDoc

FTDI
FTDI.SchDoc

POWER
POWER.SchDoc

PMODs1
PMODs1.SchDoc

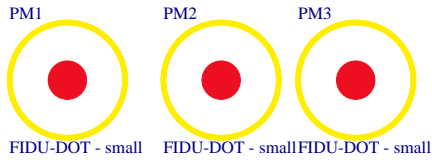
POWER_DCDC
POWER_DCDC.SchDoc

PMODs2
PMODs2.SchDoc

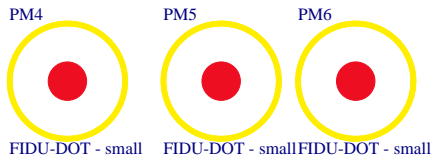
ETHERNET
ETHERNET.SchDoc

PMODs3
PMODs3.SchDoc

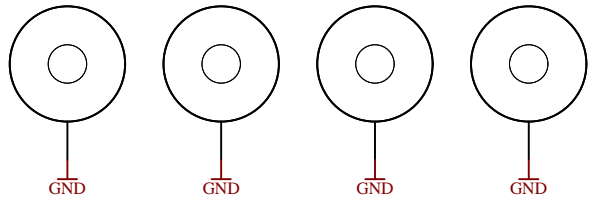
LED_SW_BUT
LED_SW_BUT.SchDoc



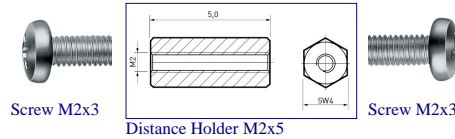
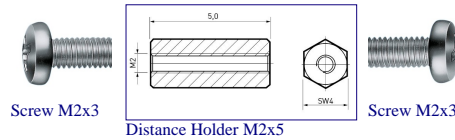
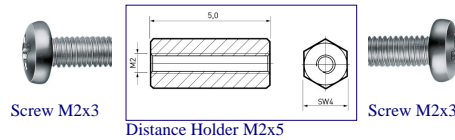
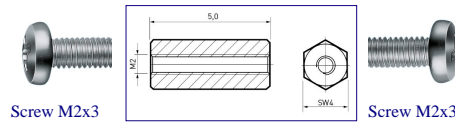
FIDU-DOT - small FIDU-DOT - small FIDU-DOT - small



FIDU-DOT - small FIDU-DOT - small FIDU-DOT - small



Mount.Hole 3.2mm Mount.Hole 3.2mm Mount.Hole 3.2mm Mount.Hole 3.2mm



LOGO1
TE Logo PRINT Layer
LOGO PRINT

~~S/N1
Serialnumber~~
Serial1
Serial
Serialnumber 6,3 x 6.3mm



Assembly variant	default
Created by	
Modified by	
Modified at	
SVN Revision	Unknown revision

Title: TEB0724		
A4	Number: TEB0724 default	Rev. 02
Date: 2018-07-28	Copyright: Trenz Electronic GmbH	Page1 of 12
Filename: TEB0724.SchDoc		

1

2

3

4

A

A

B

B

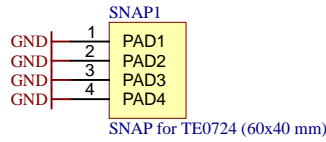
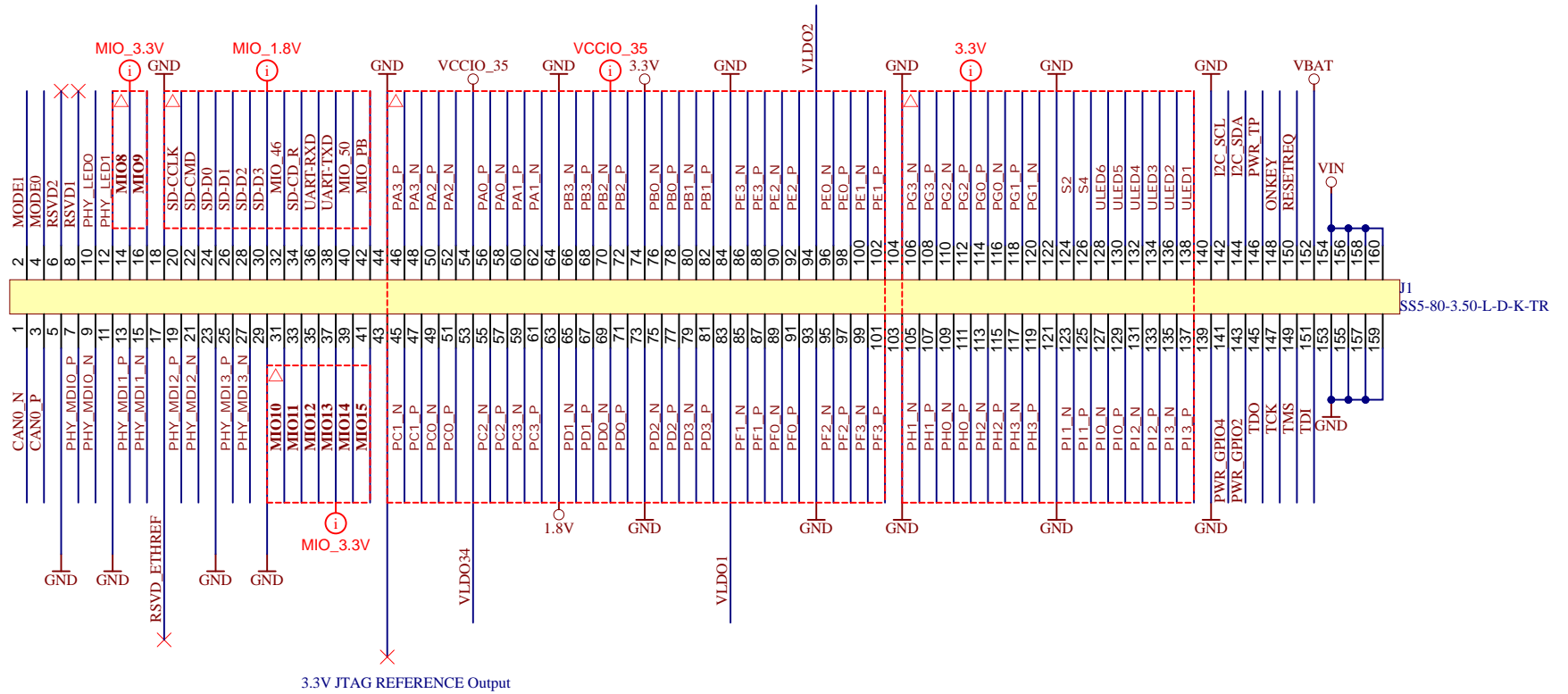
C

C

D

D

MIO0 - 8 I/O 3.3V
 MIO1 - 12 I/O 1.8V
 B34 - 32 I/O 3.3V
 B35 - 48 I/O Variable PA-PD



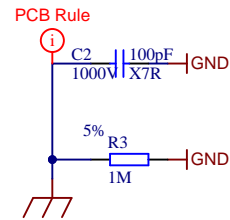
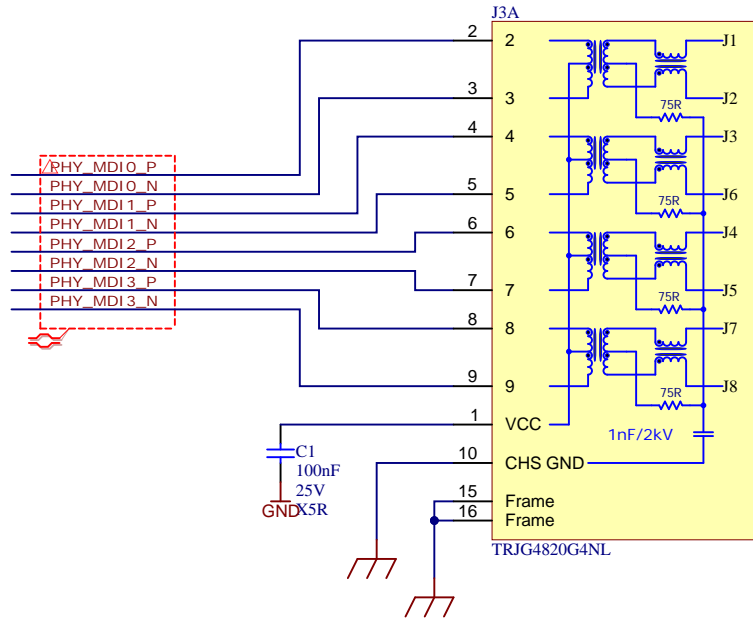
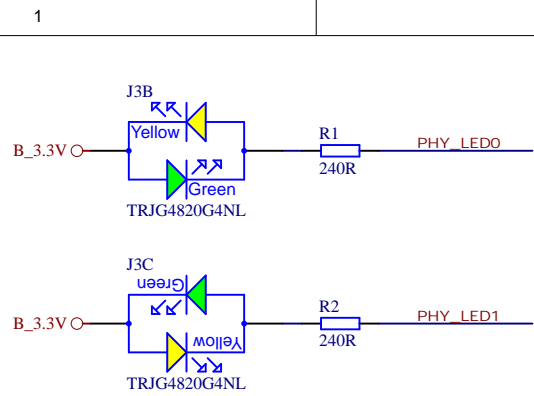
		Title: TEB0724 - TE0724 BB Snap	
		A4	Number: TEB0724 default
Date: 2018-07-28		Copyright: Trenz Electronic GmbH	
Filename: TE0724_BB_Snap.SchDoc		Page 2 of 12	

1

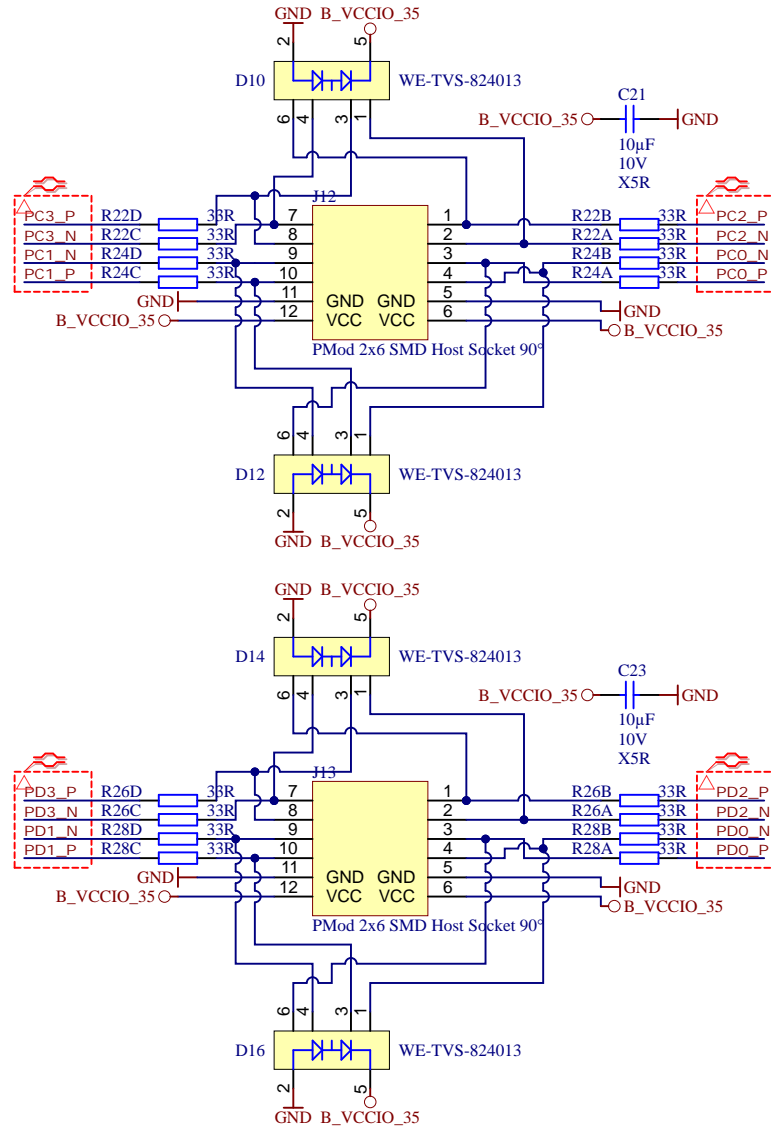
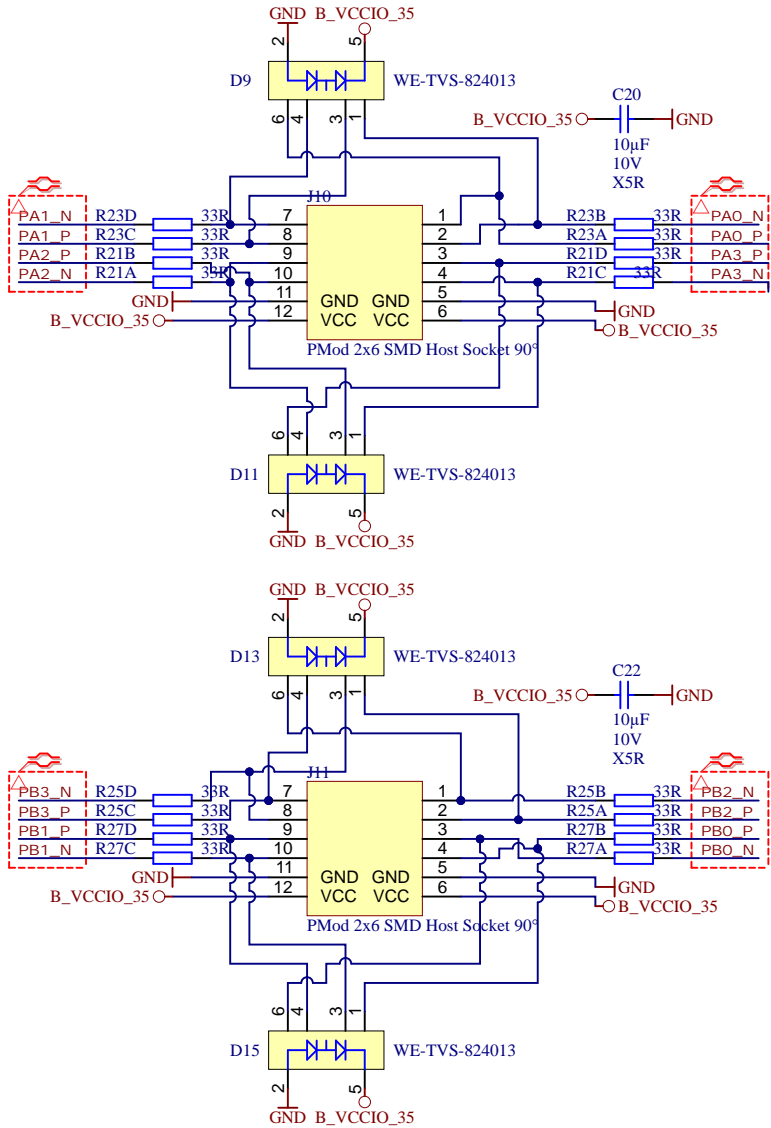
2

3

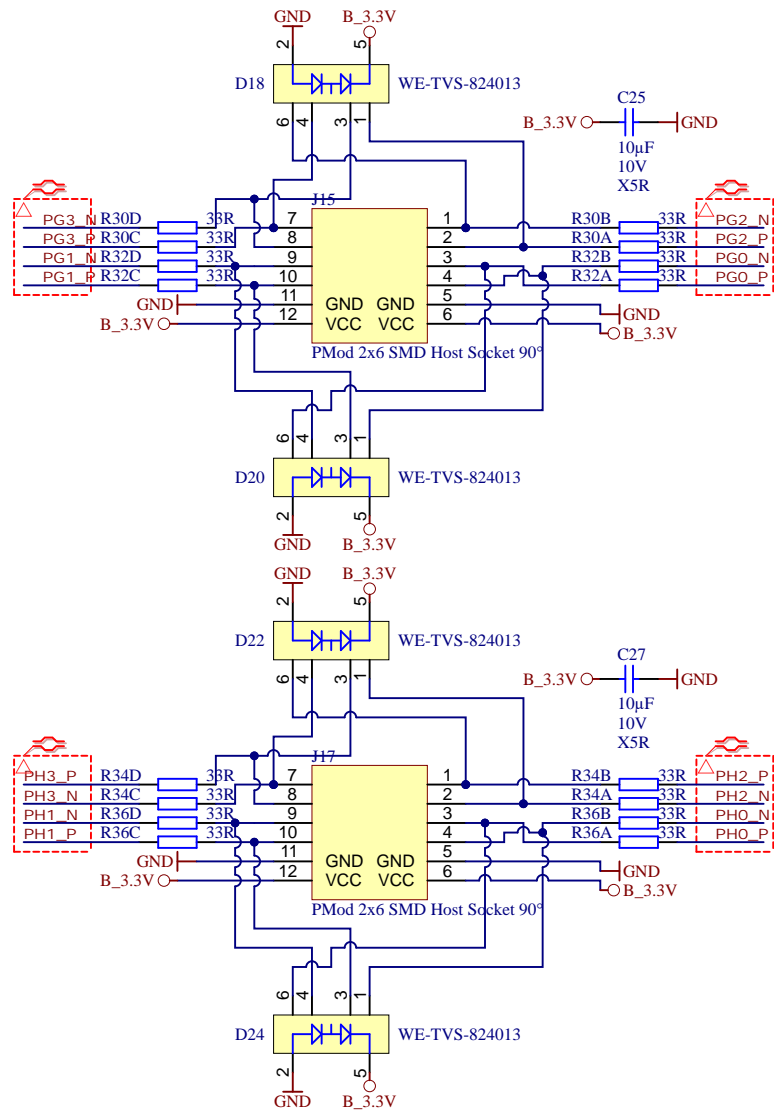
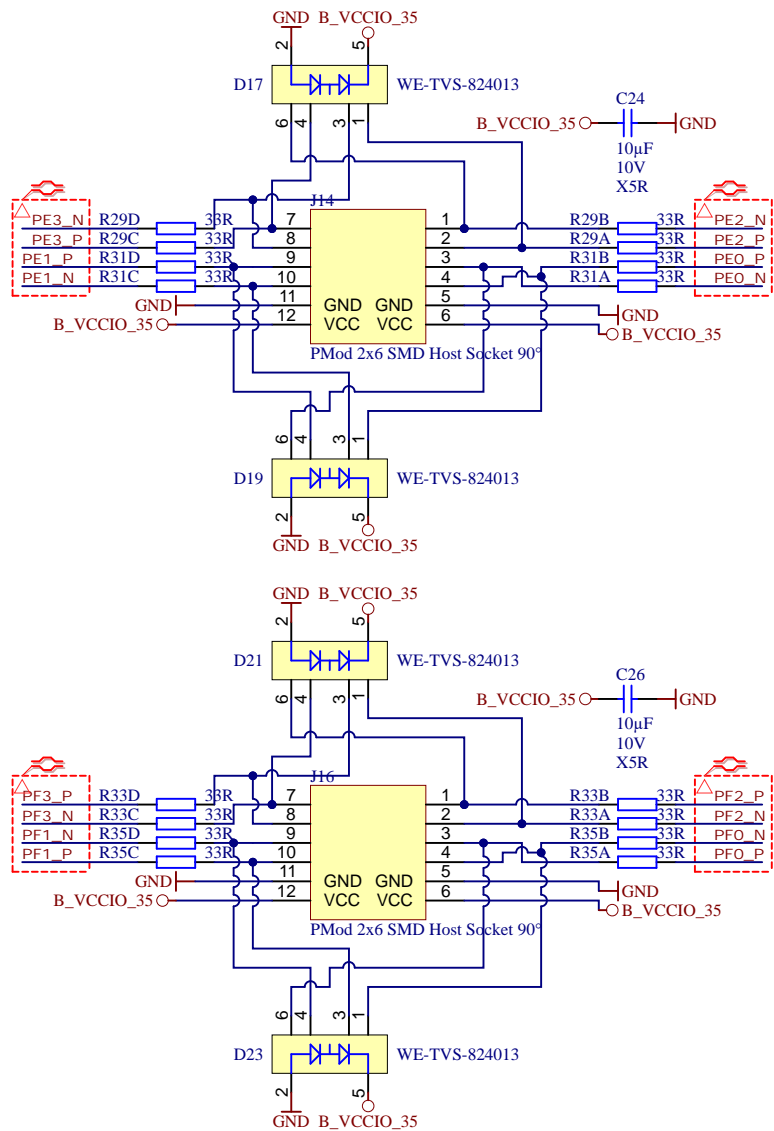
4



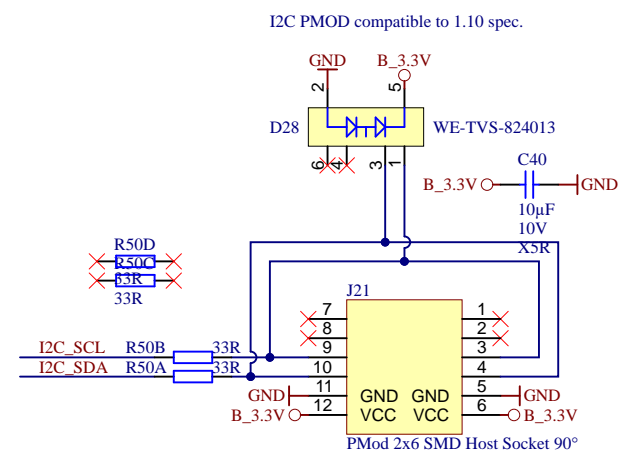
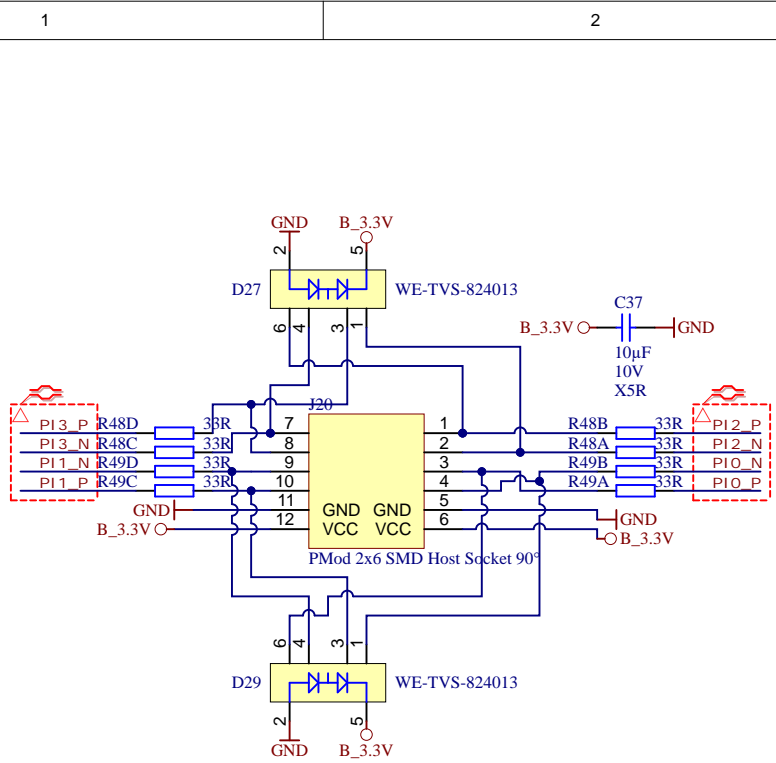
Title: TEB0724 - Ethernet		
A4	Number: TEB0724 default	Rev. 02
Date: 2018-07-28	Copyright: Trenz Electronic GmbH	Page4 of 12
Filename: ETHERNET.SchDoc		



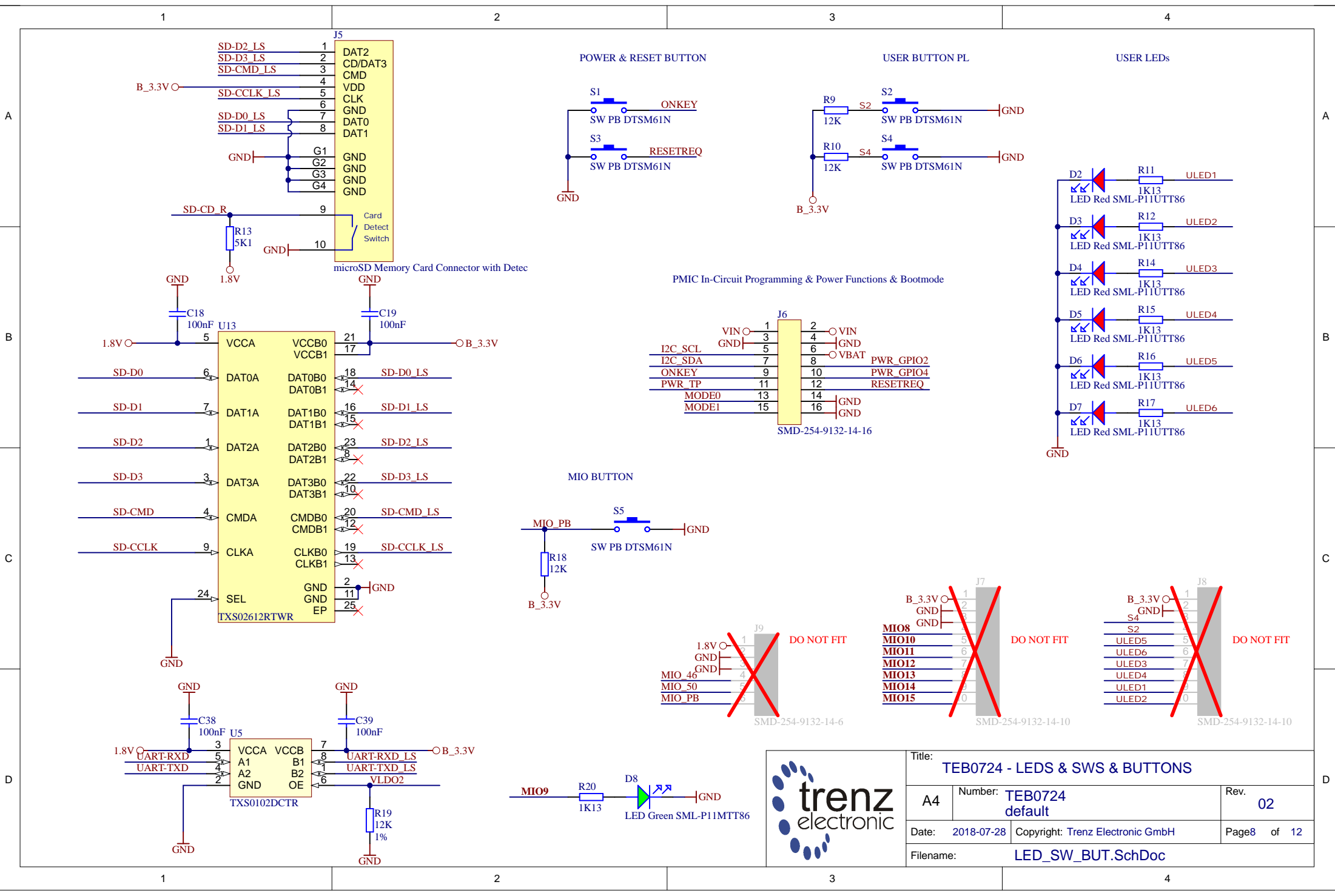
Title: TEB0724 - PMODS1		
A4	Number: TEB0724 default	Rev. 02
Date: 2018-07-28	Copyright: Trenz Electronic GmbH	Page5 of 12
Filename: PMODS1.SchDoc		



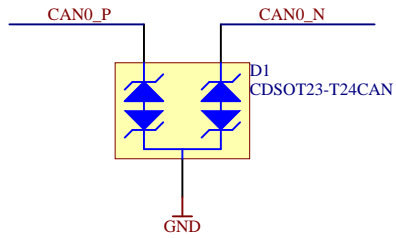
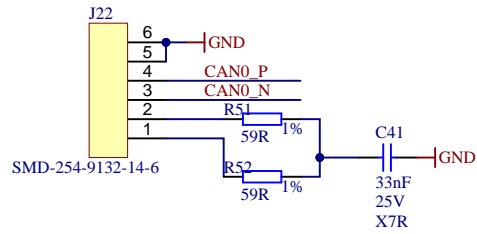
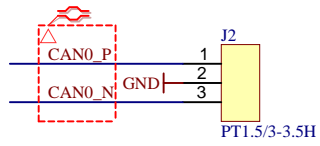
Title: TEB0724 - PMODS2		
A4	Number: TEB0724 default	Rev. 02
Date: 2018-07-28	Copyright: Trenz Electronic GmbH	
Page 6 of 12		Filename: PMODs2.SchDoc




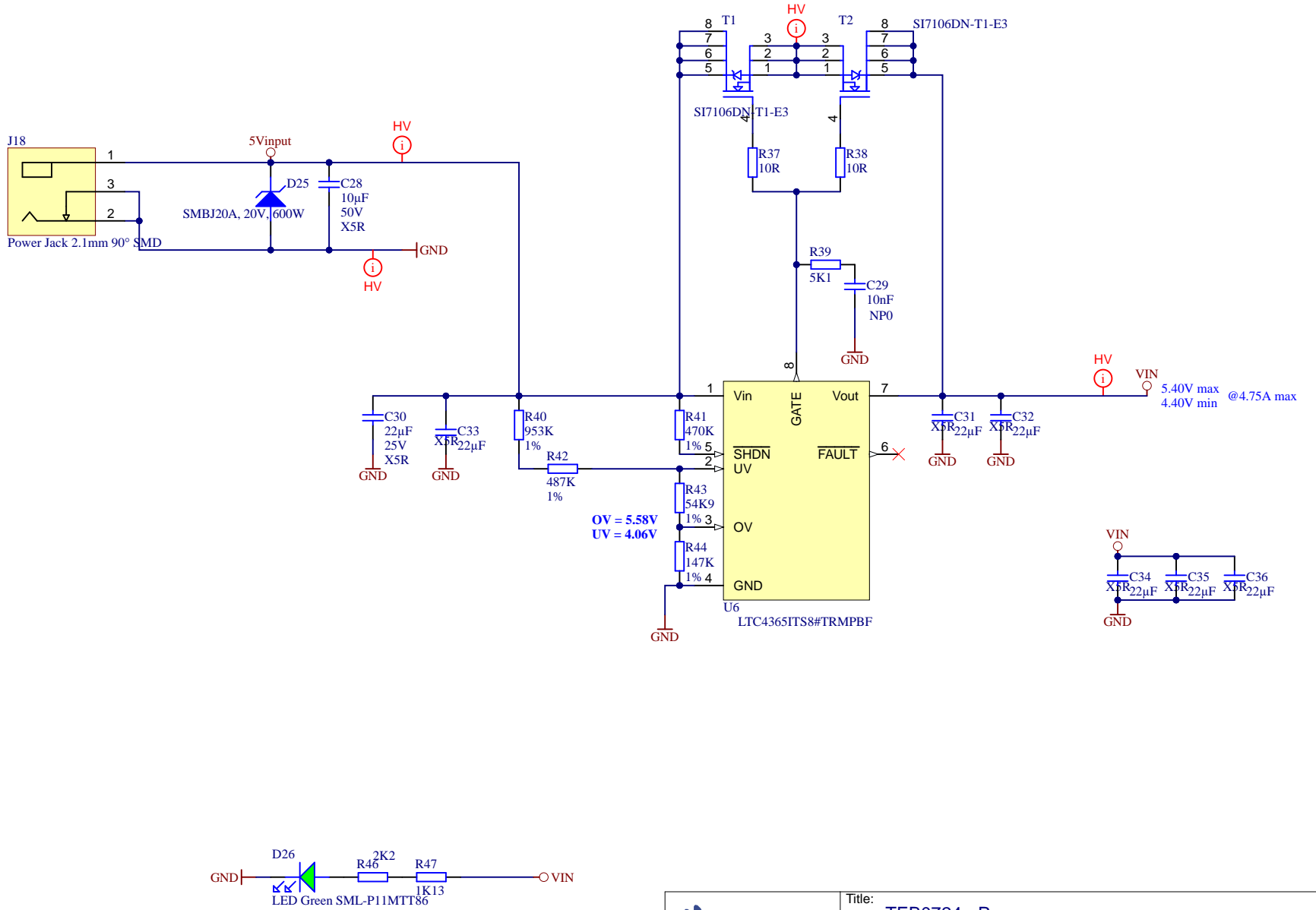
	Title: TEB0724 - PMODS3		
	A4	Number: TEB0724 default	Rev. 02
	Date: 2018-07-28	Copyright: Trenz Electronic GmbH	Page 7 of 12
	Filename: PMODS3.SchDoc		




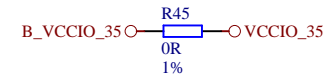
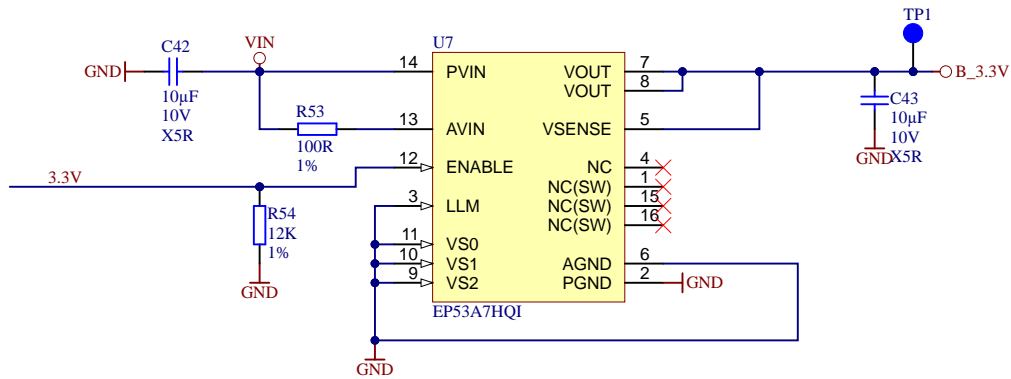
Title: TEB0724 - LEDS & SWS & BUTTONS		
A4	Number: TEB0724 default	Rev. 02
Date: 2018-07-28	Copyright: Trenz Electronic GmbH	Page 8 of 12
Filename: LED_SW_BUT.SchDoc		



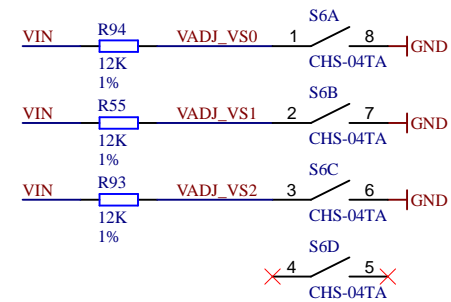
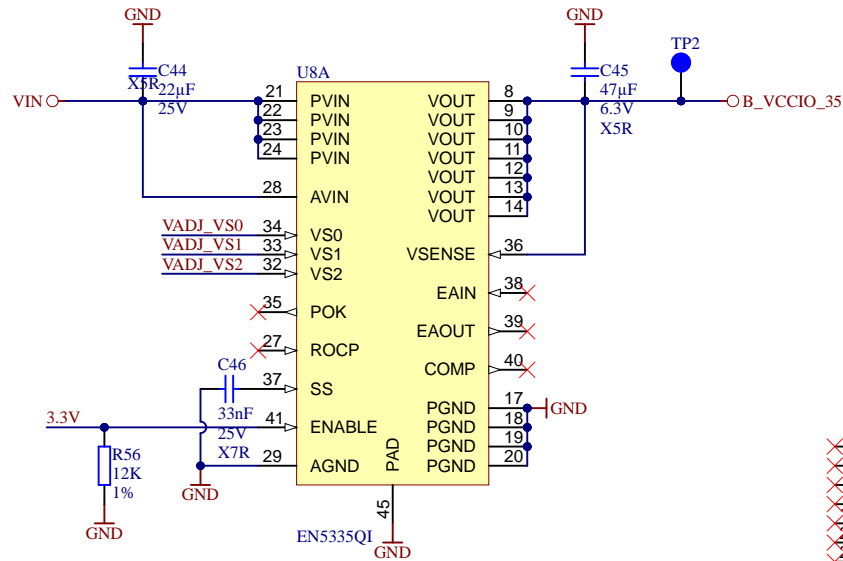
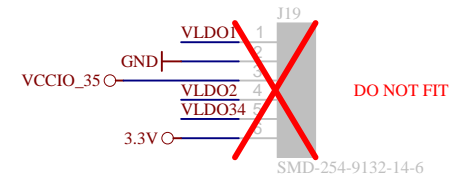
		Title: TEB0724 - CAN	
		A4	Number: TEB0724 default
Date: 2018-07-28		Copyright: Trenz Electronic GmbH	
Filename: CAN.SchDoc		Page 9 of 12	



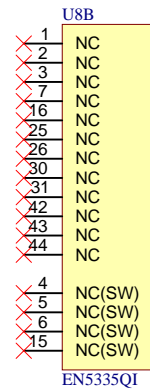
		Title: TEB0724 - Power	
		A4	Number: TEB0724 default
Date: 2018-07-28		Copyright: Trenz Electronic GmbH	Rev. 02
Filename: POWER.SchDoc		Page 10 of 12	



Bank35 voltage select if 0 Ohm not placed



VS2	VS1	VS0	Output Voltage
0	0	0	3.3V
0	0	1	2.5V
0	1	0	1.8V
0	1	1	1.5V
1	0	0	1.25V
1	0	1	1.2V



Title: TEB0724 - Power DCDC		
A4	Number: TEB0724 default	Rev. 02
Date: 2018-07-28	Copyright: Trenz Electronic GmbH	Page 11 of 12
Filename: POWER_DCDC.SchDoc		

REV. 01:

initial version


REV. 02:

- 1) Added sheets Revision changes and Power_DCDC
- 2) Added DCDCs for B_3.3V and B_VCCIO_35
- 3) Added dip switches for adjustable B_VCCIO_35
- 4) Reworked all Powerpolys.
- 5) BOM optimization: Replaced 10µF Caps by X5R type.
e.g. R6, R18: Replaced Pullups by 12KOhm
R20, R47: 1K07 -> 1K13

2019-08-30
6) Replaced R40 by 953k and R44 by 147k

2024-04-12
7) Set S/N track-it pad to not fitted (EOL)

2025-06-16
8) Removed Diligent licence (MISC1).

	Title: TEB0724 - Revision Changes		
	A4	Number: TEB0724 default	Rev. 02
	Date: 2018-07-28	Copyright: Trenz Electronic GmbH	Page 12 of 12
	Filename: Revision changes.SchDoc		