

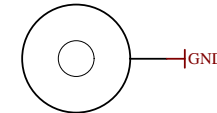
1

2

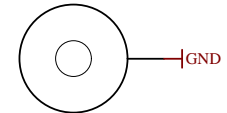
3

4

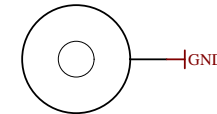
U_J1 J1.SchDoc	U_B_PS_GT B_PS_GT.SchDoc	U_DDR4-TERM DDR4-TERM.SchDoc
U_J2 J2.SchDoc	U_PS_DDR PS_DDR.SchDoc	U_ZU_POWER ZU_POWER.SchDoc
U_J3 J3.SchDoc	U_B_MIO B_MIO.SchDoc	U_ZU_PS_POWER ZU_PS_POWER.SchDoc
U_J4 J4.SchDoc	U_B_HD B_HD.SchDoc	U_POWER POWER.SchDoc
U_DDR4-TERM DDR4-TERM.SchDoc	U_Clock Clock.SchDoc	U_POWER_2 POWER_2.SchDoc
U_B64 B64.SchDoc	U_CONFIG CONFIG.SchDoc	U_POWER_3 POWER_3.SchDoc
U_B65 B65.SchDoc	U_DDR4-RAM DDR4-RAM.SchDoc	U_POWER_4 POWER_4.SchDoc
U_B66 B66.SchDoc	U_DDR4-RAM_2 DDR4-RAM_2.SchDoc	
U_B_GT B_GT.SchDoc	U_DDR4-RAM_3 DDR4-RAM_3.SchDoc	
U_B_GT_2 B_GT_2.SchDoc	U_DDR4-RAM_4 DDR4-RAM_4.SchDoc	



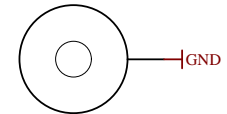
Mount.Hole 3.2mm für Unterlegscheibe



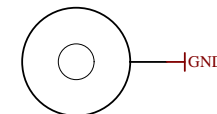
Mount.Hole 3.2mm für Unterlegscheibe



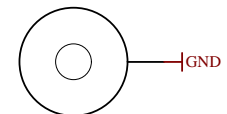
Mount.Hole 3.2mm für Unterlegscheibe



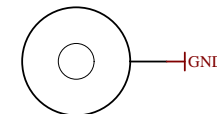
Mount.Hole 3.2mm für Unterlegscheibe



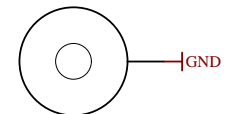
Mount.Hole 3.2mm für Unterlegscheibe



Mount.Hole 3.2mm für Unterlegscheibe

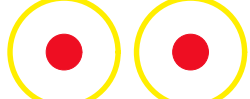


Mount.Hole 3.2mm für Unterlegscheibe



Mount.Hole 3.2mm für Unterlegscheibe

FIDU-DOT - small FIDU-DOT - small



PM1 PM2
FIDU-DOT - small FIDU-DOT - small



PM3 PM4
FIDU-DOT - small FIDU-DOT - small



PM5 PM6

LOGO1

TE Logo PRINT Layer

LOGO PRINT

Serial
Serial
Serialnumber 6,3 x 6.3mm



Title: TE0808		
A4	Number: TE0808 PROTO	Rev. 02
Date: 2016-03-09	Copyright: Trenz Electronic GmbH / TT	Page1 of 27
Filename: TE0808.SchDoc		

1

2

3

4

A

A

B

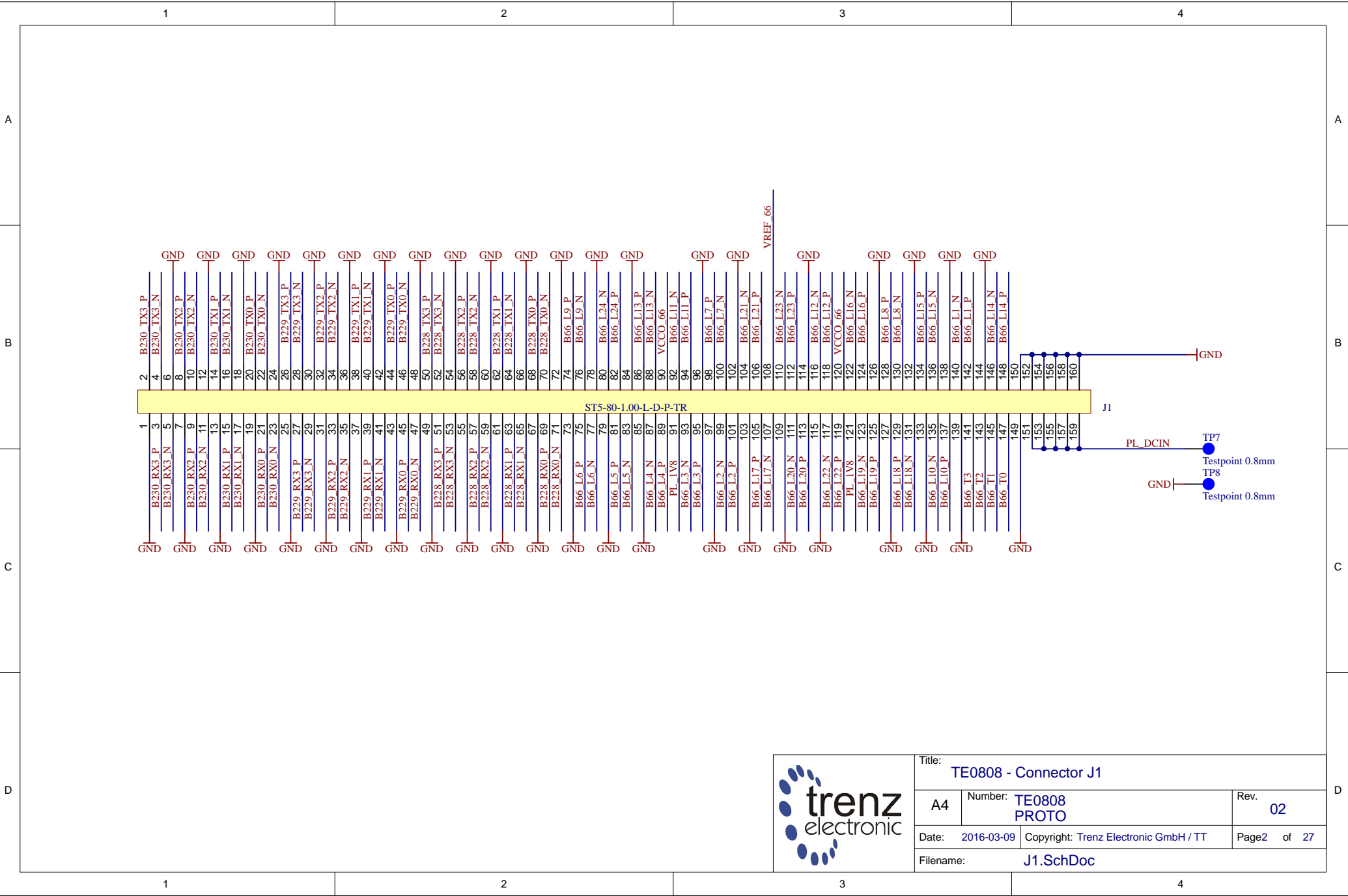
B

C

C

D

D



Title: TE0808 - Connector J1		
A4	Number: TE0808 PROTO	Rev. 02
Date: 2016-03-09	Copyright: Trenz Electronic GmbH / TT	Page2 of 27
Filename: J1.SchDoc		

1

2

3

4

A

A

B

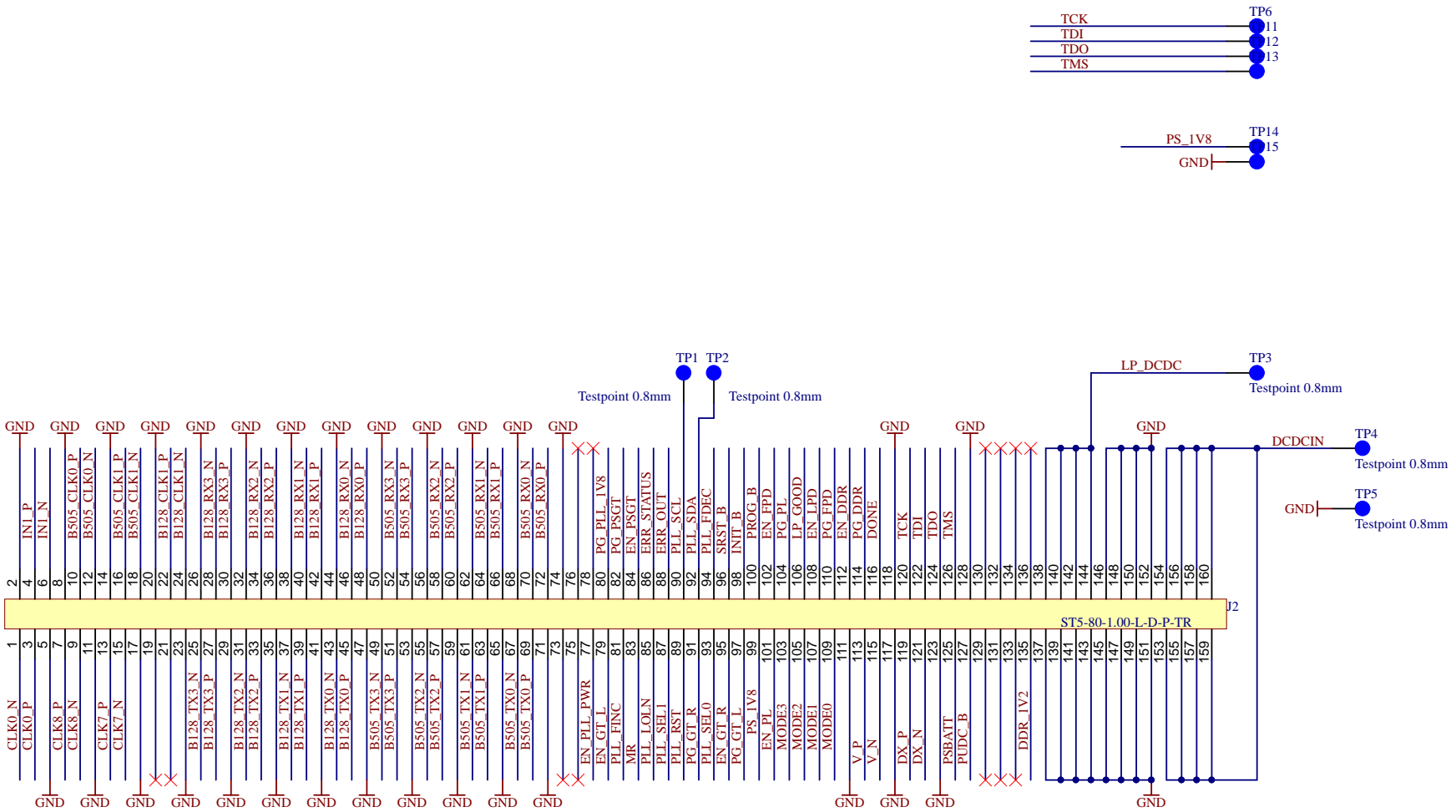
B

C

C

D

D



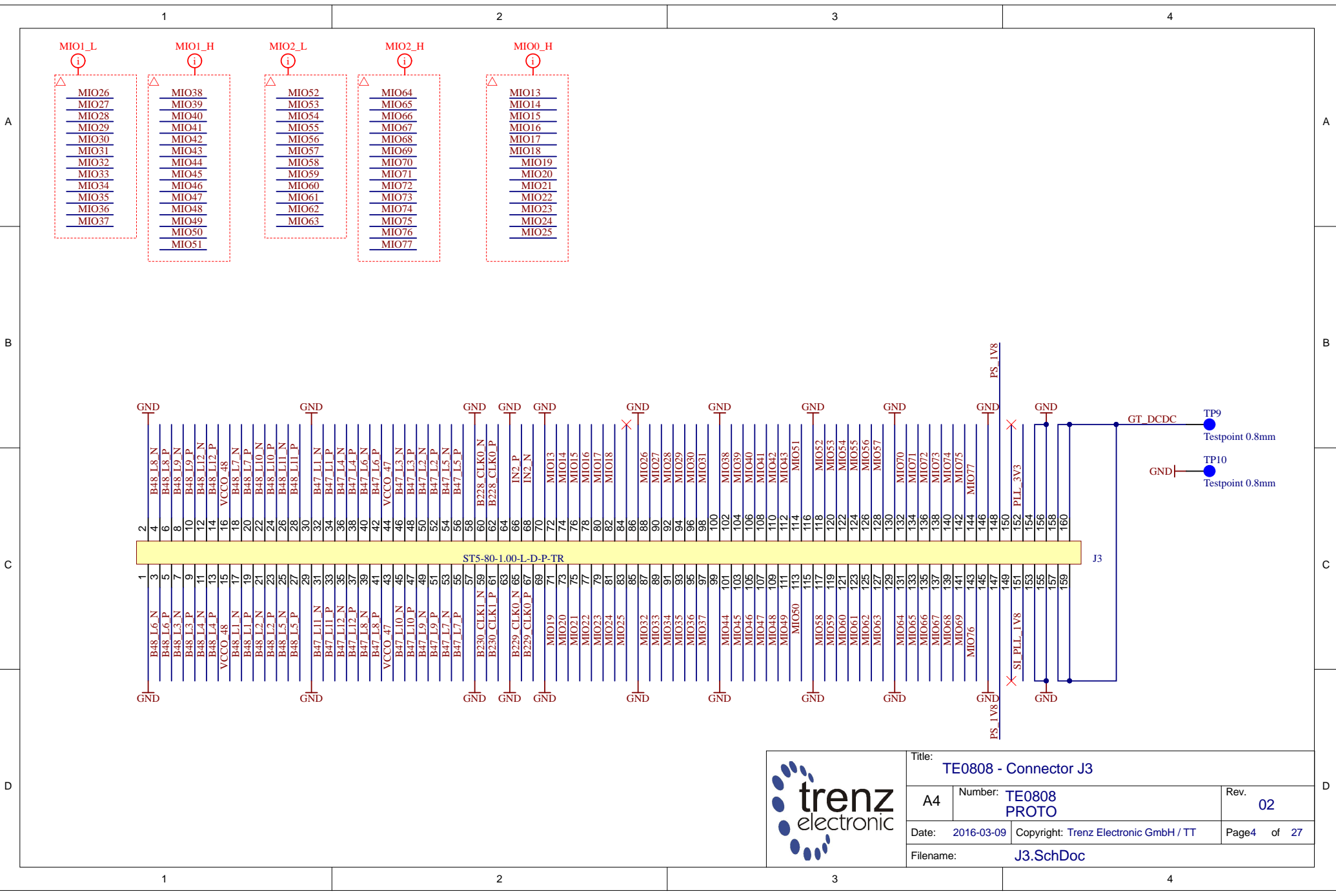
	Title: TE0808 - Connector J2	
	A4	Number: TE0808 PROTO
	Date: 2016-03-09	Copyright: Trenz Electronic GmbH / TT
	Rev. 02	Page3 of 27
Filename: J2.SchDoc		


1

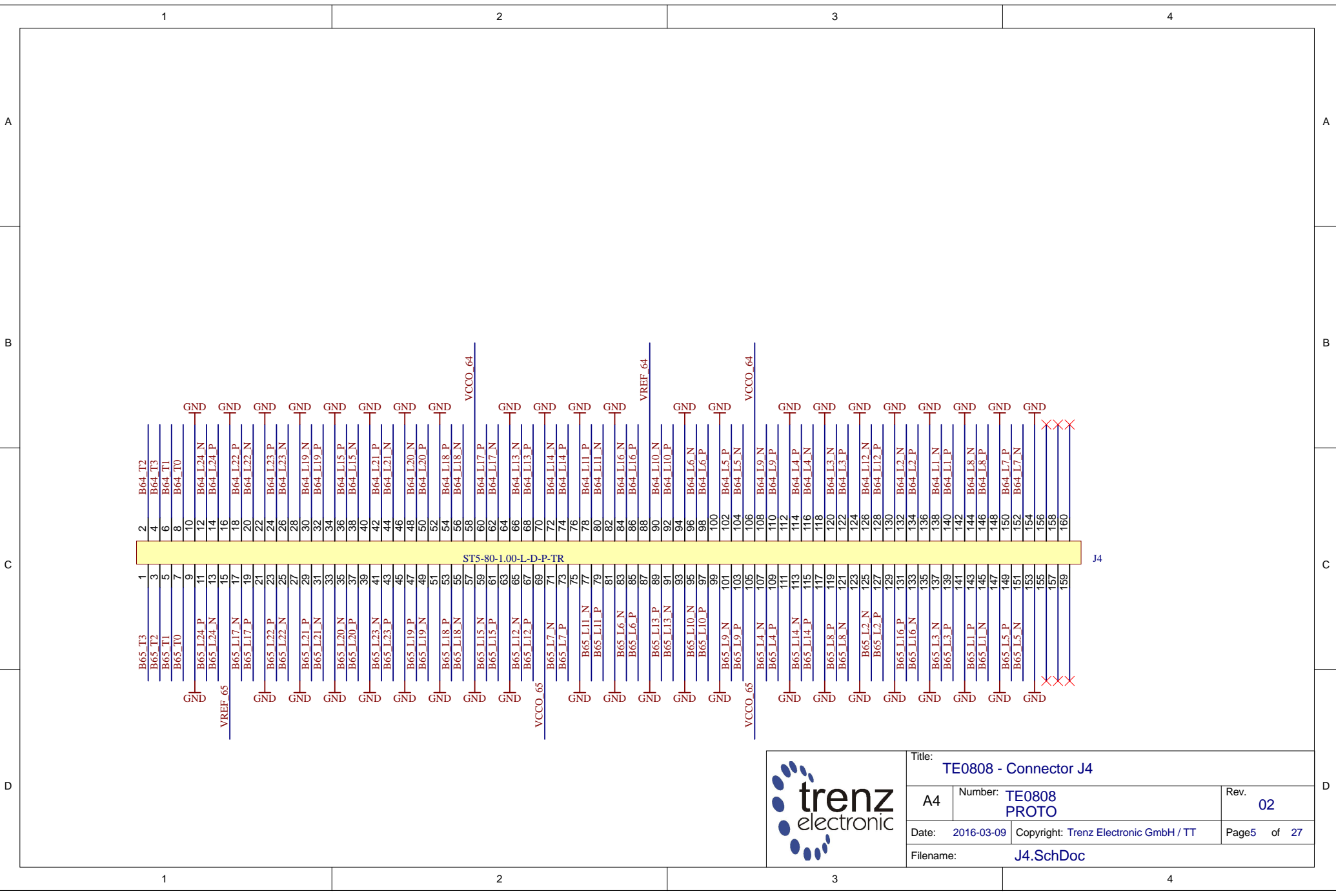
2


3

4



			Title: TE0808 - Connector J3	
			A4	Number: TE0808 PROTO
Date: 2016-03-09		Copyright: Trenz Electronic GmbH / TT		Page4 of 27
Filename:		J3.SchDoc		



	Title: TE0808 - Connector J4	
	A4	Number: TE0808 PROTO
	Date: 2016-03-09	Copyright: Trenz Electronic GmbH / TT
	Rev. 02	
Filename: J4.SchDoc		Page5 of 27

1

2

3

4

A

A

B

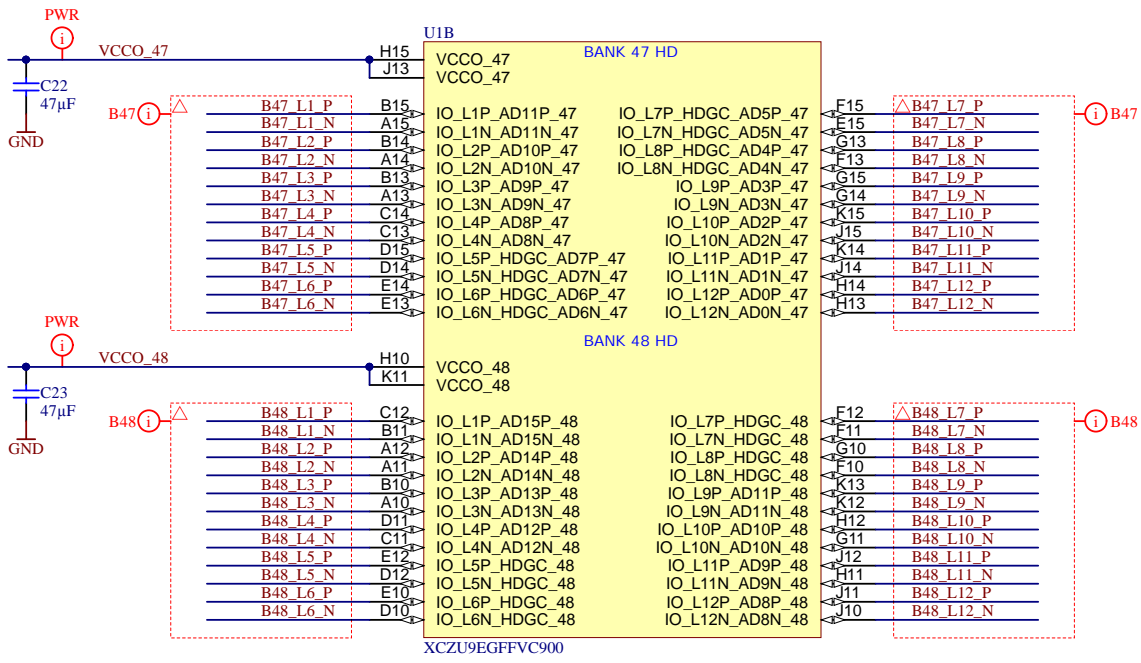
B

C

C

D

D



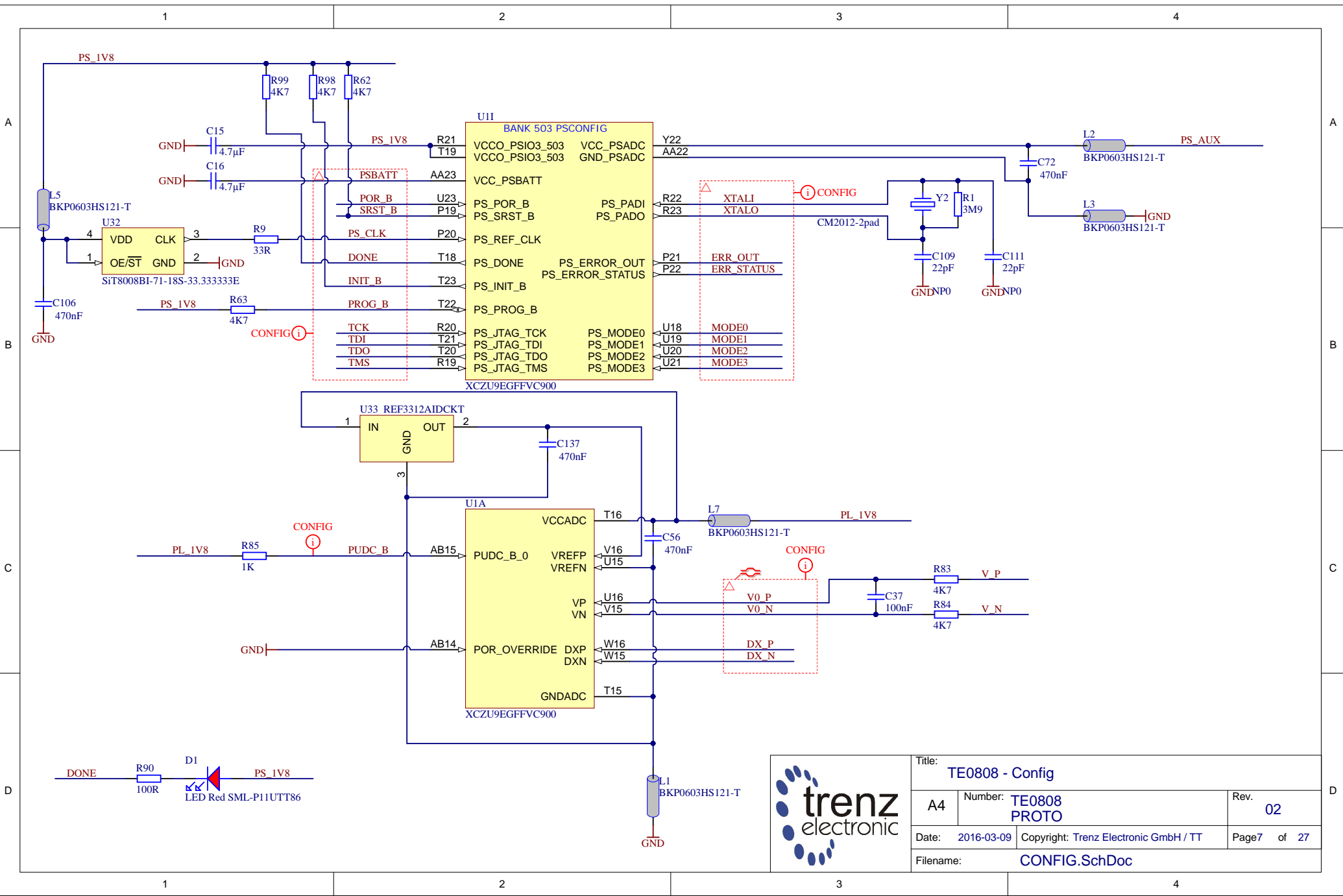

Title: TE0808 - B47HD and B48HD		
A4	Number: TE0808 PROTO	Rev. 02
Date: 2016-03-09	Copyright: Trenz Electronic GmbH / TT	Page6 of 27
Filename: B_HD.SchDoc		

1

2

3

4

Title: TE0808 - Config		
A4	Number: TE0808 PROTO	Rev. 02
Date: 2016-03-09	Copyright: Trenz Electronic GmbH / TT	Page7 of 27
Filename: CONFIG.SchDoc		

1

2

3

4

A

A

B

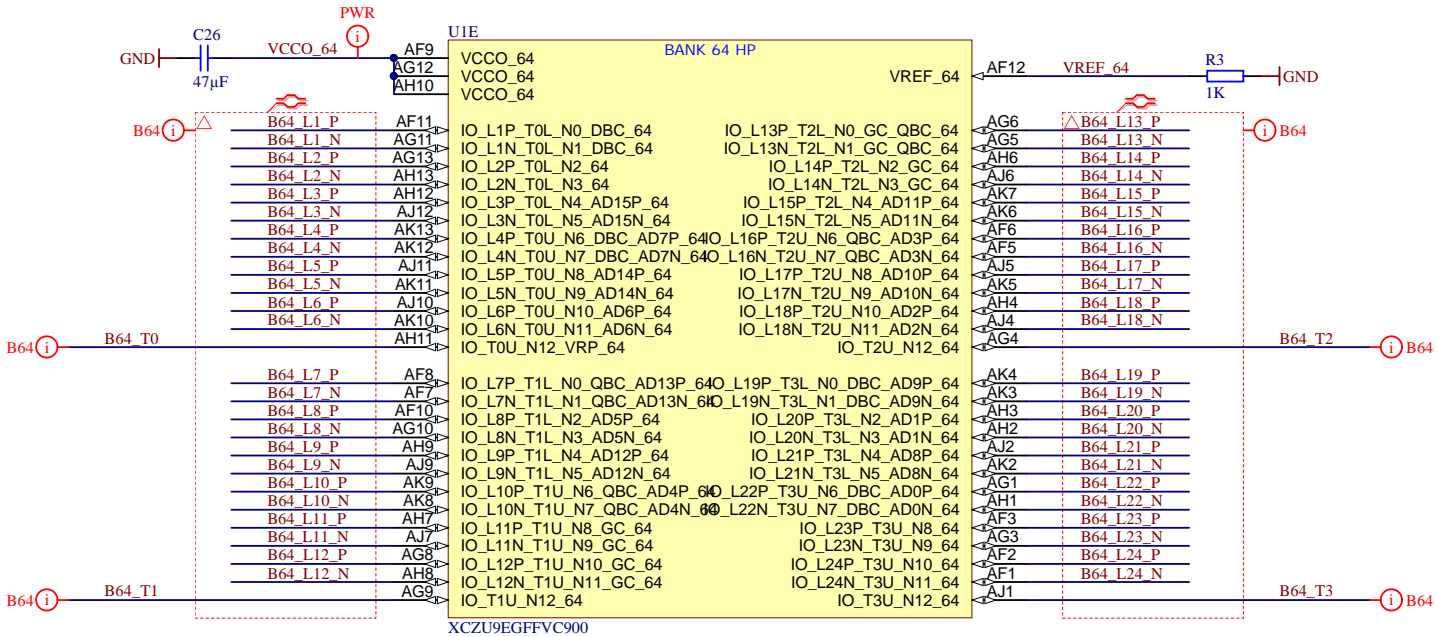
B

C

C

D

D



	Title: TE0808 - B64	
	A4	Number: TE0808 PROTO
	Date: 2016-03-09	Copyright: Trenz Electronic GmbH / TT
	Filename: B64.SchDoc	
	Rev. 02	Page8 of 27

1

2

3

4

1

2

3

4

A

A

B

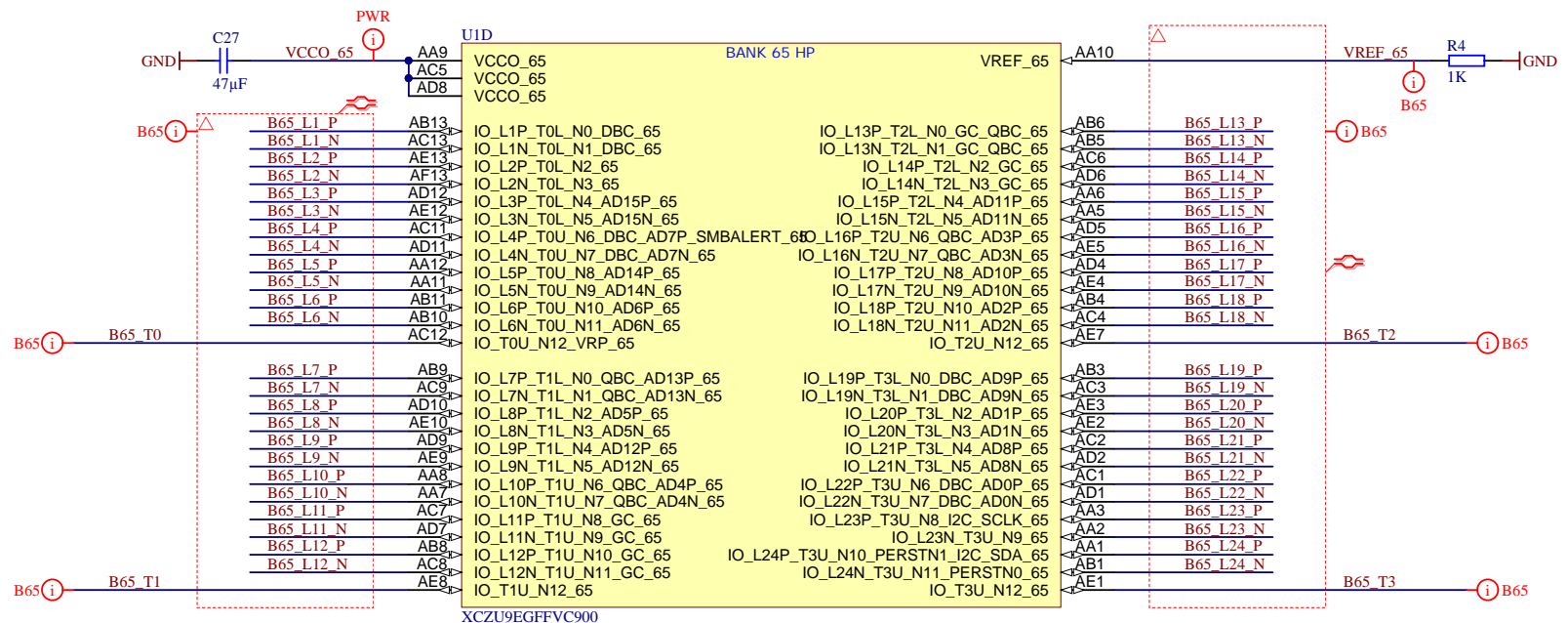
B

C

C

D

D



	Title: TE0808 - B65	
	A4	Number: TE0808 PROTO
	Date: 2016-03-09	Copyright: Trenz Electronic GmbH / TT
	Rev. 02	Page9 of 27
Filename: B65.SchDoc		

1

2

3

4

1

2

3

4

A

A

B

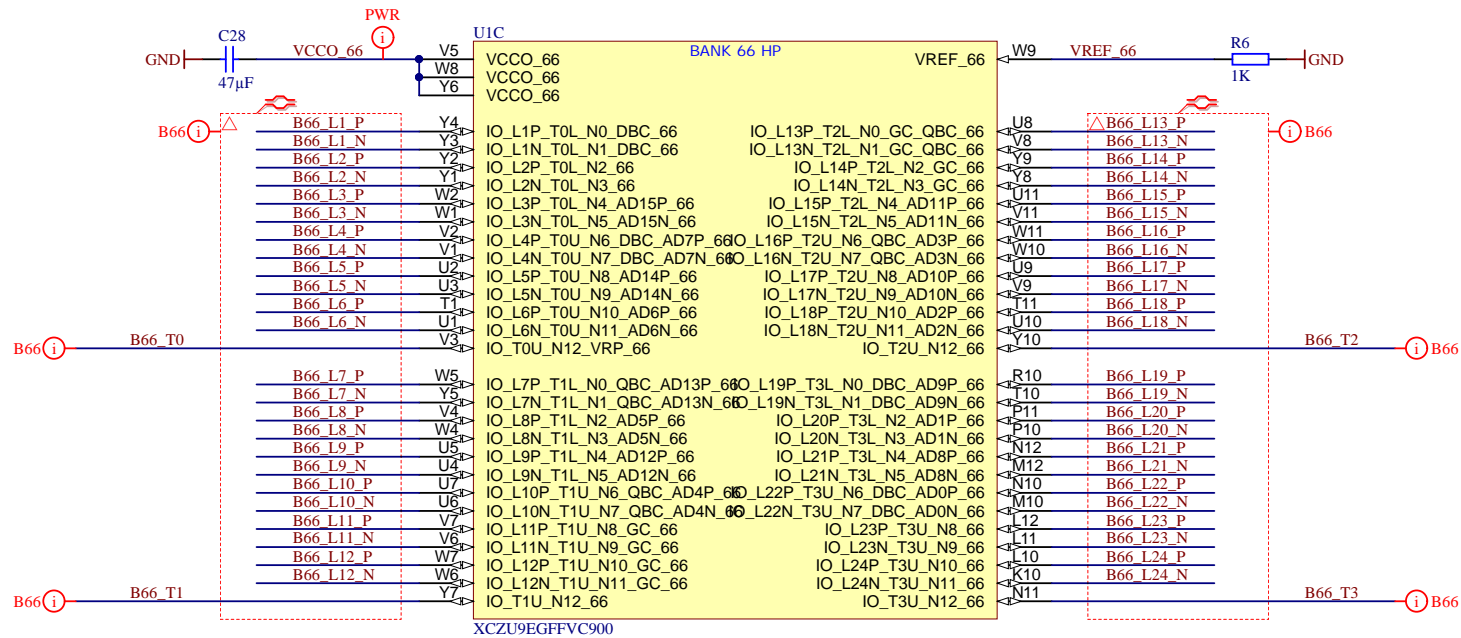
B

C

C

D

D



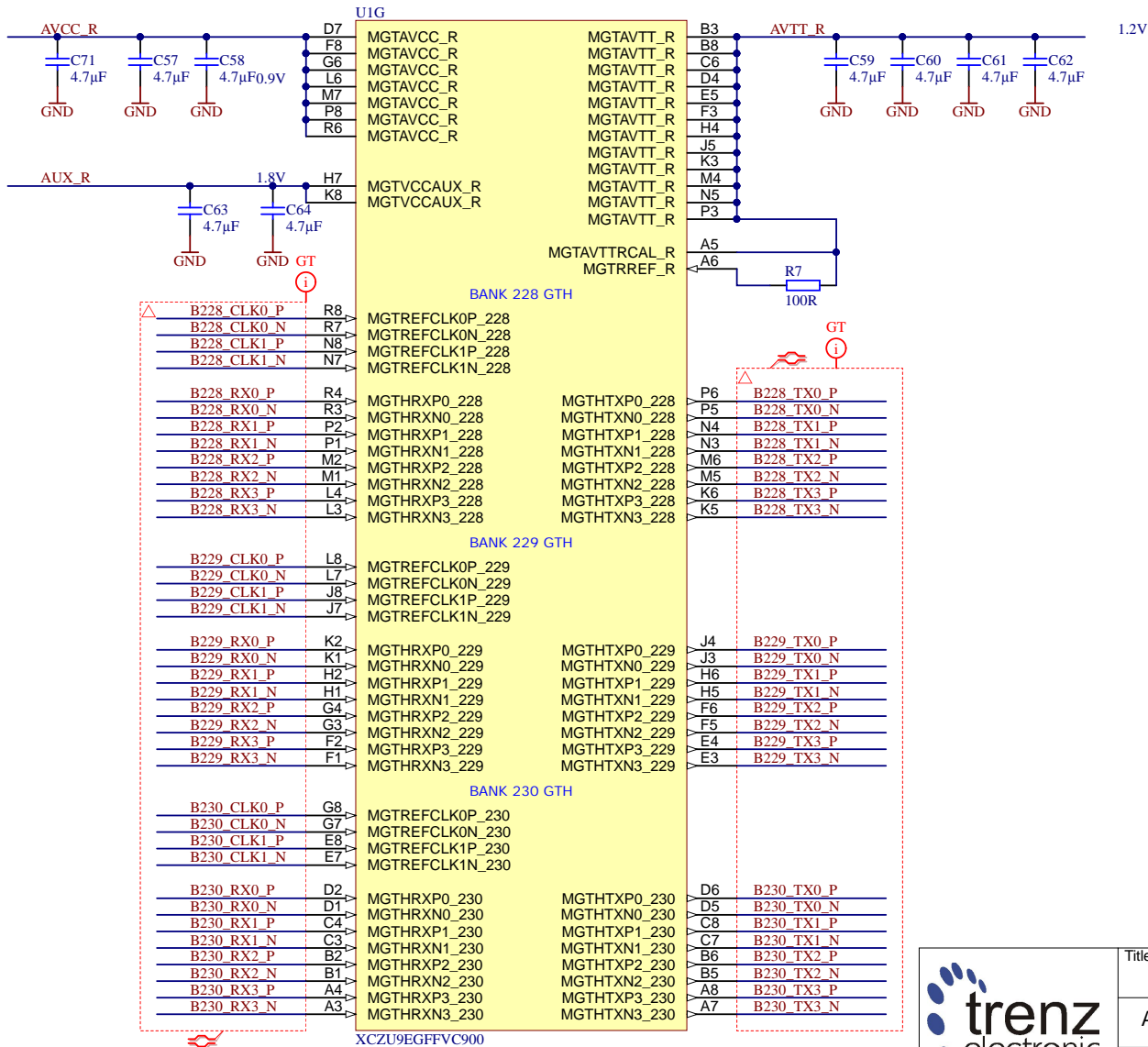
Title: TE0808 - B66		
A4	Number: TE0808 PROTO	Rev. 02
Date: 2016-03-09	Copyright: Trenz Electronic GmbH / TT	Page10 of 27
Filename: B66.SchDoc		

1

2

3

4



Title: TE0808 - B228GTH_B229GTH_B230GTH		
A4	Number: TE0808 PROTO	Rev. 02
Date: 2016-03-09	Copyright: Trenz Electronic GmbH / TT	Page 11 of 27
Filename: B_GT.SchDoc		

1

2

3

4

A

A

B

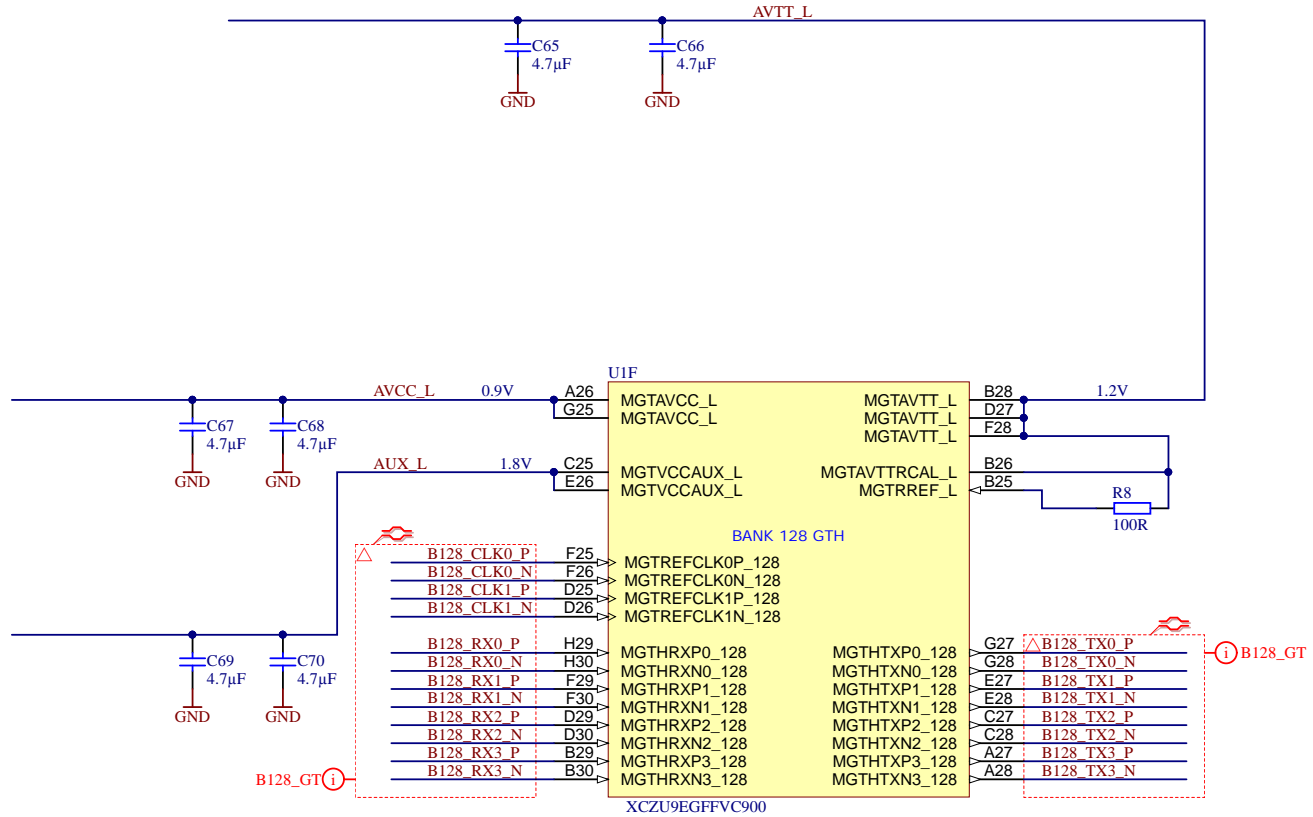
B

C

C

D

D



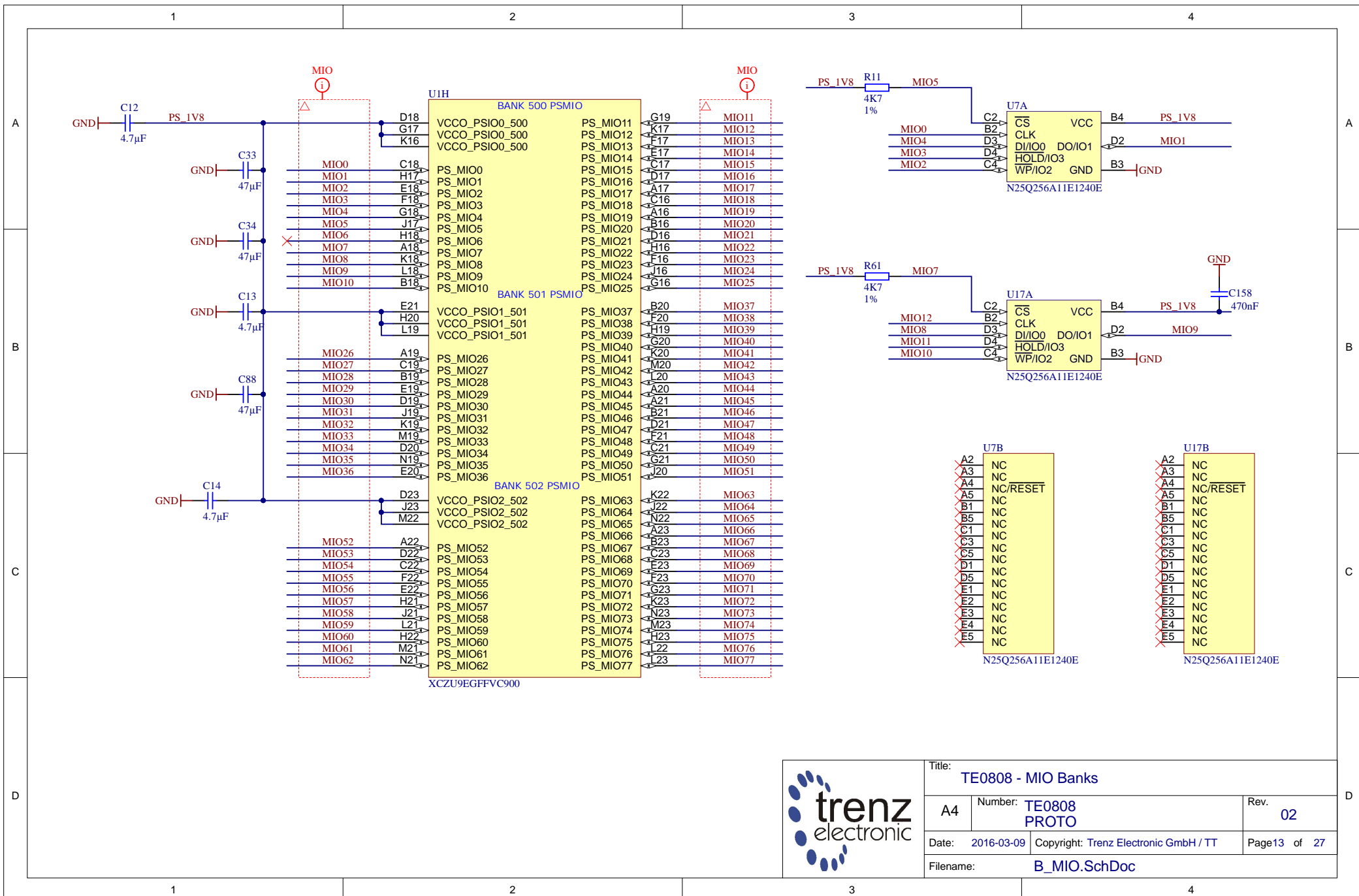
	Title: TE0808 - B128GTH		
	A4	Number: TE0808 PROTO	Rev. 02
	Date: 2016-03-09	Copyright: Trenz Electronic GmbH / TT	Page 12 of 27
	Filename: B_GT_2.SchDoc		

1

2

3

4



	Title: TE0808 - MIO Banks		
	A4	Number: TE0808 PROTO	Rev. 02
	Date: 2016-03-09	Copyright: Trenz Electronic GmbH / TT	Page13 of 27
	Filename: B_MIO.SchDoc		

1

2

3

4

A

A

B

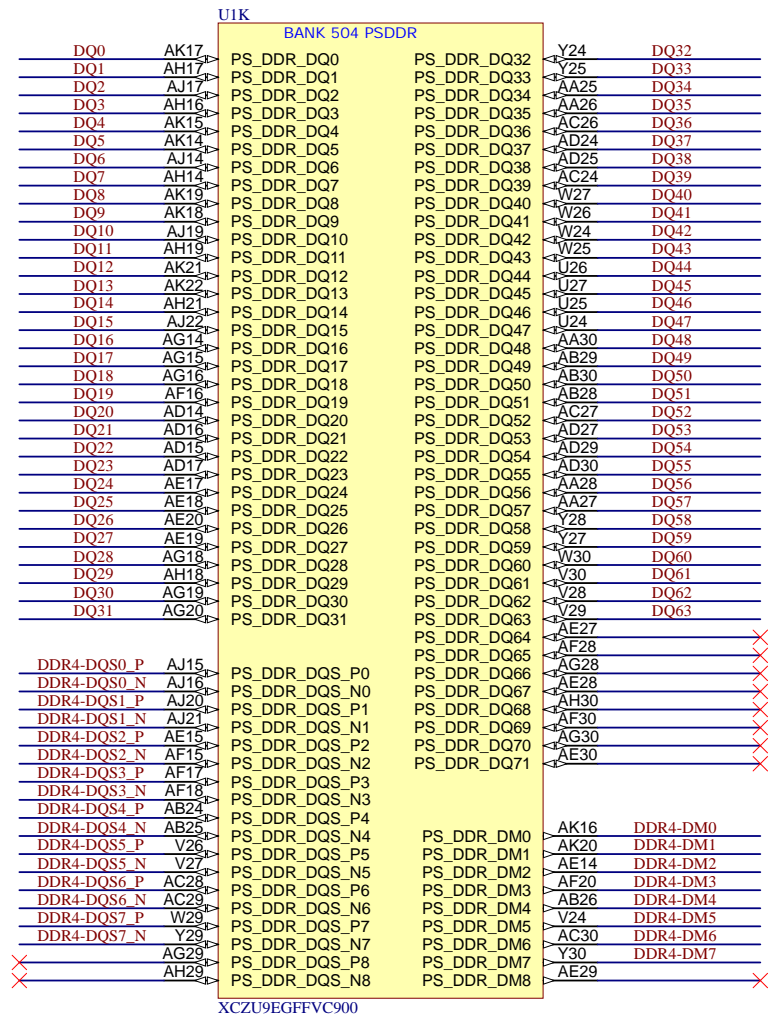
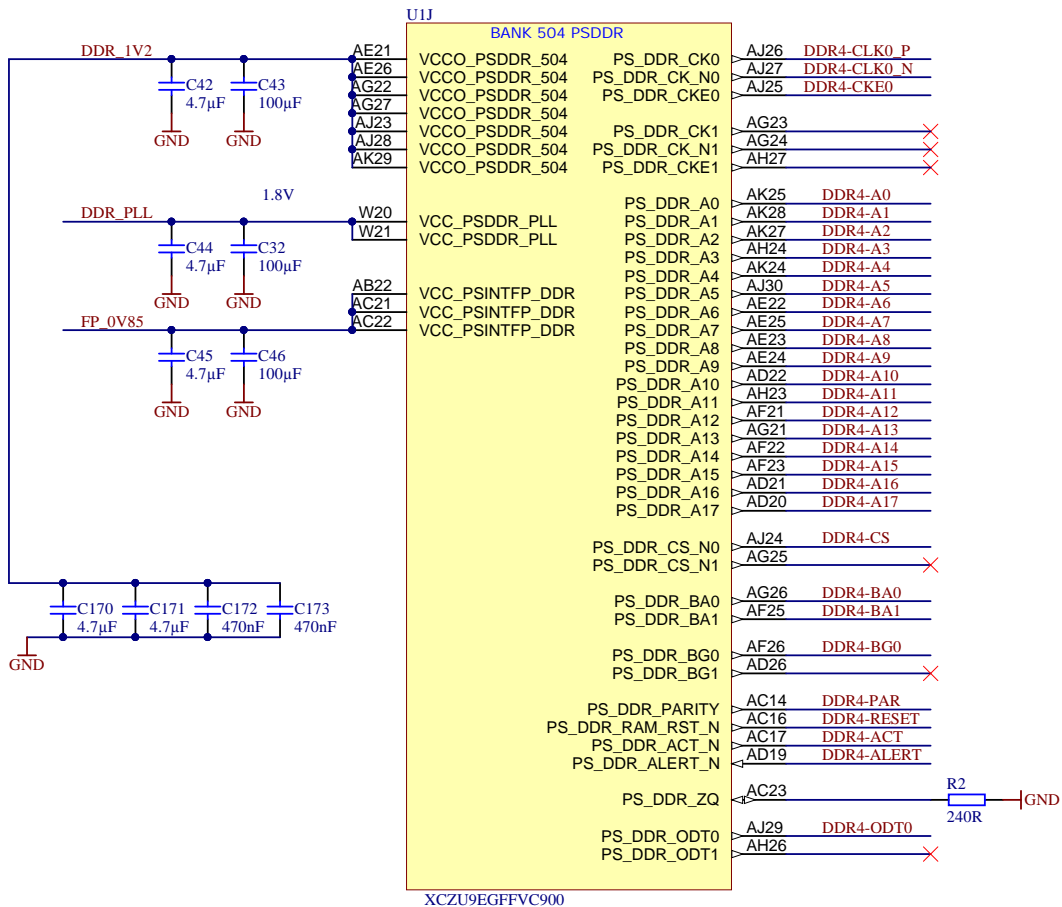
B

C

C

D

D



trenz electronic

Title: TE0808 - PS_DDR

A4 Number: TE0808 PROTO Rev. 02

Date: 2016-03-09 Copyright: Trenz Electronic GmbH / TT Page14 of 27

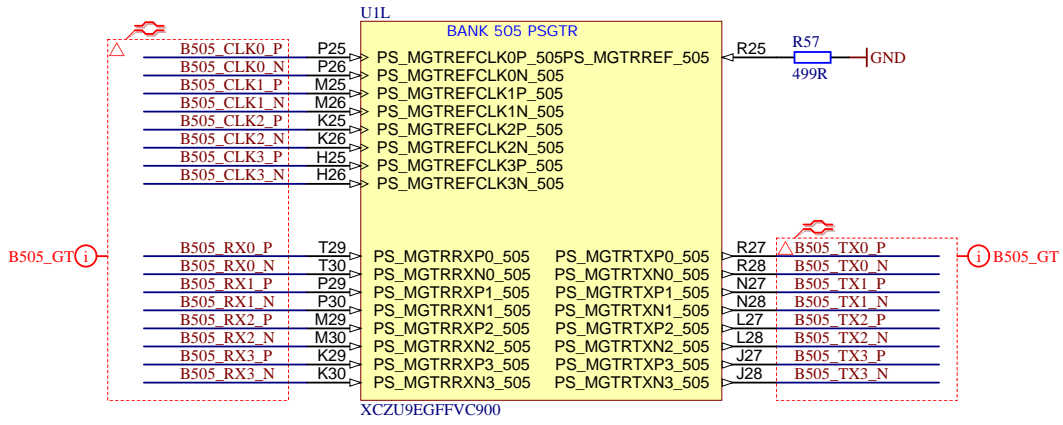
Filename: PS_DDR.SchDoc


1

2

3

4



		Title: TE0808 - PS_GT	
		A4	Number: TE0808 PROTO
Date: 2016-03-09		Copyright: Trenz Electronic GmbH / TT	
Filename: B_PS_GT.SchDoc		Page 15 of 27	

1

2

3

4

A

A

B

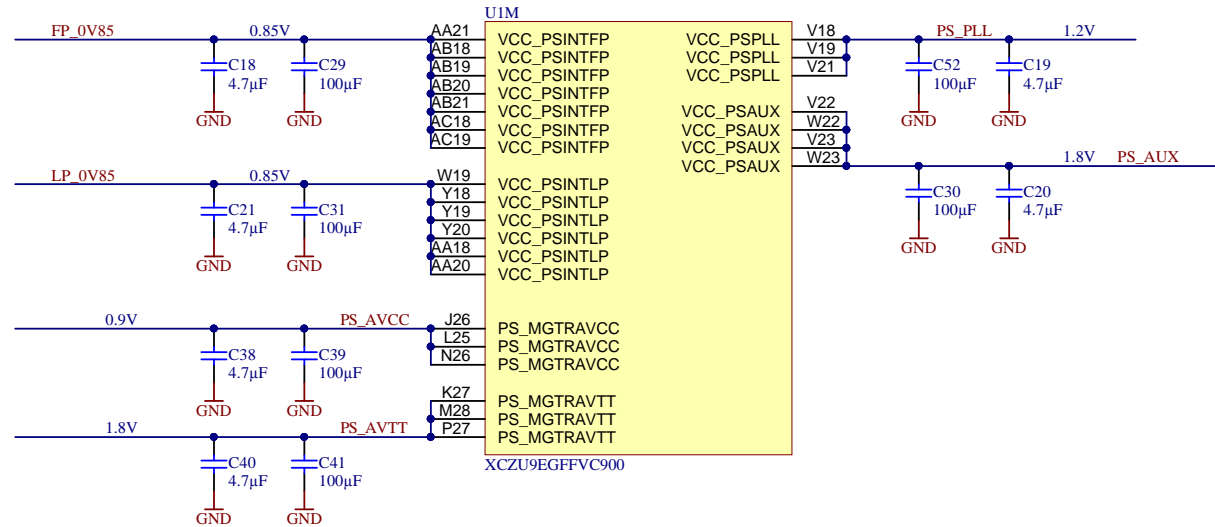
B


C

C

D

D



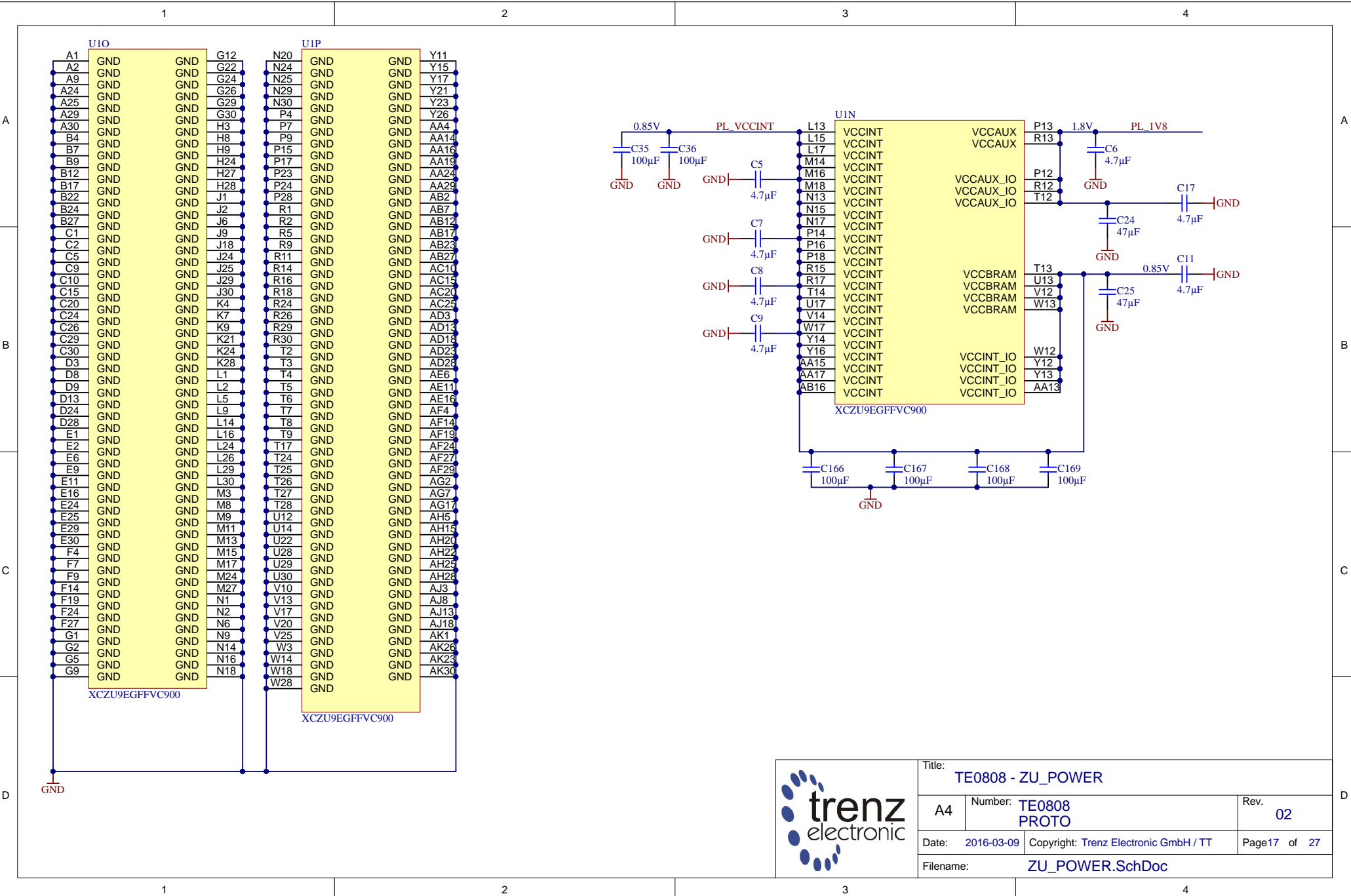
		Title: TE0808 - ZU_PS_POWER	
		A4	Number: TE0808 PROTO
Date: 2016-03-09		Copyright: Trenz Electronic GmbH / TT	
Filename: ZU_PS_POWER.SchDoc		Page 16 of 27	

1

2

3

4



Title: TE0808 - ZU_POWER		
A4	Number: TE0808 PROTO	Rev. 02
Date: 2016-03-09	Copyright: Trenz Electronic GmbH / TT	Page 17 of 27
Filename: ZU_POWER.SchDoc		

1

2

3

4

A

A

B

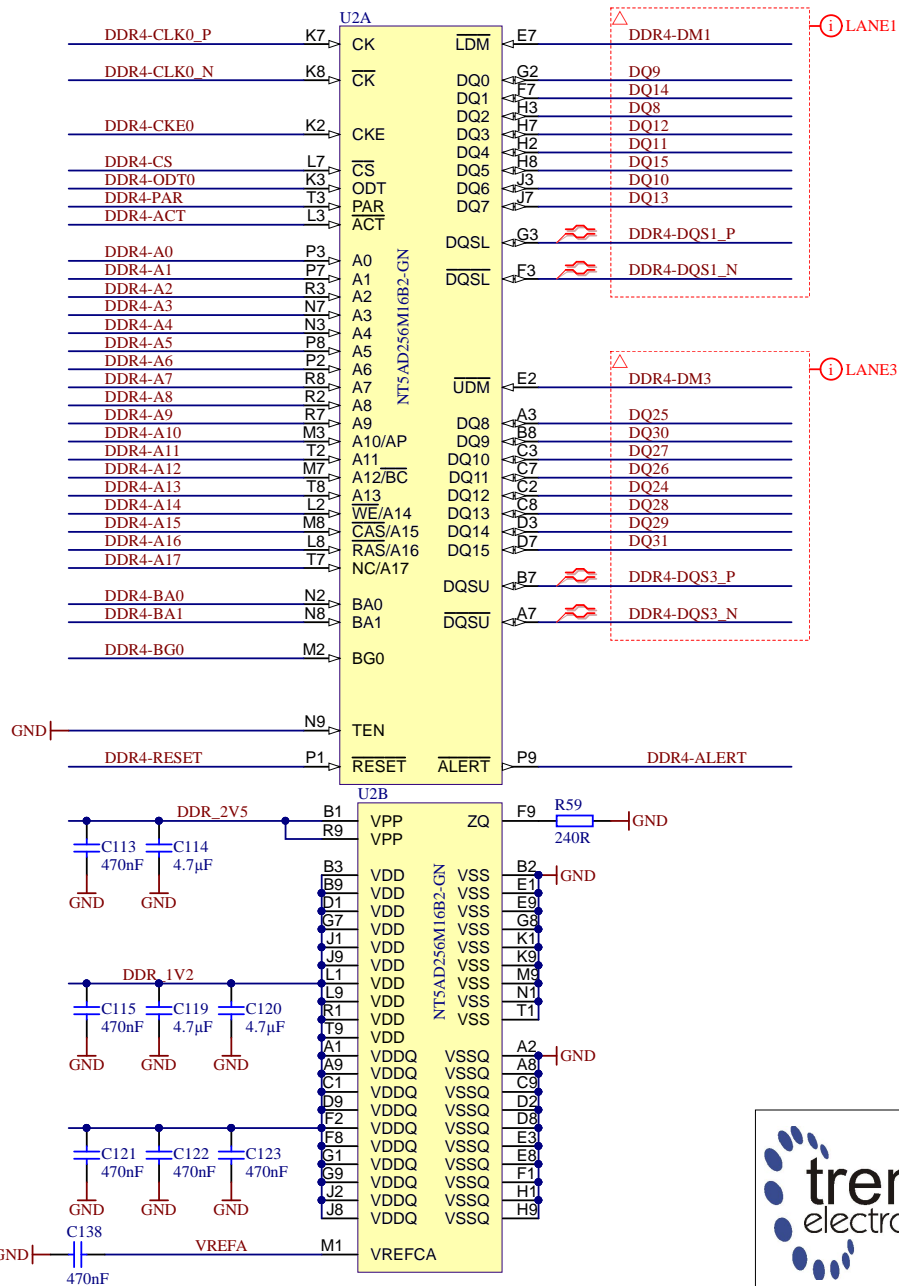
B

C

C

D

D



Title: TE0808 - DDR4_1_RAM		
A4	Number: TE0808 PROTO	Rev. 02
Date: 2016-03-09	Copyright: Trenz Electronic GmbH / TT	Page18 of 27
Filename: DDR4-RAM.SchDoc		

1

2

3

4

1

2

3

4

A

A

B

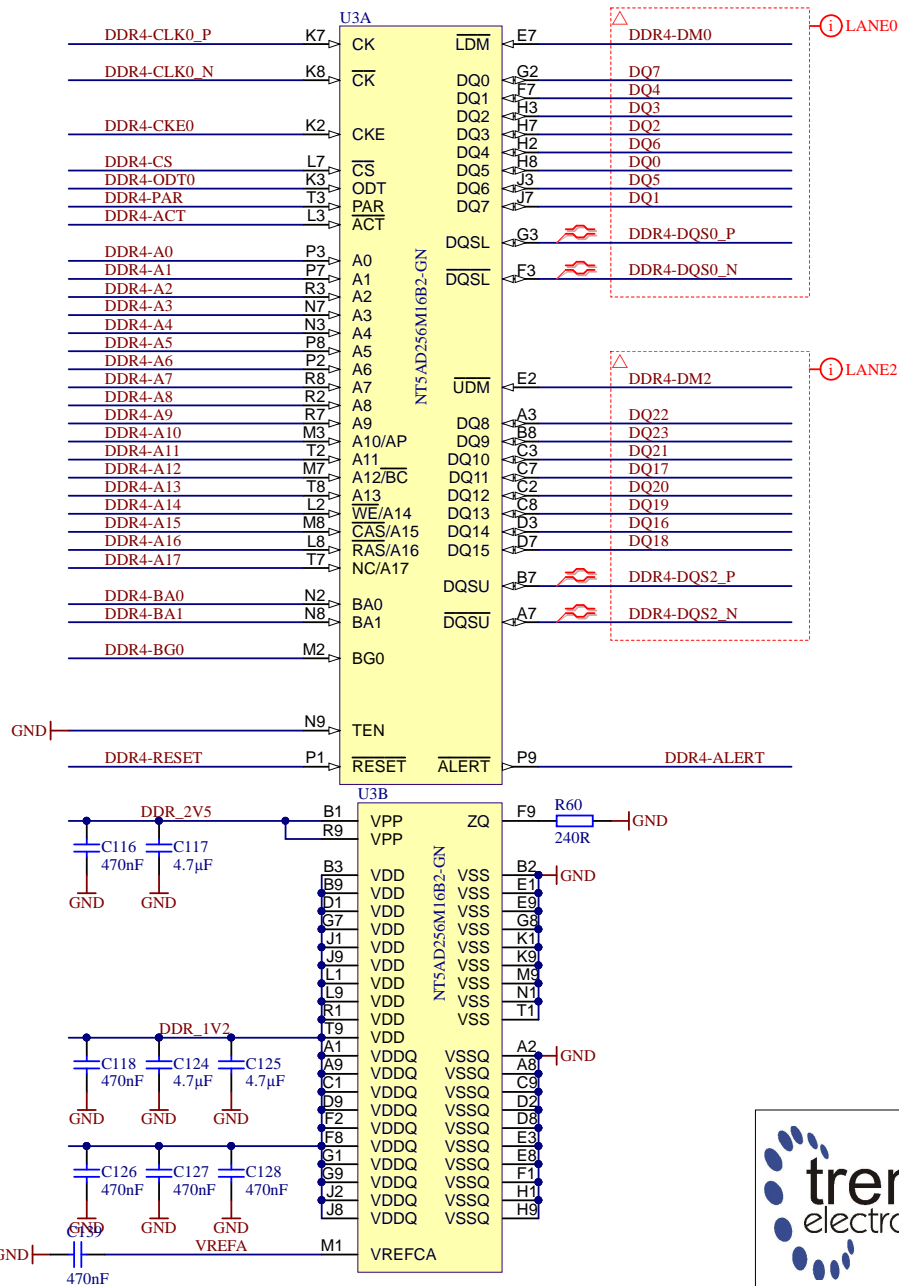

B

C

C

D

D

Title: TE0808 - DDR4_2_RAM		
A4	Number: TE0808 PROTO	Rev. 02
Date: 2016-03-09	Copyright: Trenz Electronic GmbH / TT	Page 19 of 27
Filename: DDR4-RAM_2.SchDoc		

1

2

3

4

1

2

3

4

A

A

B

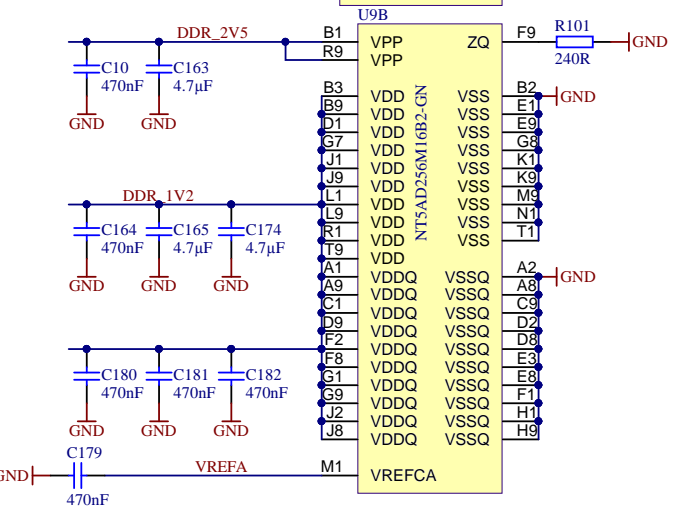
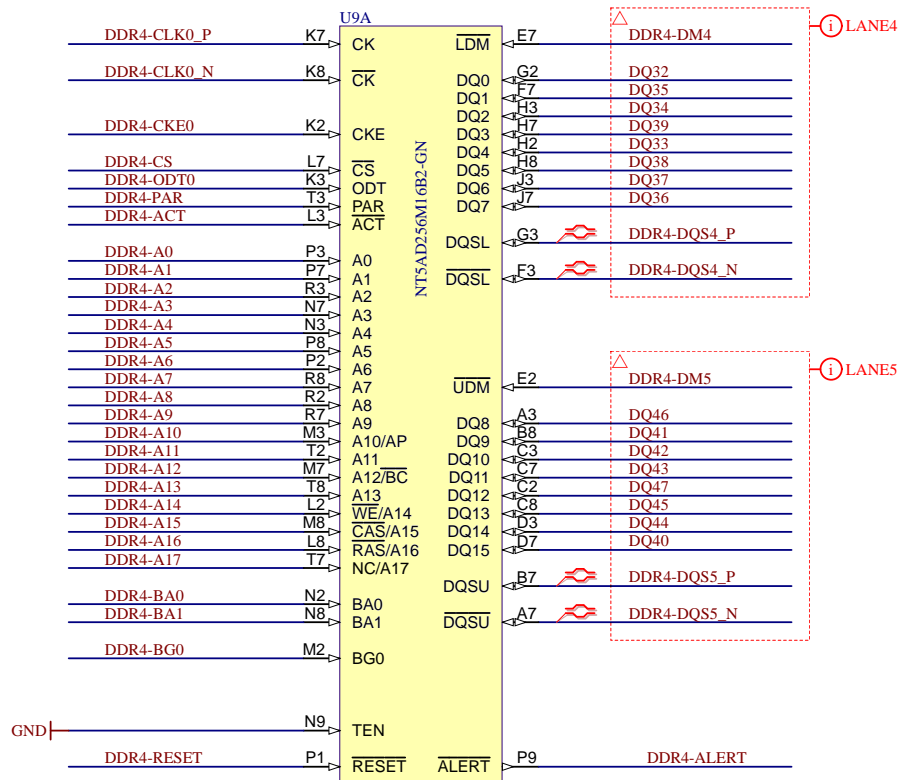
B

C

C

D

D



Title: TE0808 - DDR4_3_RAM		
A4	Number: TE0808 PROTO	Rev. 02
Date: 2016-03-09	Copyright: Trenz Electronic GmbH / TT	Page20 of 27
Filename: DDR4-RAM_3.SchDoc		

1

2

3

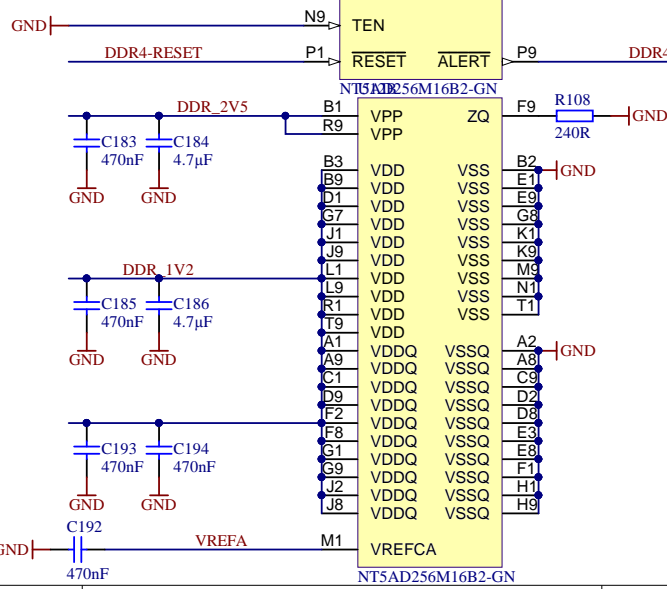
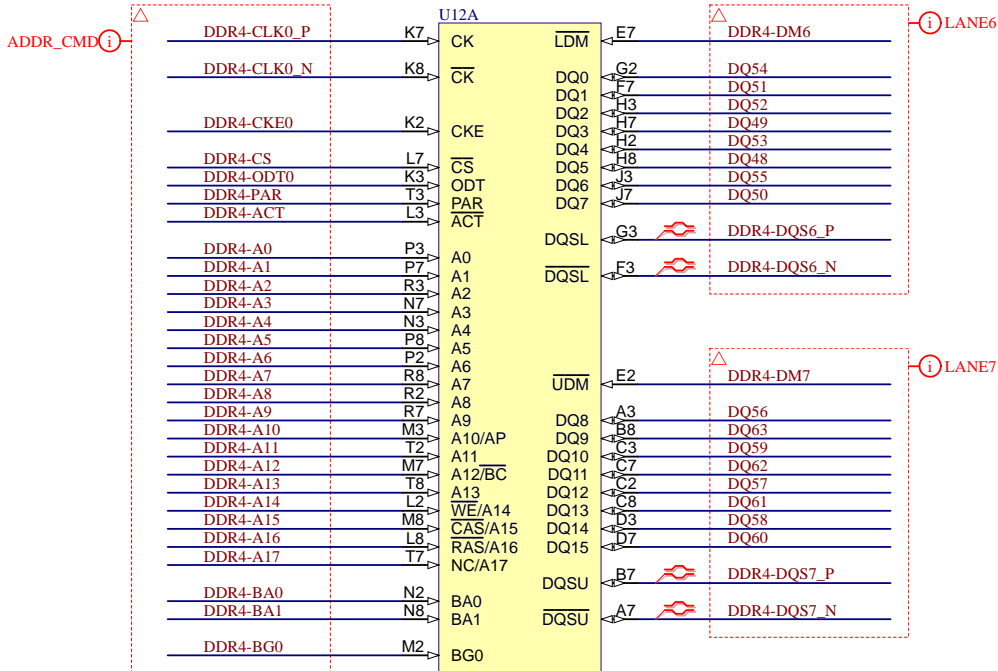
4

1

2

3

4



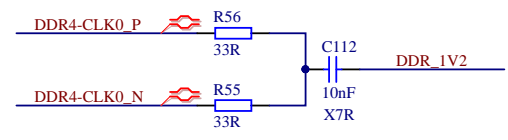
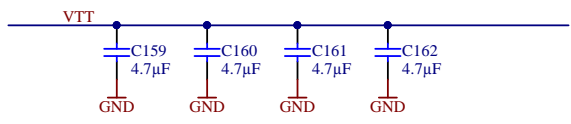
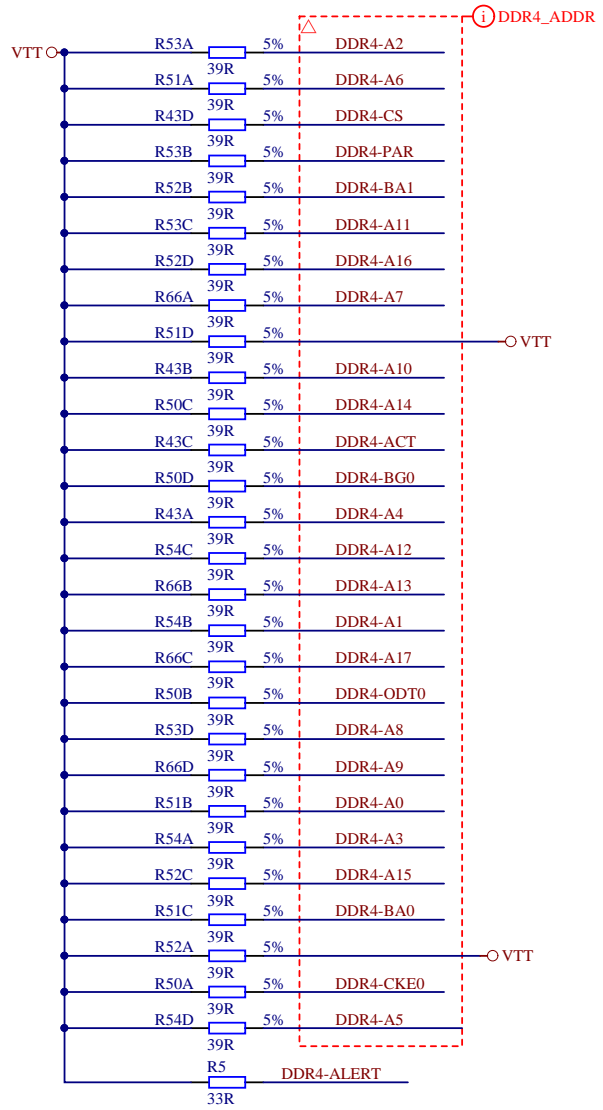
Title: TE0808 - DDR4_4_RAM		
A4	Number: TE0808 PROTO	Rev. 02
Date: 2016-03-09	Copyright: Trenz Electronic GmbH / TT	Page 21 of 27
Filename: DDR4-RAM_4.SchDoc		

1

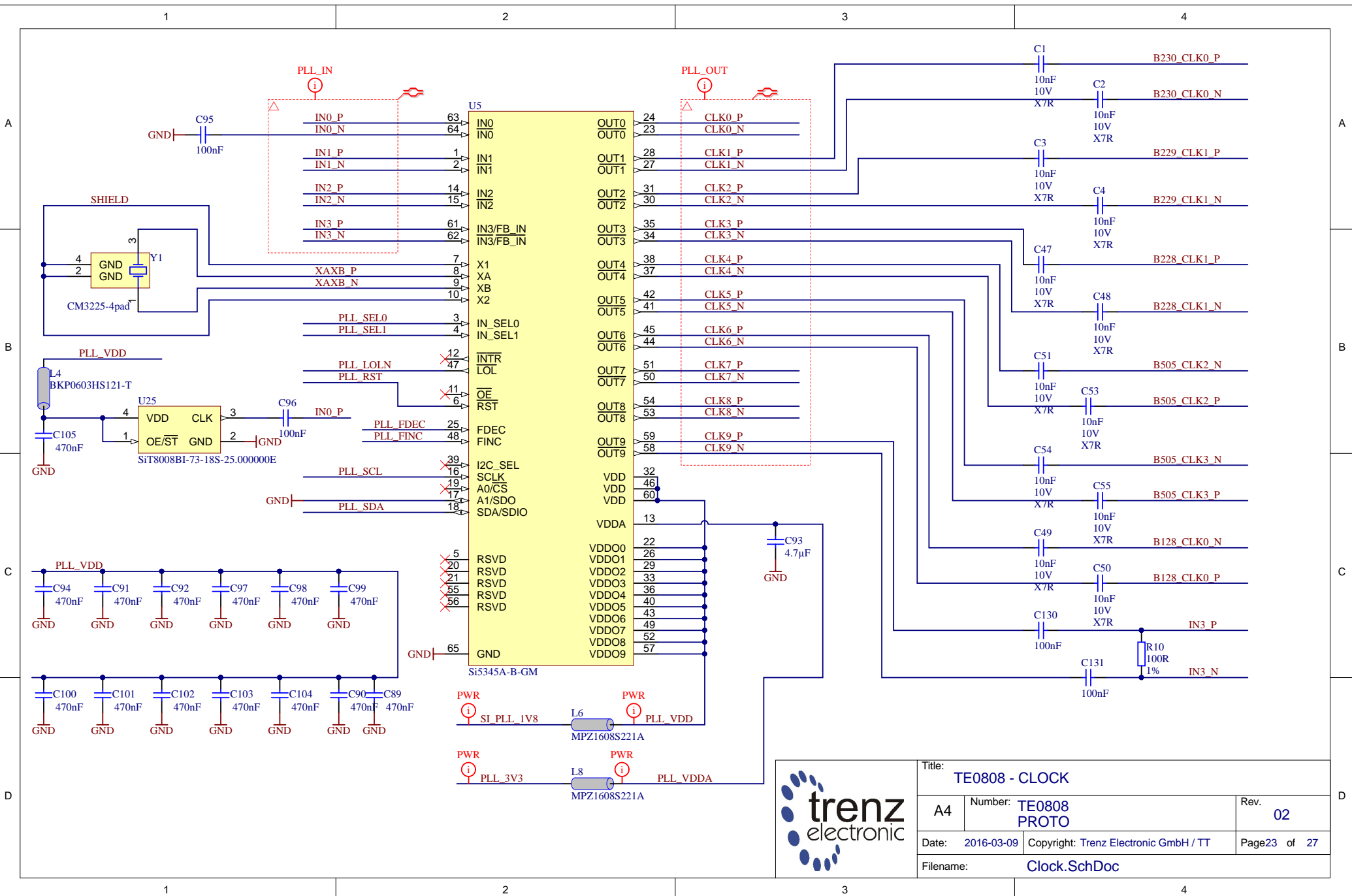
2

3

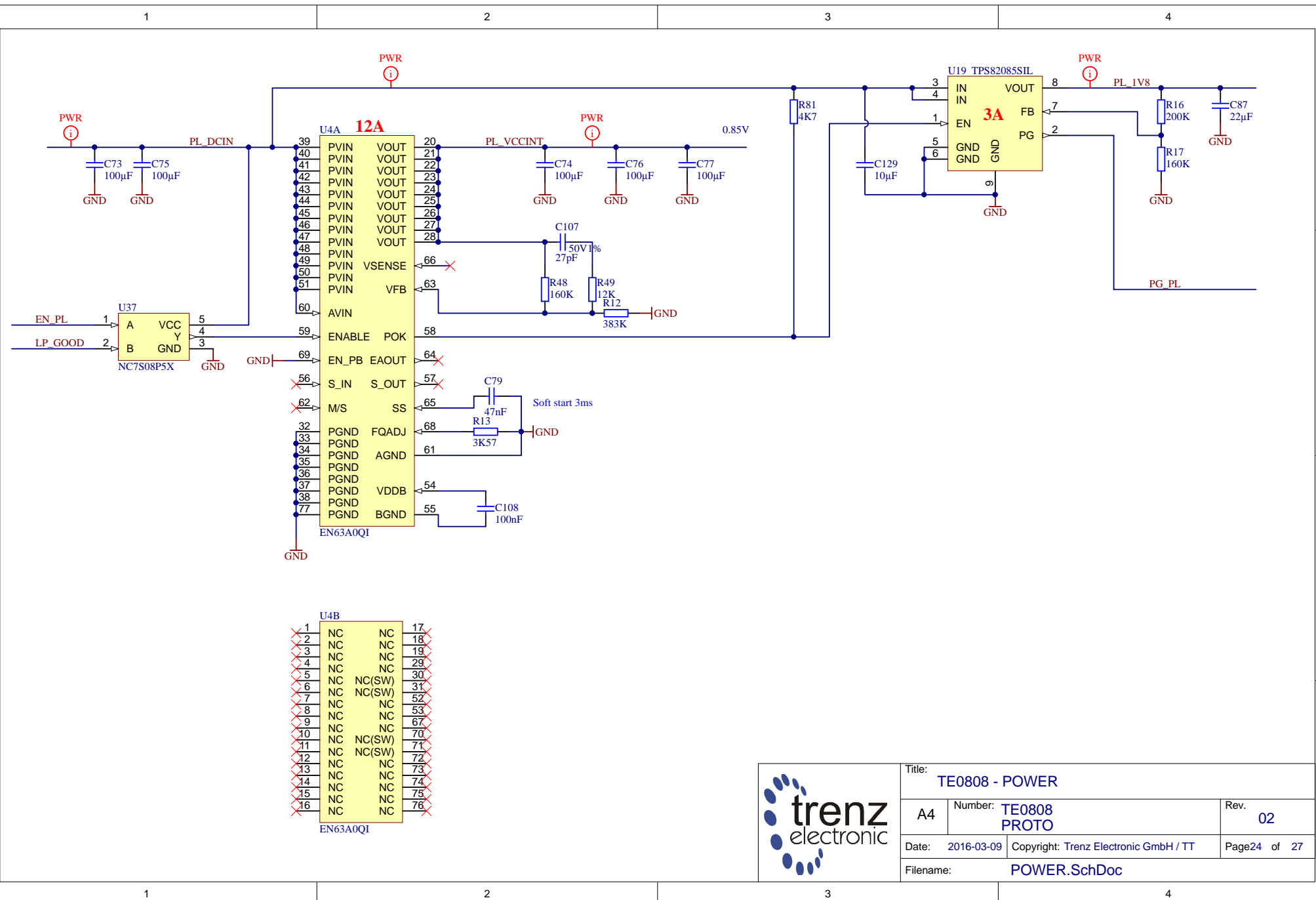
4



Title: TE0808 - DDR4_TERM		
A4	Number: TE0808 PROTO	Rev. 02
Date: 2016-03-09	Copyright: Trenz Electronic GmbH / TT	Page22 of 27
Filename: DDR4-TERM.SchDoc		



Title: TE0808 - CLOCK		
A4	Number: TE0808 PROTO	Rev. 02
Date: 2016-03-09	Copyright: Trenz Electronic GmbH / TT	Page23 of 27
Filename: Clock.SchDoc		



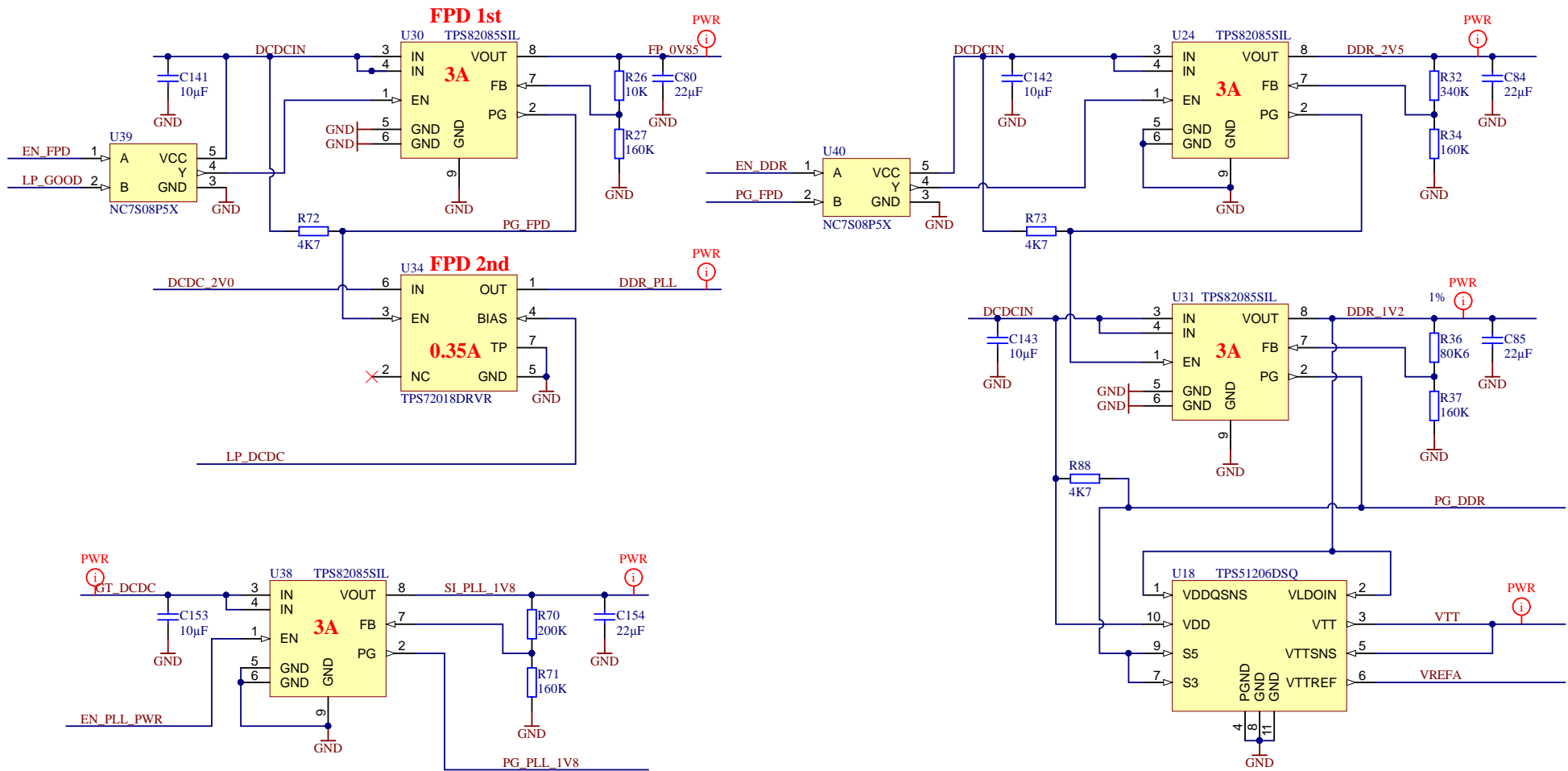
U4B

1	NC	NC	17
2	NC	NC	18
3	NC	NC	19
4	NC	NC	29
5	NC	NC	30
6	NC	NC(SW)	31
7	NC	NC(SW)	52
8	NC	NC	53
9	NC	NC	67
10	NC	NC(SW)	70
11	NC	NC(SW)	71
12	NC	NC(SW)	72
13	NC	NC	73
14	NC	NC	74
15	NC	NC	75
16	NC	NC	76

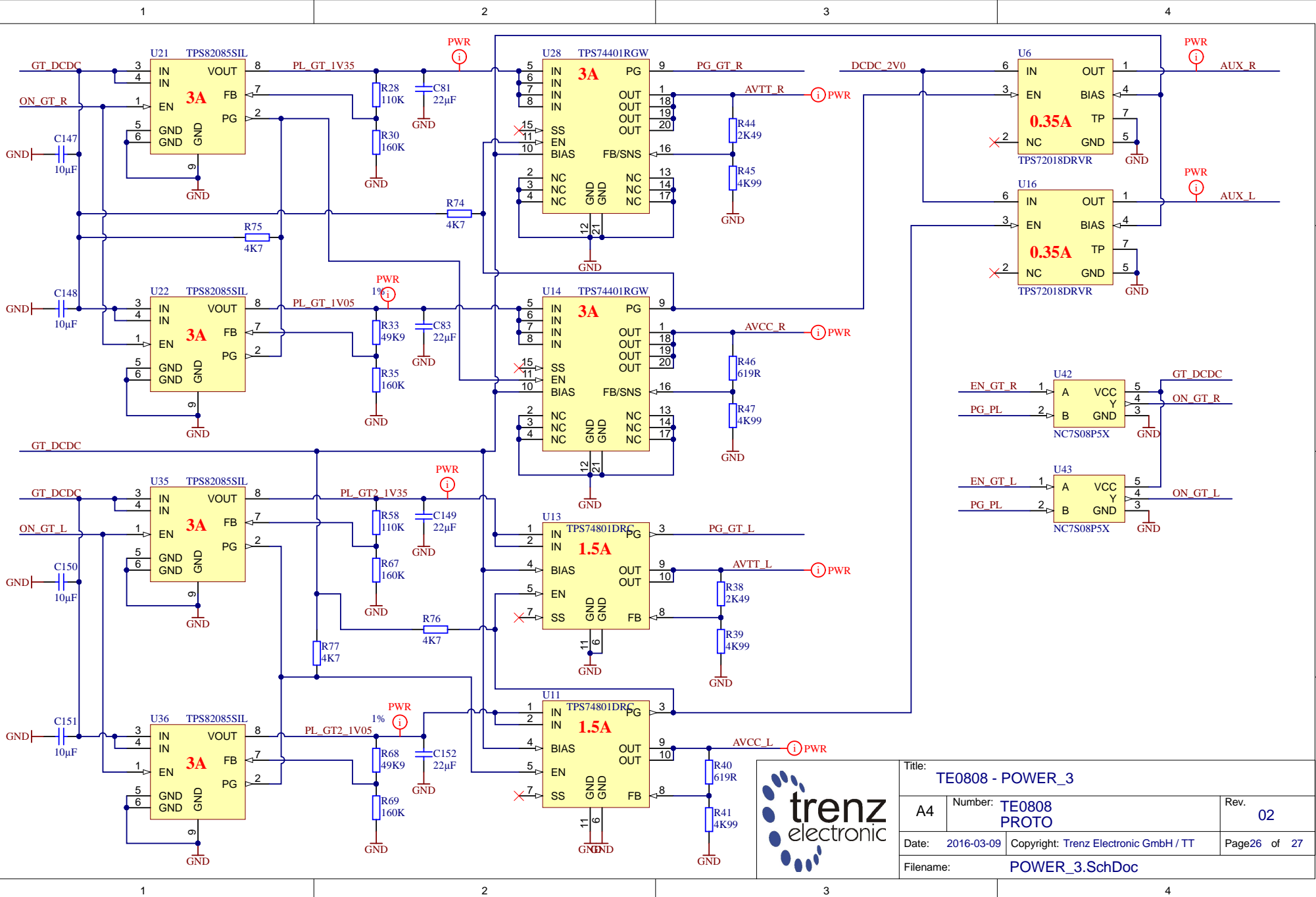
EN63A0QI



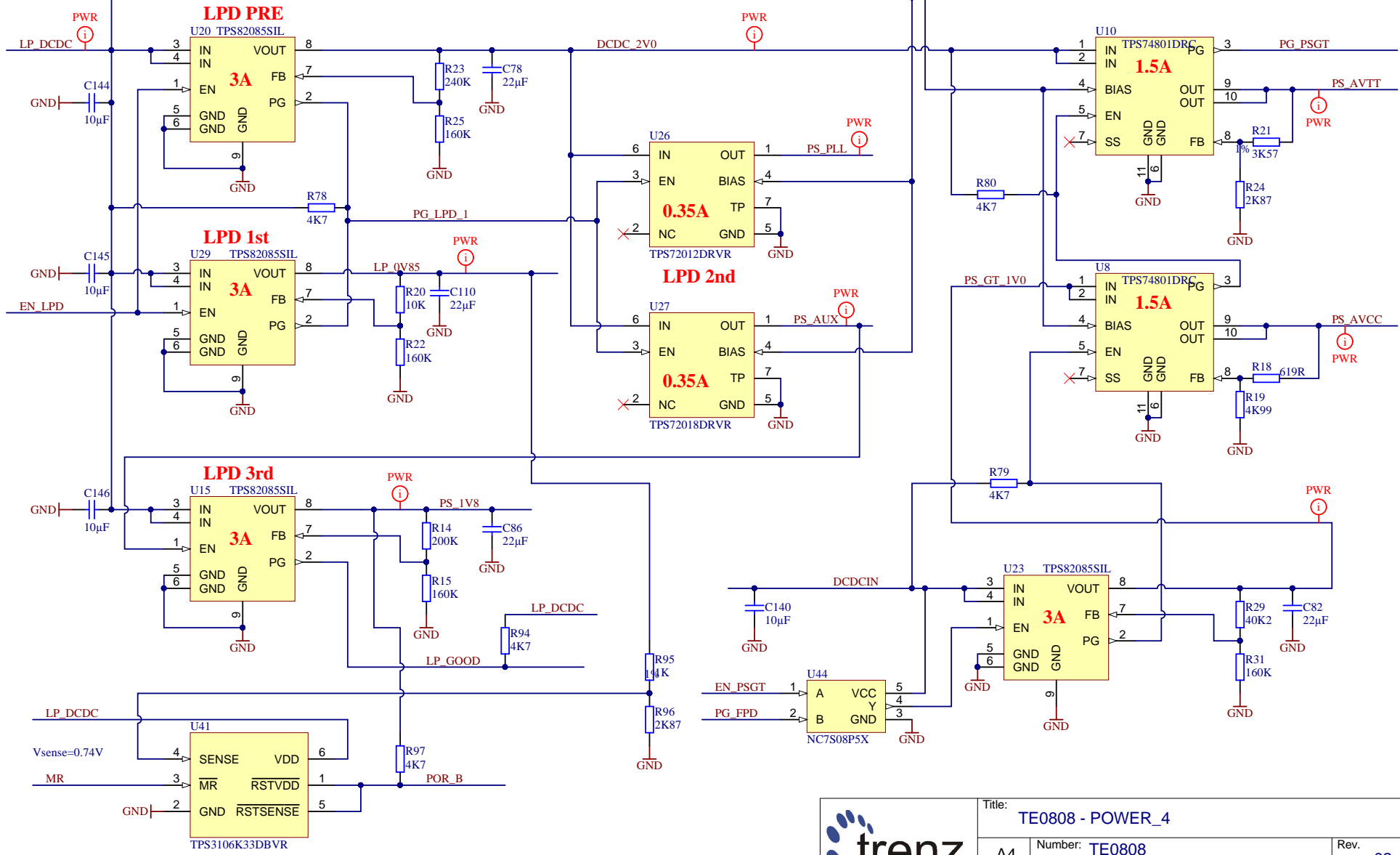
Title: TE0808 - POWER		
A4	Number: TE0808 PROTO	Rev. 02
Date: 2016-03-09	Copyright: Trenz Electronic GmbH / TT	Page24 of 27
Filename: POWER.SchDoc		




Title: TE0808 - POWER_2		
A4	Number: TE0808 PROTO	Rev. 02
Date: 2016-03-09	Copyright: Trenz Electronic GmbH / TT	Page 25 of 27
Filename: POWER_2.SchDoc		



Title: TE0808 - POWER_3		
A4	Number: TE0808 PROTO	Rev. 02
Date: 2016-03-09	Copyright: Trenz Electronic GmbH / TT	Page26 of 27
Filename: POWER_3.SchDoc		



	Title: TE0808 - POWER_4	
	A4	Number: TE0808 PROTO
	Date: 2016-03-09	Copyright: Trenz Electronic GmbH / TT
	Filename: POWER_4.SchDoc	

Rev. 02

Page 27 of 27